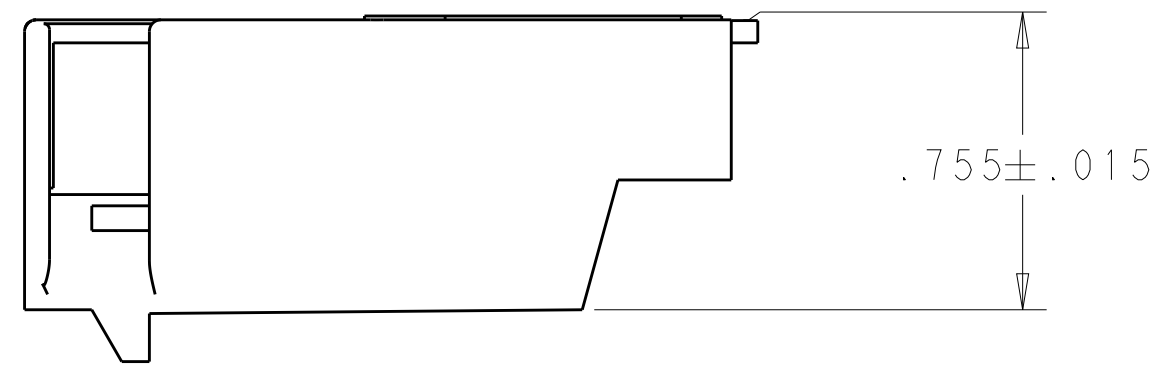
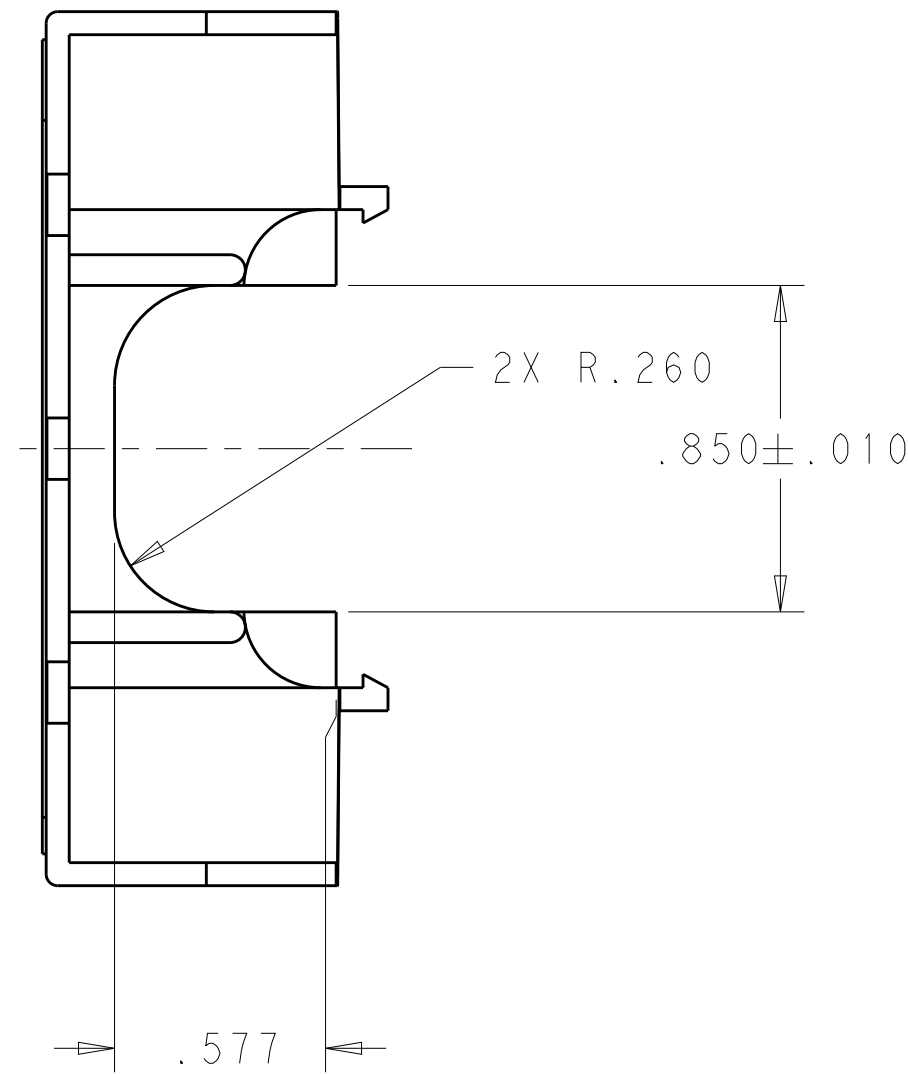
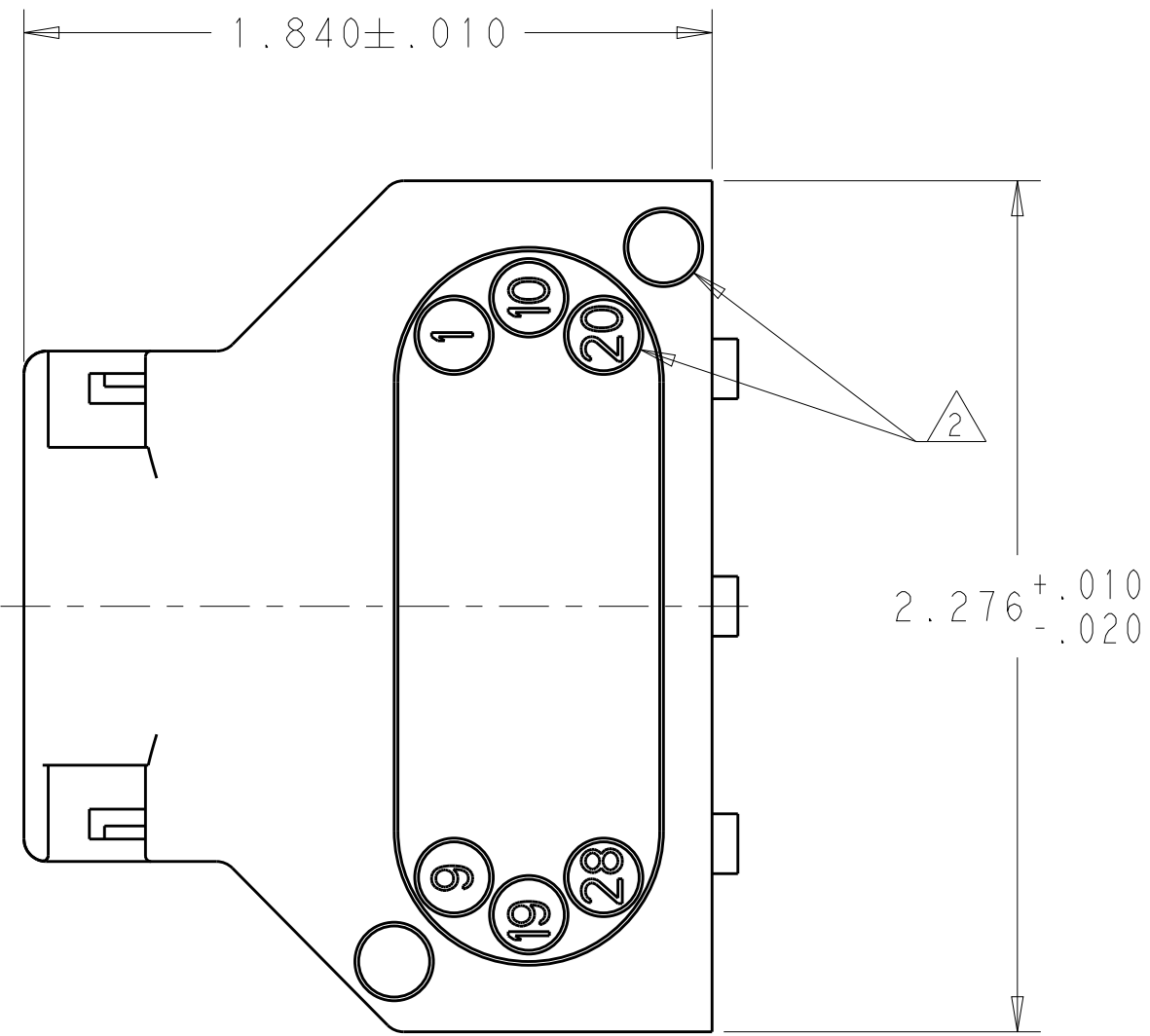



THIS DRAWING IS UNPUBLISHED. RELEASED FOR PUBLICATION 20  
 © COPYRIGHT 20 BY - ALL RIGHTS RESERVED.

LOC	DIST	REVISIONS					
CM	00	P	LTR	DESCRIPTION	DATE	DWN	APVD
			H1	REV PER ECO-12-015596	11OCT2012	RGV	DCS



- CUMMINS ELECTRONICS MUST BE INFORMED BY WAY OF A PRODUCT CHANGED IDENTIFICATION OF ALL CHANGES TO THE TE CUSTOMER DRAWINGS.
- CIRCUIT IDENTIFICATION.
- PACKAGE BULK, 100 PIECES PER.

212977-1  
 PART NUMBER

THIS DRAWING IS A CONTROLLED DOCUMENT.		DWN R. VESTAL 09AUG2012	 TE Connectivity	
DIMENSIONS: INCHES		CHK D. STRAUSSER 09AUG2012		
TOLERANCES UNLESS OTHERWISE SPECIFIED:		APVD D. STRAUSSER 09AUG2012	NAME COVER, STRAIN RELIEF, PLUG, 28 POSITION, ECMSC	
0 PLC ± 1 PLC ± 2 PLC ± 3 PLC ±.005 4 PLC ± ANGLES ±0° 30' FINISH		PRODUCT SPEC -	SIZE A200779	DRAWING NO C-212977
MATERIAL THERMOPLASTIC, BLACK		APPLICATION SPEC -	RESTRICTED TO -	SCALE 2:1
		WEIGHT -	SHEET 1 OF 1	
		CUSTOMER DRAWING	REV H1	

## X-ON Electronics

Largest Supplier of Electrical and Electronic Components

*Click to view similar products for [Automotive Connectors](#) category:*

*Click to view products by [TE Connectivity](#) manufacturer:*

Other Similar products are found below :

[003-018-000](#) [60403001](#) [60993906-B](#) [M902-2131](#) [M902-2161](#) [72.330.1035.1](#) [73.353.4028.0](#) [F119300-B](#) [F166900](#) [F258300-B](#) [F358300-B](#)  
[F407400](#) [F444110](#) [F487000](#) [F509500B-B](#) [827153-1](#) [8N1515-32-24P](#) [9-1326729-8](#) [925474-1](#) [928905-1](#) [964562-4](#) [968782-1](#) [GT17SA-8DS-](#)  
[HU](#) [98891-1012](#) [98947-1016](#) [12004147](#) [12004475-L](#) [12010290](#) [12010309-B](#) [12015454](#) [12020219-B](#) [12020308](#) [12041318-B](#) [12052225-L](#)  
[12052466](#) [12059125](#) [12064869](#) [12004327-B](#) [12010503-B](#) [12015308](#) [12015384](#) [12015909](#) [1-21030-1](#) [12041254](#) [12041318](#) [12047946-B](#)  
[12047957](#) [12047957-L](#) [12059473](#) [12066261](#)