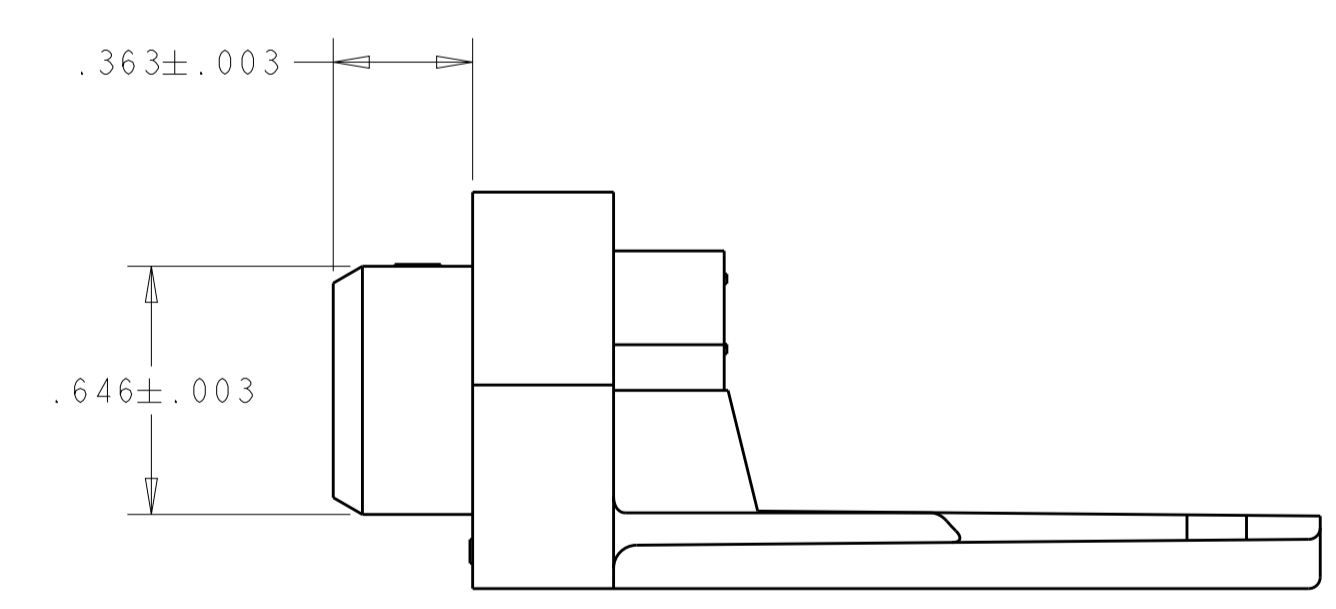
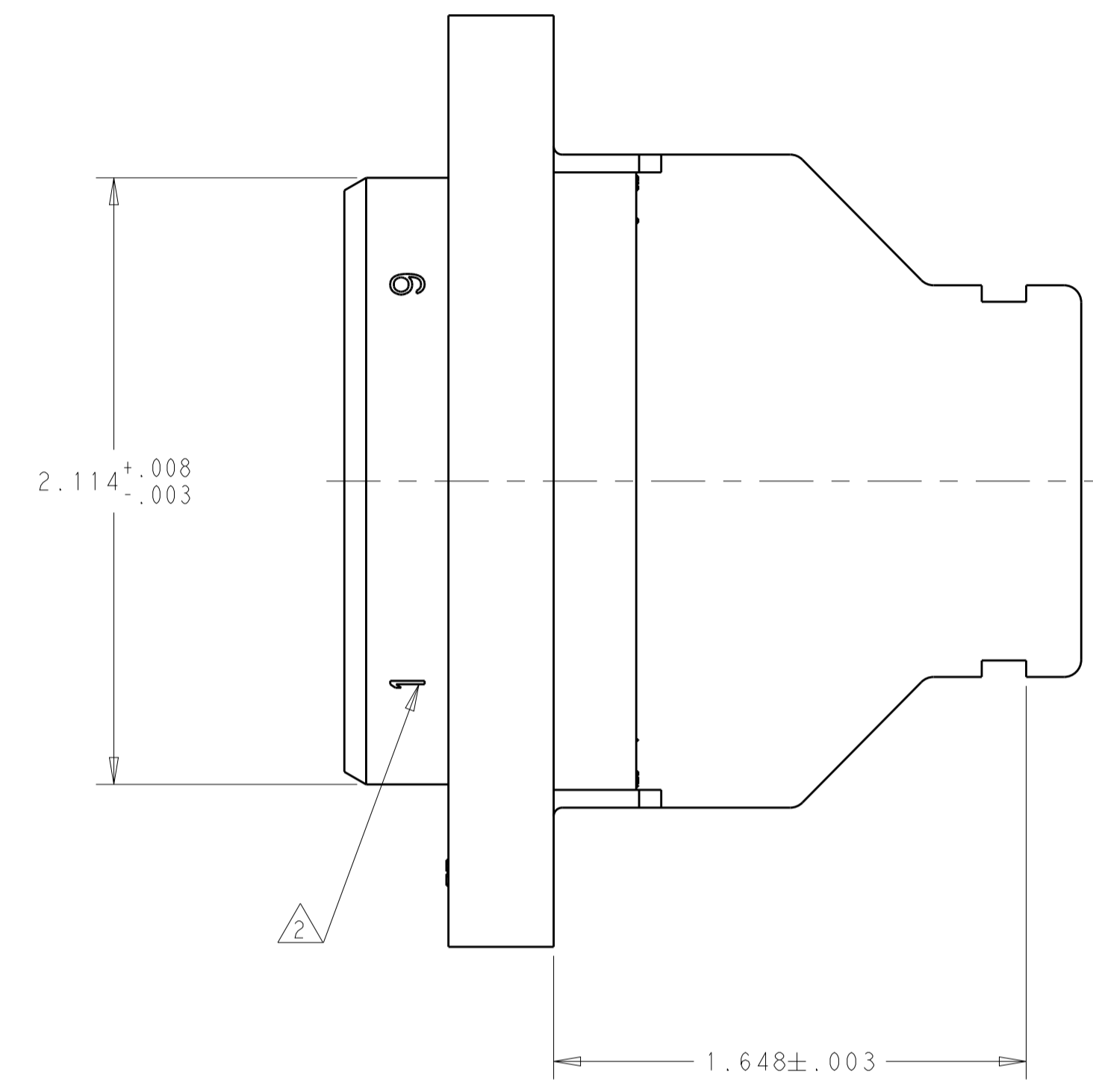
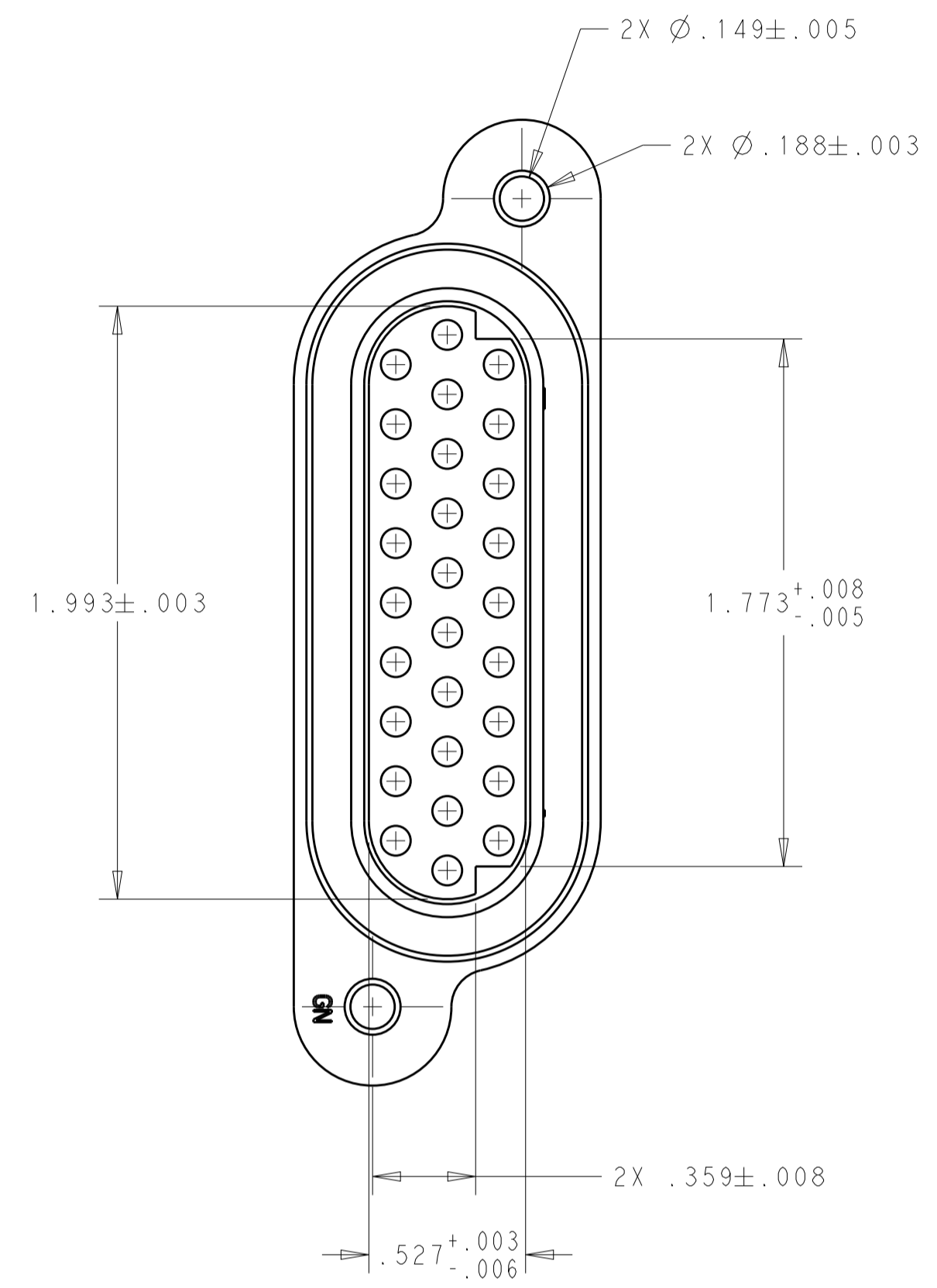
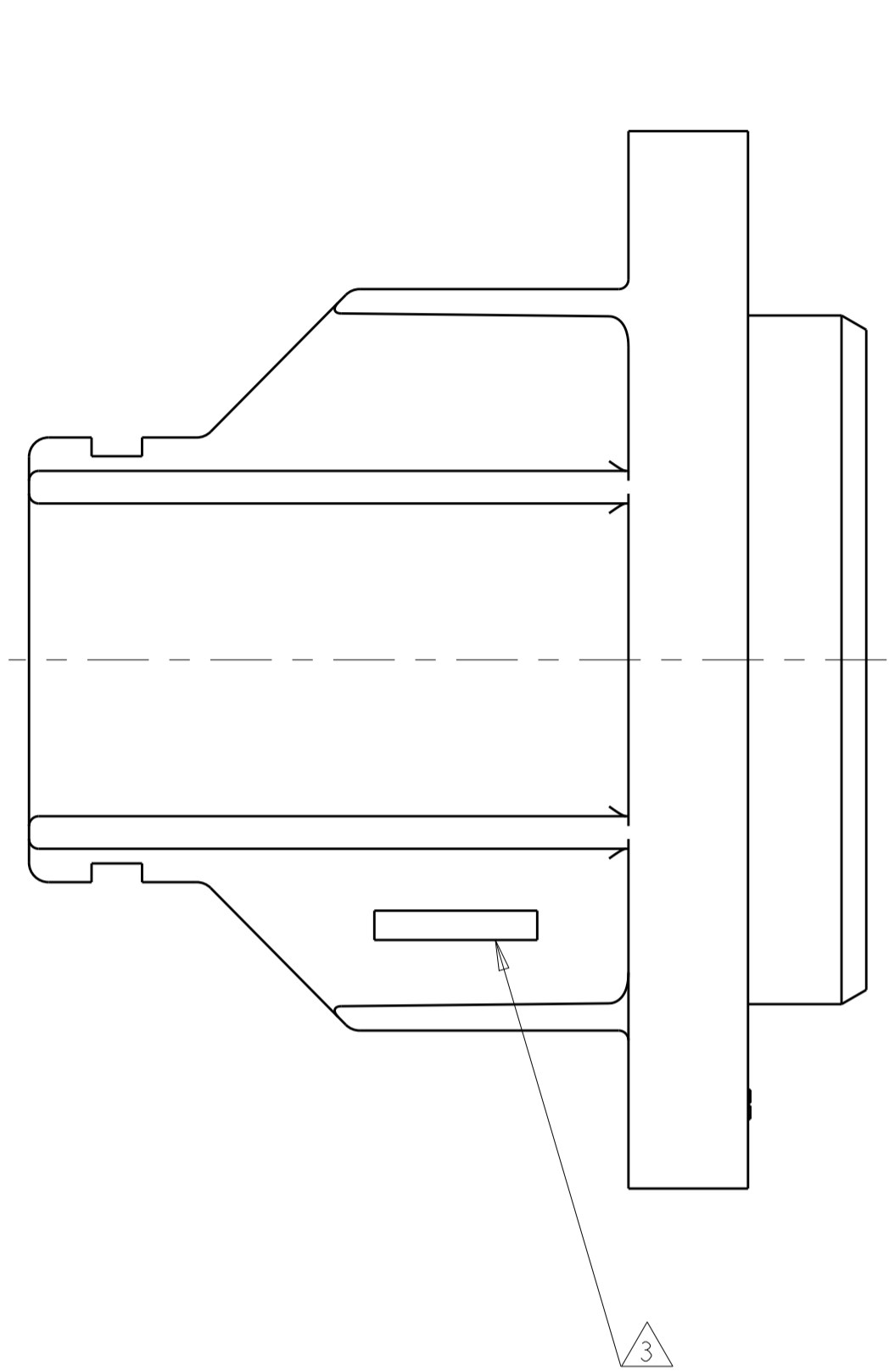


LOC	DIST	REVISIONS				
CM	00	REV	DESCRIPTION	DATE	DWN	APVD
		A	REV PER ECO-12-015596	11OCT2012	RGV	DCS

1. CUMMINS ENGINES MUST BE INFORMED BY WAY OF A PRODUCT CHANGE IDENTIFICATION OF ALL TO THE TE CUSTOMER DRAWINGS.
2. BRAND CIRCUIT IDENTIFICATION NUMBERS 1 & 9 AS SHOWN (-2 ONLY).
3. 4-DIGIT CODE TO BE BRANDED ON THIS SURFACE PER 102-60 (FIRST 2 DIGITS = YEAR, SECOND 2 DIGITS = WEEK). CHARACTERS TO BE .090 HIGH AND READILY LEGIBLE (-2 ONLY).



△ 2	212983-2
-	212983-1
STAMPING	PART NUMBER

THIS DRAWING IS A CONTROLLED DOCUMENT.		DWN R. VESTAL 08AUG2012	
DIMENSIONS: INCHES		CHK D. STRAUSSER 08AUG2012	
TOLERANCES UNLESS OTHERWISE SPECIFIED:		APVD D. STRAUSSER 08AUG2012	NAME PLUG HOUSING, 28 POSITION, ECMSC
0 PLC ±	1 PLC ±	PRODUCT SPEC	SIZE CAGE CODE DRAWING NO RESTRICTED TO
2 PLC ±	3 PLC ±.005	APPLICATION SPEC	A 100779 C=212983
4 PLC ±	ANGLES 40°/30°	WEIGHT	SCALE 2:1 SHEET 1 OF 1 REV A
MATERIAL THERMOPLASTIC BLACK	FINISH	CUSTOMER DRAWING	

## X-ON Electronics

Largest Supplier of Electrical and Electronic Components

*Click to view similar products for [Automotive Connectors](#) category:*

*Click to view products by [TE Connectivity](#) manufacturer:*

Other Similar products are found below :

[003-018-000](#) [60403001](#) [60993906-B](#) [M902-2131](#) [M902-2161](#) [72.330.1035.1](#) [73.353.4028.0](#) [F119300-B](#) [F166900](#) [F258300-B](#) [F358300-B](#)  
[F407400](#) [F444110](#) [F487000](#) [F509500B-B](#) [827153-1](#) [8N1515-32-24P](#) [9-1326729-8](#) [925474-1](#) [928905-1](#) [964562-4](#) [968782-1](#) [GT17SA-8DS-](#)  
[HU](#) [98891-1012](#) [98947-1016](#) [12004147](#) [12004475-L](#) [12010290](#) [12010309-B](#) [12015454](#) [12020219-B](#) [12020308](#) [12041318-B](#) [12052225-L](#)  
[12052466](#) [12059125](#) [12064869](#) [12004327-B](#) [12010503-B](#) [12015308](#) [12015384](#) [12015909](#) [1-21030-1](#) [12041254](#) [12041318](#) [12047946-B](#)  
[12047957](#) [12047957-L](#) [12059473](#) [12066261](#)