

4

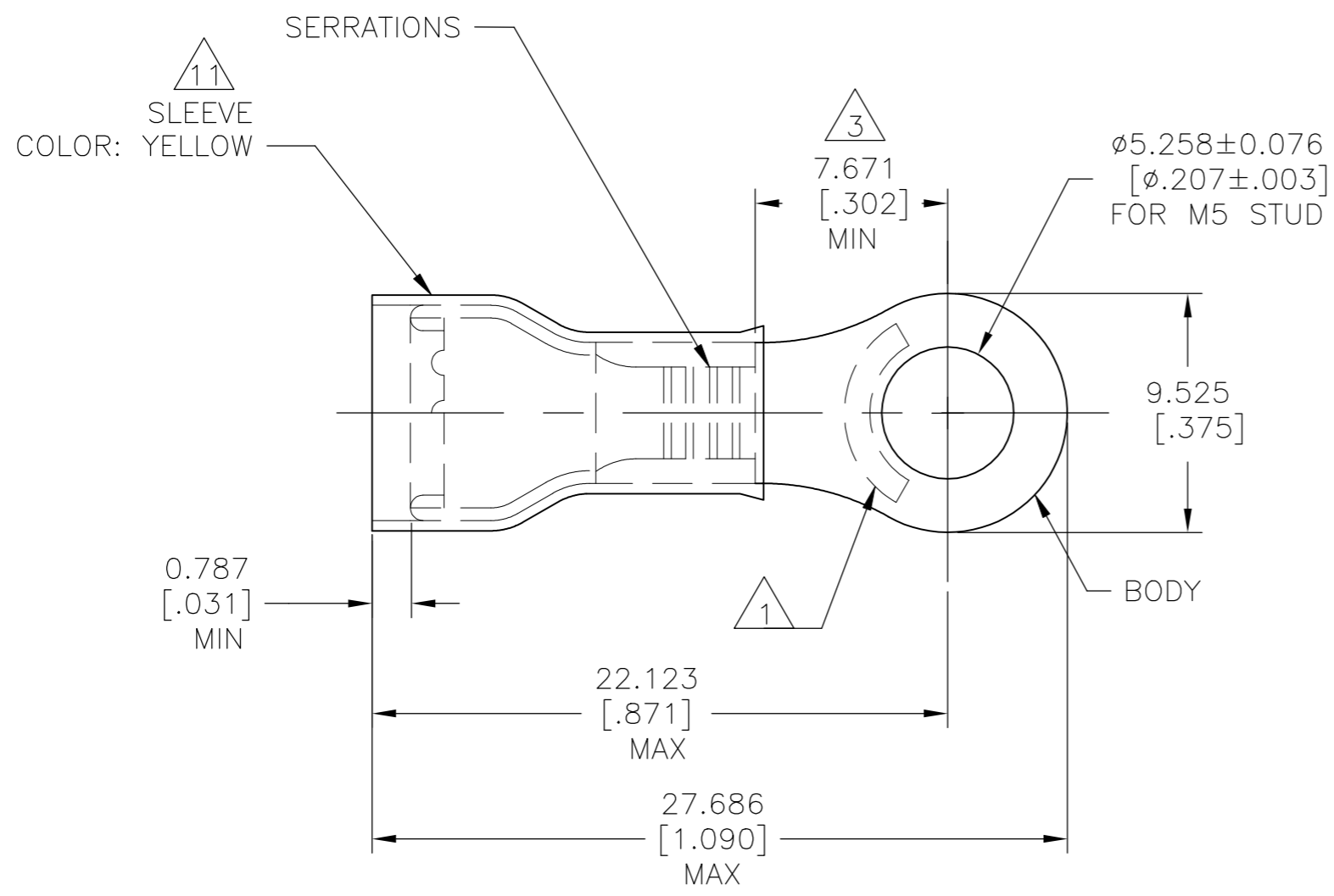
3

2

1

THIS DRAWING IS UNPUBLISHED. RELEASED FOR PUBLICATION
 © COPYRIGHT - By - ALL RIGHTS RESERVED.

REVISIONS				
P	LTR	DESCRIPTION	DATE	APVD
	B2	REVISED PER ECO-11-004820	11MAR11	RK HMR
	B3	REVISED PER ECO-18-007846	13AUG2018	RS DR
	B4	REVISED PER ECO-18-015552	03OCT2018	RS DR



- 1 STAMP "AMP 12-10*", LOCATION APPROX AS SHOWN.
- 2 BODY MATERIAL THICKNESS IS 0.991±0.051 [.039±.002]
- 3 APPLIES FROM THE EDGE OF THE METAL WIRE BARREL TO CENTER OF STUD HOLE.
- 4 NOTE DELETED
- 5 BODY - COPPER PER ASTM B-152
SLEEVE - COPPER PER ASTM B-152
INSULATION - NYLON
- 6 BODY - TIN PL PER ASTM B-545
SLEEVE - TIN PL PER ASTM B-545
INSULATION - COLOR - YELLOW
- 7 105°C [221°F] MAX OPERATING TEMPERATURE.
- 8 300 VOLT MAX
- 9 2.62-6.64mm² [5,180 - 13,100 CMA]
SOLID OR STRANDED
- 10 NOTE DELETED
- 11 INTERNAL EDGE FEATURE MAY BE SOLID OR SCALLOPED

.150-.250	2500	REELED ON TAPE	2-130171-1
.150-.250	500	LOOSE PIECE	130171
WIRE INSULATION OD RANGE	QTY	PACKAGE TYPE	PART NO

THIS DRAWING IS A CONTROLLED DOCUMENT.		DWN jr ruth 20FEB06	STE TE Connectivity Ltd.	
DIMENSIONS: mm [INCHES]		CHK T MICHIELUTTI 20FEB06		
TOLERANCES UNLESS OTHERWISE SPECIFIED:		APVD T MICHIELUTTI 20FEB06	NAME	
0 PLC ± -		PRODUCT SPEC	TERMINAL RING TONGUE, PIDG, WIRE SIZE 12-10 AWG	
1 PLC ± -		APPLICATION SPEC	-	
2 PLC ± -		114-2157	SIZE	RESTRICTED TO
3 PLC ± .008		WEIGHT -	A3	-
4 PLC ± -		CUSTOMER DRAWING	CAGE CODE 00779	DRAWING NO 130171
ANGLES ± 5°		SCALE 4:1	SHEET 1 OF 1	REV B4
MATERIAL 5	FINISH 6			

X-ON Electronics

Largest Supplier of Electrical and Electronic Components

Click to view similar products for [Terminals](#) category:

Click to view products by [TE Connectivity](#) manufacturer:

Other Similar products are found below :

[00-054007-01074-6](#) [00-054007-70206-1](#) [00-054007-70210-8](#) [00-054007-70217-7](#) [00-054007-70226-9](#) [00-054007-70228-3](#) [00-054007-70248-1](#) [00-054007-70256-6](#) [00-054007-70301-3](#) [00-054007-70316-7](#) [0-0320562-0](#) [00-054007-49560-4](#) [00-054007-70209-2](#) [00-054007-70225-2](#) [00-054007-70227-6](#) [00-054007-70231-3](#) [00-054007-70241-2](#) [00-054007-70242-9](#) [00-054007-70244-3](#) [00-054007-70246-7](#) [00-054007-70263-4](#) [00-054007-70288-7](#) [00-054007-70290-0](#) [00-054007-70300-6](#) [00-054007-70304-4](#) [01-2065-1-0216](#) [01-2900-1-04412](#) [00581P0075](#) [600TS-10](#) [60205-1](#) [604200-1](#) [605601-1](#) [60598-1-CUT-TAPE](#) [61314-6-C](#) [61810-3](#) [61-S](#) [61-SN](#) [626-0194](#) [62-NBM-A](#) [62-SN](#) [62-SP](#) [63-S](#) [640179-1](#) [M55155/059I03](#) [M55155/079C01](#) [M55155/099H02](#) [M55155/109H01](#) [M55155/109H02](#) [M55155/12XH05](#) [M55155/16XH02](#)