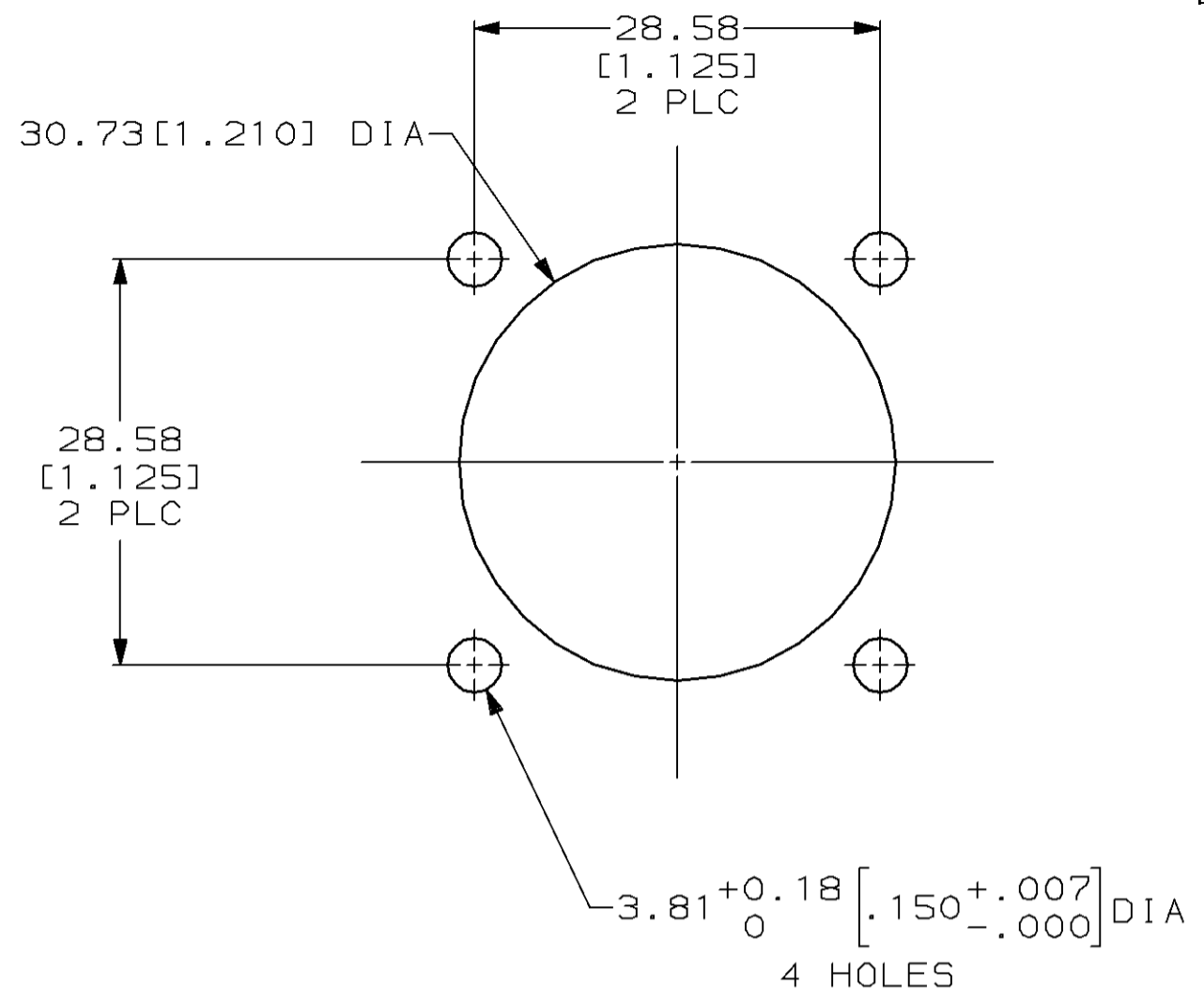
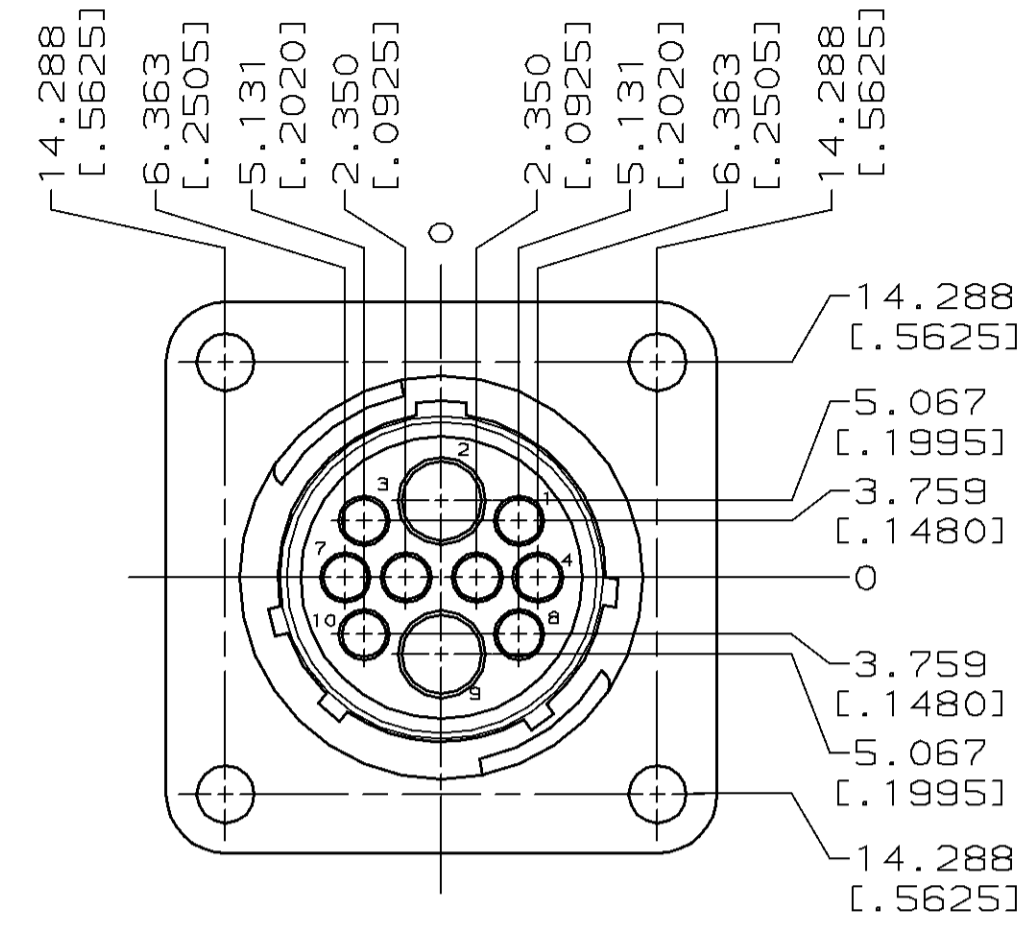


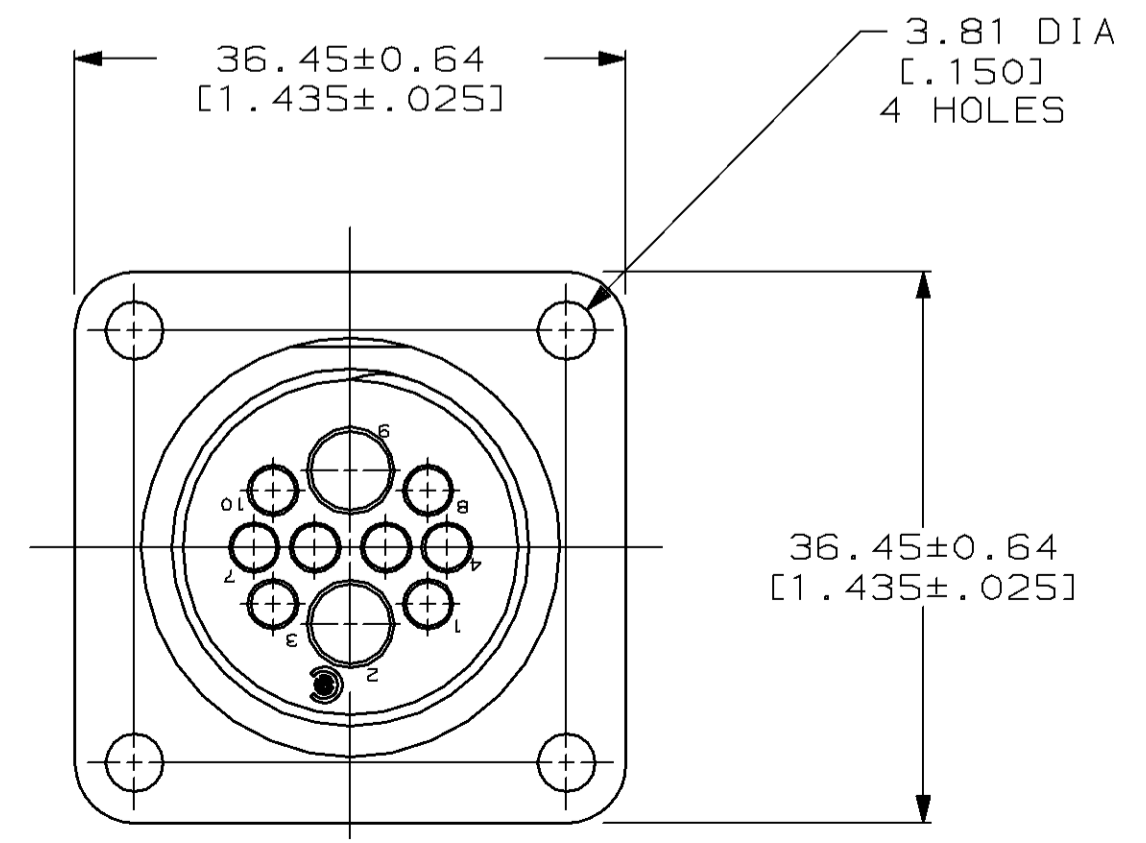
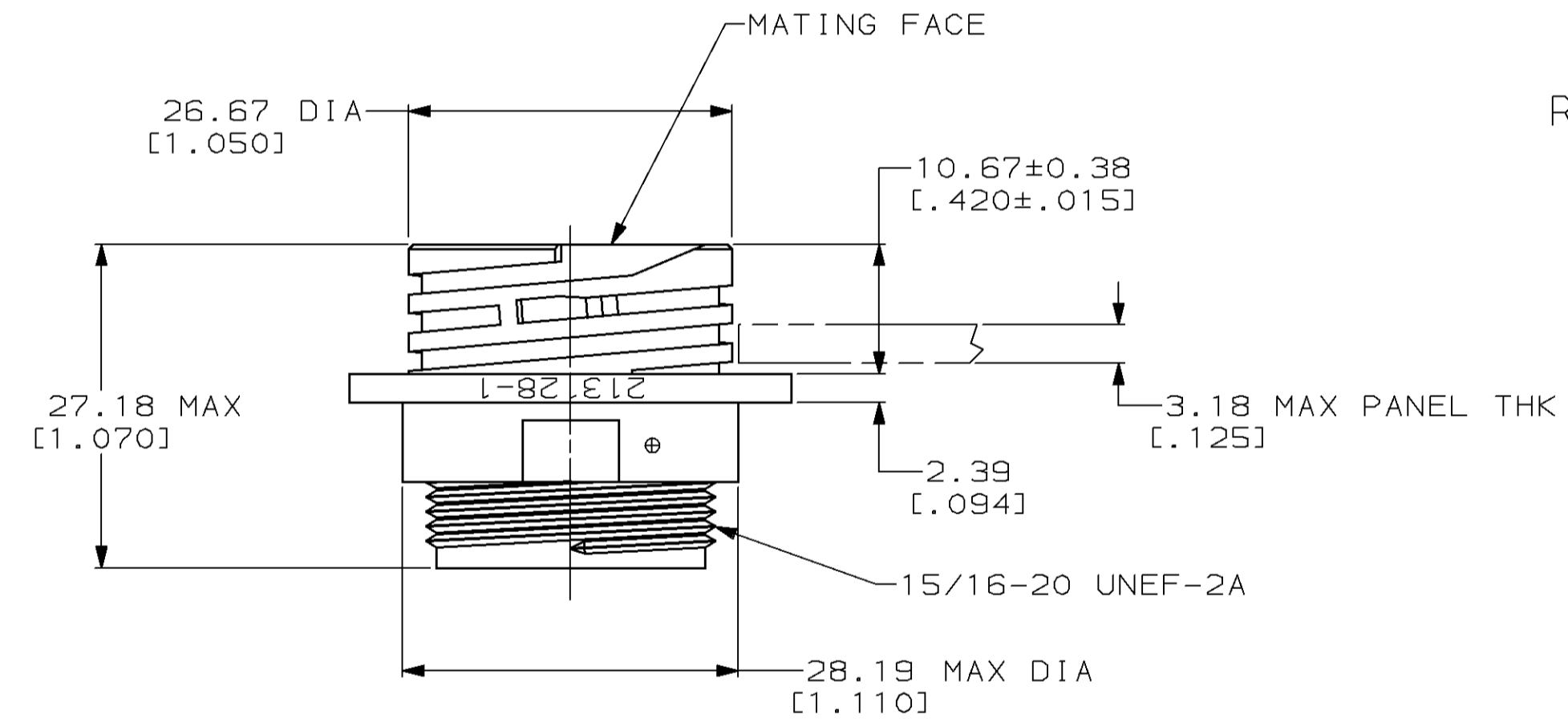
THIS DRAWING IS UNPUBLISHED. RELEASED FOR PUBLICATION
 BY AMP INCORPORATED. ALL RIGHTS RESERVED.

LOC	DIST	REVISIONS			
P	LTR	DESCRIPTION	DATE	DWN	APVD
BD	35	A	REDRAW ON CAD EC 0020-532-95	05/18/95	-



RECOMMENDED PANEL CUTOUT

1. THIS CONNECTOR WILL ACCEPT TWO TYPE I, SIZE 12 SOCKET CONTACTS AND EIGHT MULTIMATE SOCKET CONTACTS.
2. TYPE I CONTACTS MATE FIRST, BREAK LAST.
3. MAX WIRE INSULATION USED WITH THIS RECEPTACLE IS 2.67 [.105] DIA FOR MULTIMATE SOCKET CONTACTS.



213128-1
 PART NUMBER

THIS DRAWING IS A CONTROLLED DOCUMENT FOR AMP INCORPORATED. IT IS SUBJECT TO CHANGE AND THE CONTROLLING ENGINEERING ORGANIZATION SHOULD BE CONTACTED FOR THE LATEST REVISION.		DWN C. OBERMAN 5-23-95	AMP Incorporated Harrisburg, PA 17105-3608
DIMENSIONS: mm [INCHES]		CHK R. STONE 5-25-95	
TOLERANCES UNLESS OTHERWISE SPECIFIED:		APVD A. FRANTUM 5-25-95	NAME RECEPTACLE, ARR 17-10M, REVERSE SEX, SERIES 4, CLASS A, SQUARE FLANGE, CPC
0 PLC ±- 1 PLC ±- 2 PLC ±0.25 [.010] 3 PLC ±0.250 [.0100] 4 PLC ±- ANGLES ±- FINISH -		PRODUCT SPEC - APPLICATION SPEC -	SIZE A2
MATERIAL NYLON, BLACK		WEIGHT -	CAGE CODE 00779
		CUSTOMER DRAWING	DRAWING NO 213128
		SCALE 2:1	SHEET 1 OF 1
			REV A

213128

A

X-ON Electronics

Largest Supplier of Electrical and Electronic Components

Click to view similar products for [Standard Circular Connector](#) category:

Click to view products by [TE Connectivity](#) manufacturer:

Other Similar products are found below :

[C015](#) [10F006](#) [001](#) [1](#) [5M2530B10P](#) [600259N006](#) [600273N007](#) [600432N009](#) [6280-2PG-519](#) [6280-3PG-311](#) [6280-3SG-311](#) [6280-7SG-3DC](#)
[6280-7SG-522](#) [6282-5PG-311](#) [6282-6PG-519](#) [6282-8SG-311](#) [6283-11](#) [6283-15](#) [6290](#) [6382-2PG-311](#) [6382-2PG-3DC](#) [6382-2SG-321](#) [6382-2SG-3DC](#) [6382-4SG-516](#) [67-03E20-37P](#) [681-PMG](#) [CXS3102A14S2P](#) [CXS3102A181S](#) [CXS3106A14S6S](#) [MB12P-1](#) [MB12R-6](#) [7251-2PG-300](#) [7251-2SG-300](#) [7251-4PG-300](#) [7251-4SG-300](#) [7251-5PG-300](#) [7251-5SG-300](#) [7251-6SG-300](#) [7251-7PG-300](#) [7251-8PG-300](#) [7271-6SG-300](#) [7282-3PG-300-CH3](#) [73000005663](#) [75-190216-08S](#) [75-190218-10P](#) [75-474118-10P](#) [75-474618-01S](#) [75-474620-07P](#) [799539-000](#) [MI8-SE](#) [80-190222-18P](#) [805-005-07NF11-19PC](#) [805-005-07NF15-7PA](#)