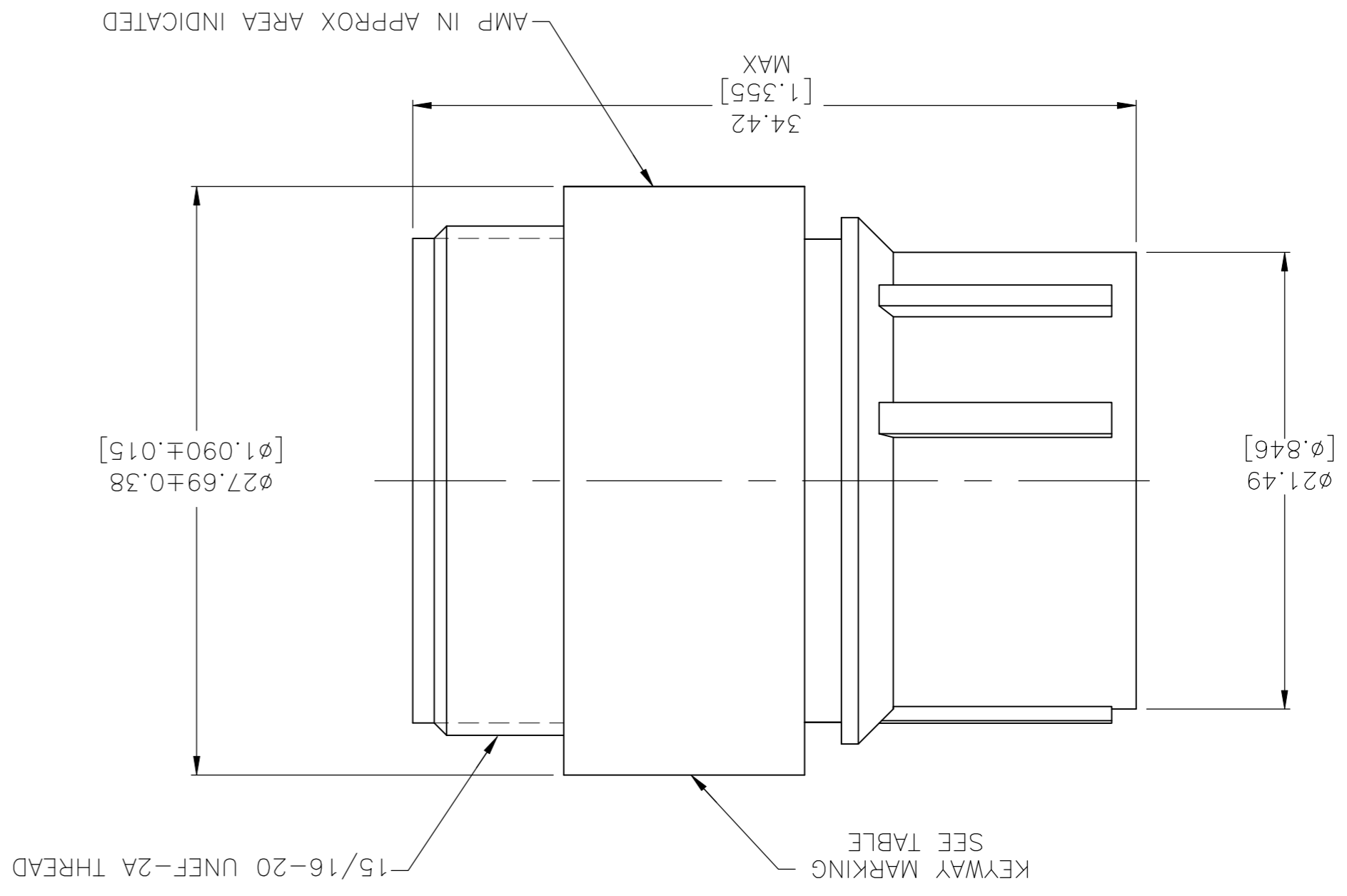
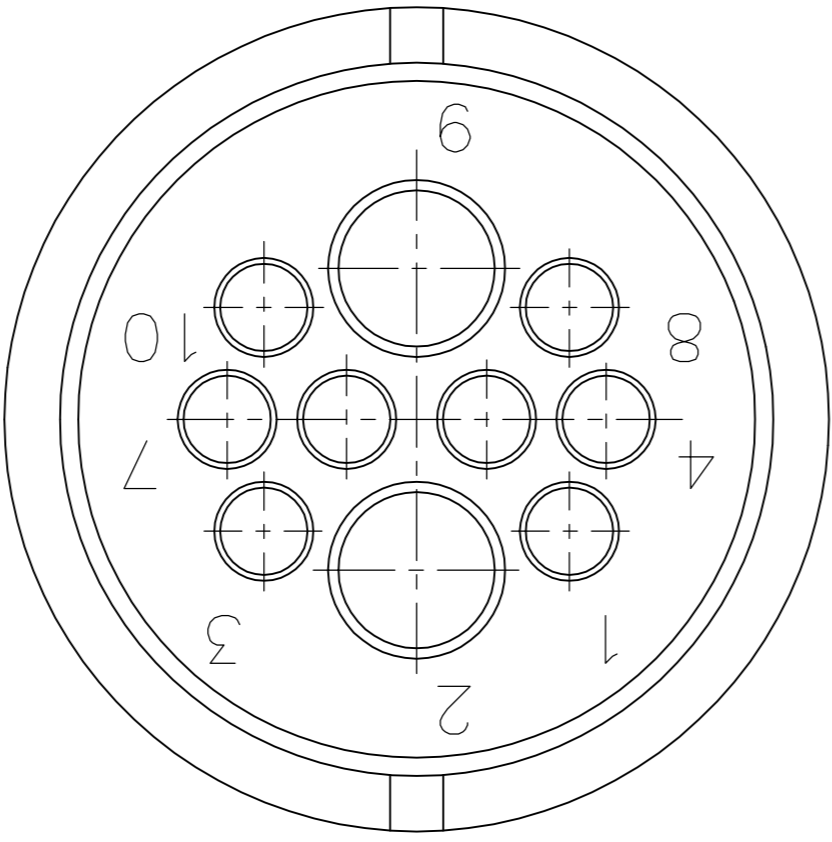


THIS DRAWING IS A CONTROLLED DOCUMENT.		DWN S.WELDON 11/03/99		CHK R.STONE 11-8-99		APVD M.KAPEZYNSKI 11-8-99		NAME		TE Connectivity Ltd.	
DIMENSIONS: mm [INCHES]		TOLERANCES UNLESS OTHERWISE SPECIFIED:		R.STONE		PRODUCT SPEC		APPLICATION SPEC		WEIGHT	
0 PLC ± -		1 PLC ± -		2 PLC ± 0.13 [0.05]		3 PLC ± -		4 PLC ± -		FINISH	
MATERIAL		UL 94V-0 RATED, NYLON		BLACK		CUSTOMER DRAWING		SCALE 4:1		SHEET 1 of 1	
REV B		REV 1		REV 1		REV 1		REV 1		REV 1	

213130-3	4	KEYWAY MARKING	PART NO
213130-2	3	KEYWAY MARKING	213130-1
213130-1	3	KEYWAY MARKING	213130-1

OBSELETE

- 1 THIS PLUG WILL ACCEPT 2 TYPE I, SIZE 12 PIN CONTACTS AND 8 MULTIMATE PIN CONTACTS
- 2 MAXIMUM WIRE INSULATION ACCEPTED BY THIS PLUG IS $\phi 2.67[\phi 1.05]$ FOR MULTIMATE PIN CONTACTS
- 3 WHITE STRIPE INDICATES MAJOR KEYWAY
- 4 WHITE DOT INDICATES MAJOR KEYWAY



REV	DATE	DESCRIPTION	DWN	APVD
B	07MAY2018	REVISED PER ECO-18-006725	RS	MZ
A	08/03/93	OBSELETED - 2 EC 0020-271-93	-	AF

A

B

C

D

213130

1

2

3

4

X-ON Electronics

Largest Supplier of Electrical and Electronic Components

Click to view similar products for [Standard Circular Connector](#) category:

Click to view products by [TE Connectivity](#) manufacturer:

Other Similar products are found below :

[C015](#) [10F006](#) [001](#) [1](#) [5M2530B10P](#) [600259N006](#) [600273N007](#) [600432N009](#) [6280-2PG-519](#) [6280-3PG-311](#) [6280-3SG-311](#) [6280-7SG-3DC](#)
[6280-7SG-522](#) [6282-5PG-311](#) [6282-6PG-519](#) [6282-8SG-311](#) [6283-11](#) [6283-15](#) [6290](#) [6382-2PG-311](#) [6382-2PG-3DC](#) [6382-2SG-321](#) [6382-2SG-3DC](#) [6382-4SG-516](#) [67-03E20-37P](#) [681-PMG](#) [CXS3102A14S2P](#) [CXS3102A181S](#) [CXS3106A14S6S](#) [MB12P-1](#) [MB12R-6](#) [7251-2PG-300](#) [7251-2SG-300](#) [7251-4PG-300](#) [7251-4SG-300](#) [7251-5PG-300](#) [7251-5SG-300](#) [7251-6SG-300](#) [7251-7PG-300](#) [7251-8PG-300](#) [7271-6SG-300](#) [7282-3PG-300-CH3](#) [73000005663](#) [75-190216-08S](#) [75-190218-10P](#) [75-474118-10P](#) [75-474618-01S](#) [75-474620-07P](#) [799539-000](#) [MI8-SE](#) [80-190222-18P](#) [805-005-07NF11-19PC](#) [805-005-07NF15-7PA](#)