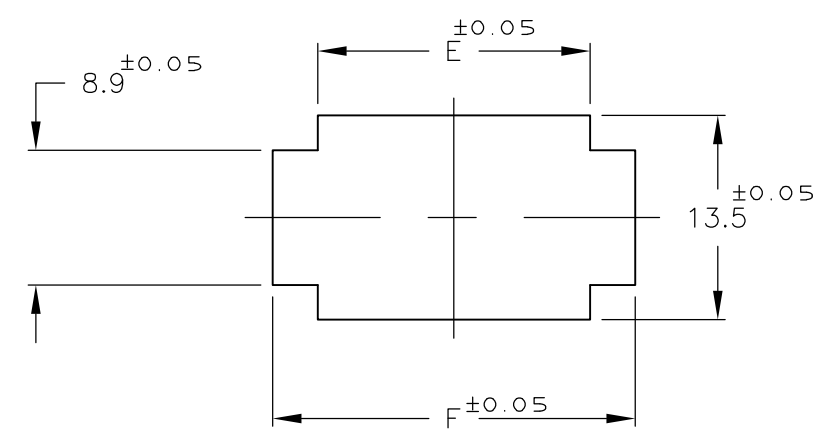


THIS DRAWING IS UNPUBLISHED. RELEASED FOR PUBLICATION  
 © COPYRIGHT 2014 Tyco Electronics Japan G.K. ALL RIGHTS RESERVED.

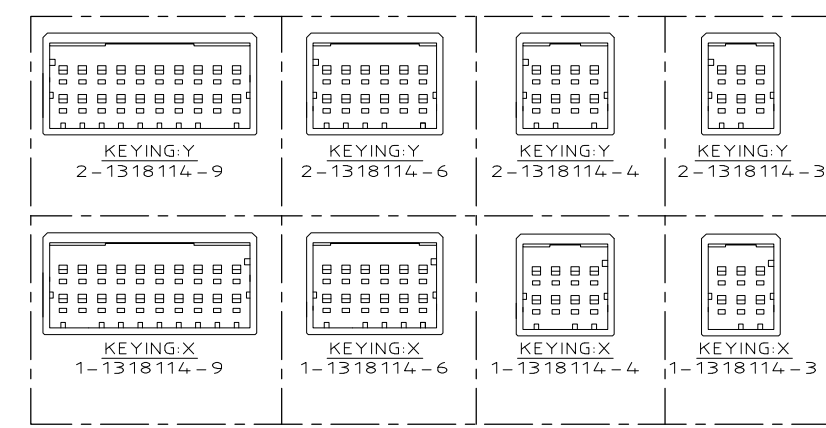
LOC	DIST	REVISIONS			
P	LTR	DESCRIPTION	DATE	DWN	APVD
J	ZDI	B	REVISED	06JUN2014	H.O N.Y

- 注記
- 1 材料：ハウジング：ガラス入り熱可塑性ポリエステル（94V-0），色：黒
  - 2 金属パネルの場合、コネクタ取付け方向をパンチ加工方向にしてください。
  - 3 プラスチックパネルの場合、穴端部にRなき様ご配慮ください。
  - 4 ~~ハウジング全面にテフロン塗装の事。~~

- NOTES
- 1 MATERIAL: HOUSING: GLASS FILED THERMO PLASTIC, POLYESTER(94V-0), COLOR: BLACK
  - 2 INSERT CONN FROM PRESS DIRECTION SIDE FOR METAL PANEL.
  - 3 EDGE OF THICKNESS WAY MUST NOT ROUND FOR MOLDED PANEL.
  - 4 ~~TO COAT ALL SURFACE OF HOUSING WITH TEFLON.~~



パネル加工推奨寸法図  
 RECOMMENDED PANEL LAYOUT  
 (適用パネル厚：0.8-2.0)  
 (APPLICABLE PANEL THICKNESS: 0.8-2.0)

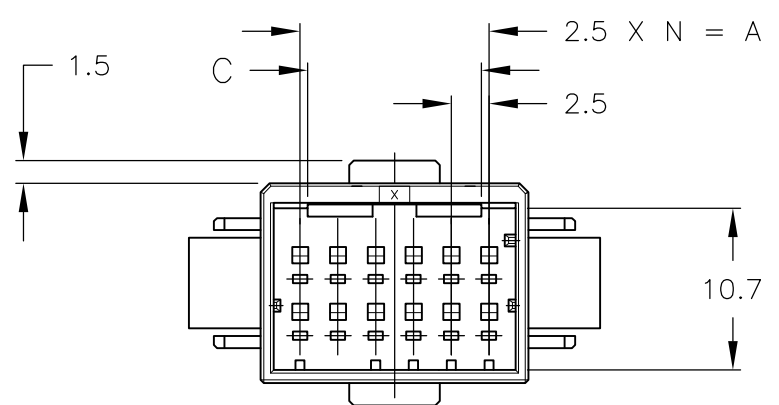
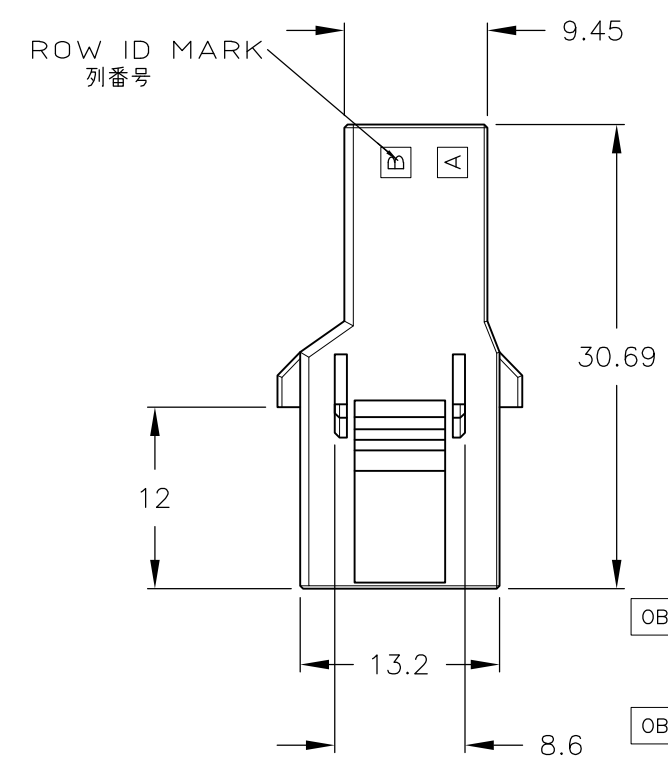
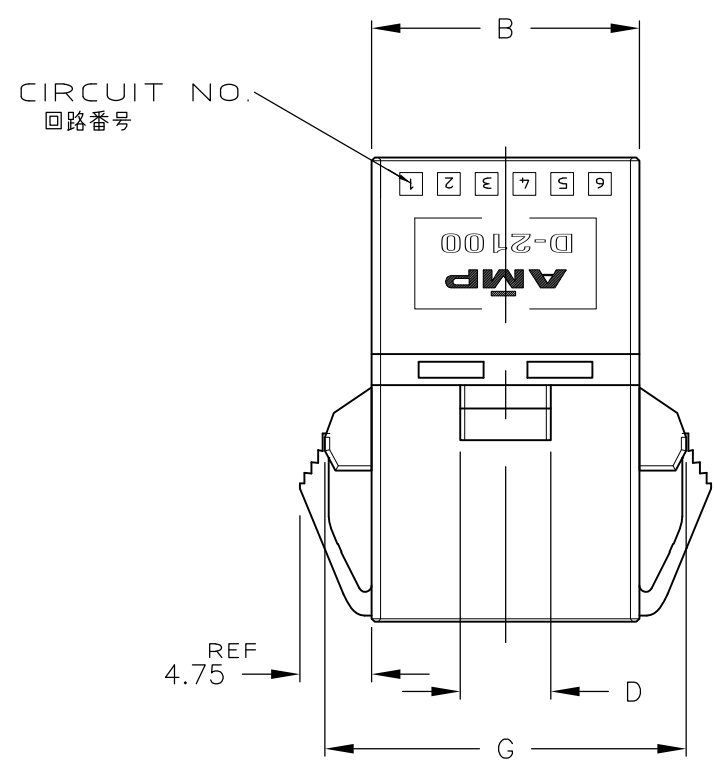
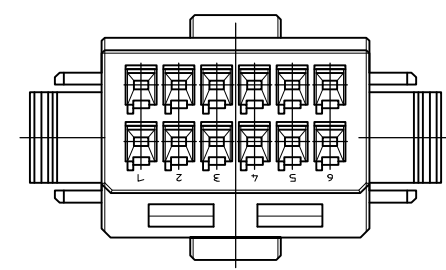


TOLERANCES UNLESS OTHERWISE SPECIFIED:

一般公差

30 IN	10 IN	±0.3
100 IN	>10	±0.35
	>30	±0.4
	ANGLE	±3°

OBSOLETE	△	22.5	27.7	11.5	6	28	34.0	33.88	9	20	5-1318114-9
	-	22.5	27.7	11.5	6	28	34.0	33.88	9	20	2-1318114-9
	-	22.5	27.7	11.5	6	28	34.0	33.88	9	20	1-1318114-9
OBSOLETE	△	12.5	17.7	11.5	6	18	24.0	23.88	5	12	5-1318114-6
	-	12.5	17.7	11.5	6	18	24.0	23.88	5	12	2-1318114-6
	-	12.5	17.7	11.5	6	18	24.0	23.88	5	12	1-1318114-6
OBSOLETE	△	7.5	12.7	4	4	13	19.0	18.88	3	8	5-1318114-4
	-	7.5	12.7	4	4	13	19.0	18.88	3	8	2-1318114-4
	-	7.5	12.7	4	4	13	19.0	18.88	3	8	1-1318114-4
OBSOLETE	△	5	10.2	4	4	10.5	16.5	16.38	2	6	5-1318114-3
	-	5	10.2	4	4	10.5	16.5	16.38	2	6	2-1318114-3
	-	5	10.2	4	4	10.5	16.5	16.38	2	6	1-1318114-3
FINISH		A	B	C	D	E	F	G	N	POS	P/N



THIS DRAWING IS A CONTROLLED DOCUMENT.

DIMENSIONS: mm	TOLERANCES UNLESS OTHERWISE SPECIFIED:	DWN K.IKEDA 7/DEV/'98	<b>STE</b> TE Connectivity
	0 PLC ± - 1 PLC ± - 2 PLC ± - 3 PLC ± - 4 PLC ± - ANGLES ± -	CHK N.MATSUBARA 7/DEC/'98	
MATERIAL	FINISH	APVD I.HASEGAWA 7/DECC/'98	NAME
		PRODUCT SPEC	2列 タブ ハウジング パネルマウント タイプ
		108-5619	DOUBLE ROW TAB (PANEL MOUNT)
		APPLICATION SPEC	DYNAMIC D2100D
		114-5258	SIZE CAGE CODE DRAWING NO RESTRICTED TO
		WEIGHT -	A3 00779 C-1318114
		CUSTOMER DRAWING	SCALE 2:1 SHEET 1 OF 1 REV B

## X-ON Electronics

Largest Supplier of Electrical and Electronic Components

*Click to view similar products for [Headers & Wire Housings](#) category:*

*Click to view products by [TE Connectivity](#) manufacturer:*

Other Similar products are found below :

[892-18-020-10-001101](#) [58102-G61-06LF](#) [582553-1](#) [0009485154](#) [009176003701906](#) [0050291907](#) [LY20-4P-DT1-P1E-BR](#) [02.125.8002.8](#)  
[609-3404](#) [61062-3](#) [61082-181009](#) [622-3653LF](#) [63453-116](#) [636-1030](#) [636-1427](#) [636-3427](#) [636-4007](#) [641938-9](#) [641991-4](#) [644827-2](#) [65817-](#)  
[010LF](#) [65817-015LF](#) [65863-015LF](#) [66207-023LF](#) [67095-007LF](#) [67601157](#) [68645-018](#) [68648-049](#) [70.362.1628.0](#) [70-4210](#) [70-4226B](#) [70-](#)  
[4853B](#) [707-5020](#) [707-5028](#) [71.350.2428.0](#) [71918-208LF](#) [71961-016LF](#) [733-134](#) [733-162](#) [754199-000](#) [760-3052](#) [787-8014-00](#) [79531-3000](#)  
[FCN-360C032-B](#) [FCN-367T-T012/H](#) [FCN-723D010/2](#) [80.063.4001.1](#) [800-90-001-10-001000](#) [800-90-010-10-002000](#) [801-43-002-10-013000](#)