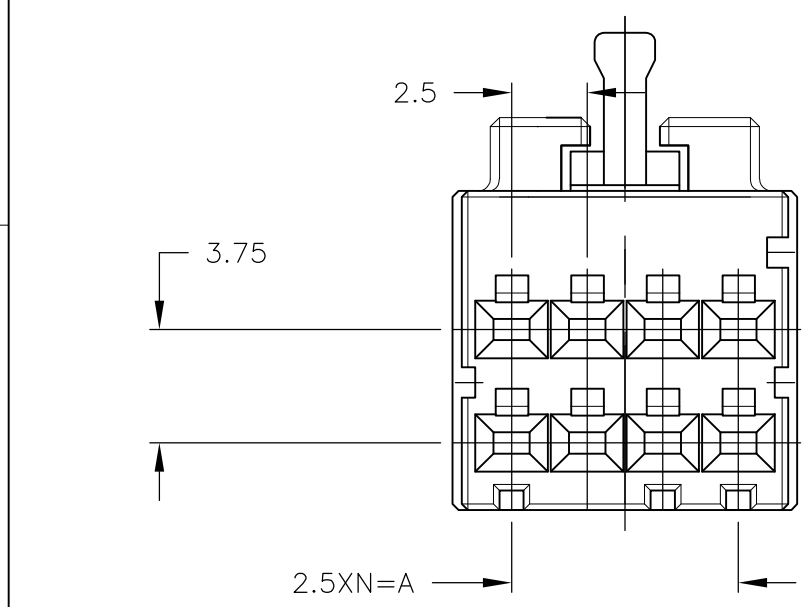
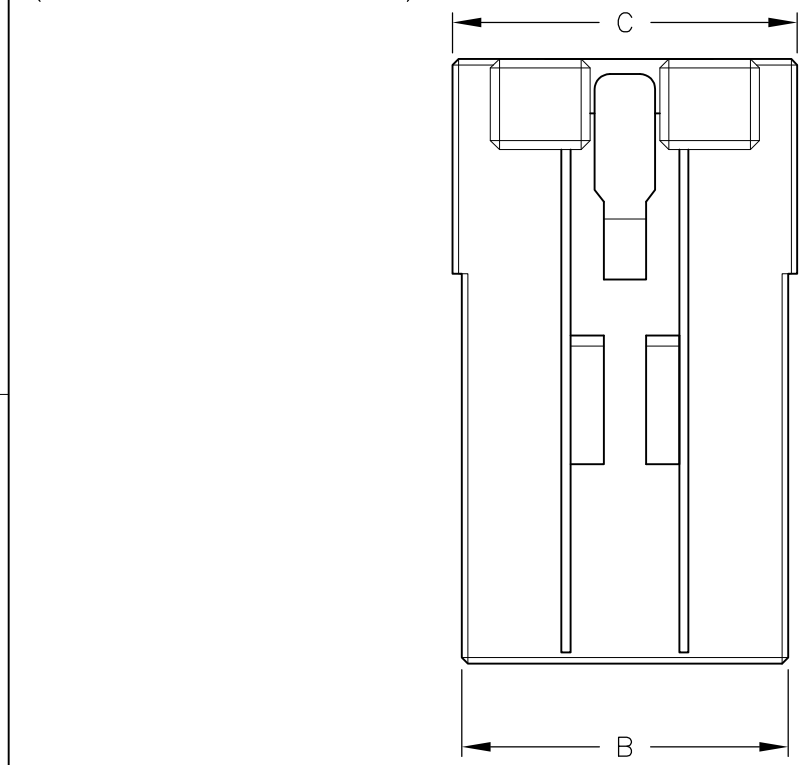
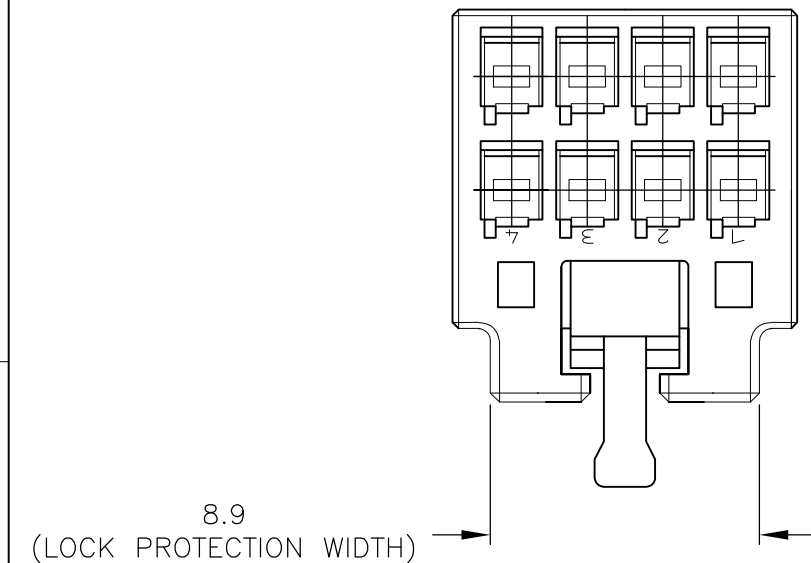


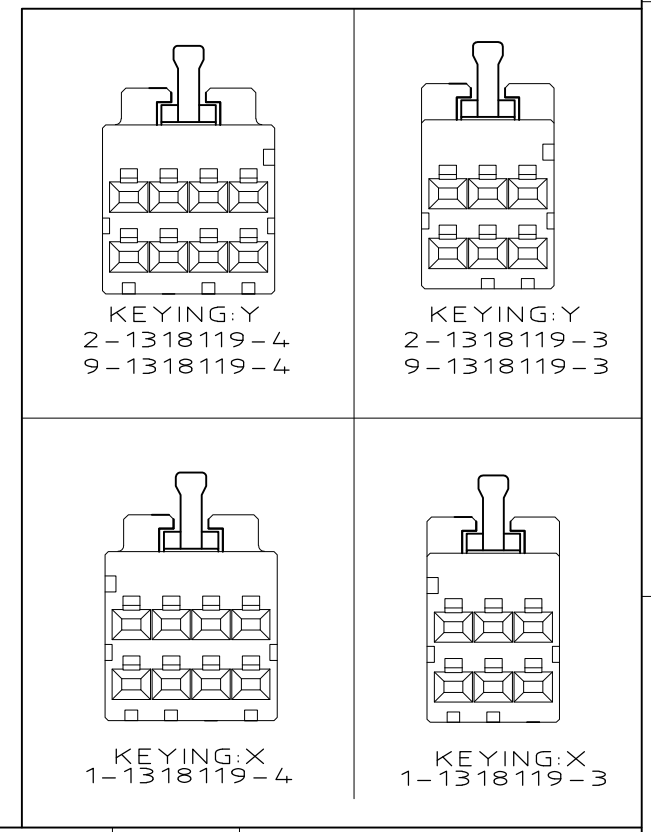
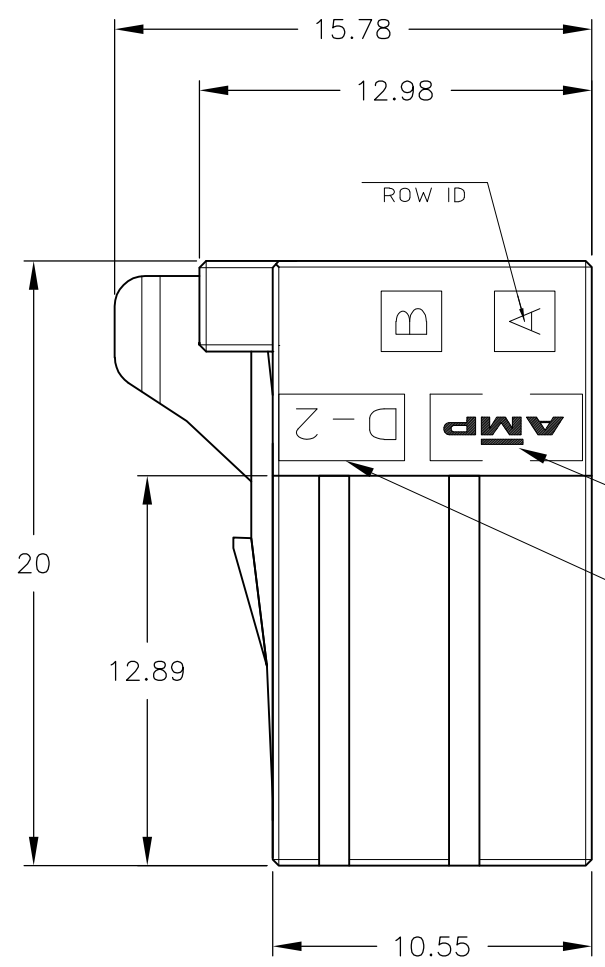
THIS DRAWING IS UNPUBLISHED. RELEASED FOR PUBLICATION
 © COPYRIGHT 2012 By Tyco Electronics Japan G.K. ALL RIGHTS RESERVED.

| LOC | DIST | REVISIONS | | | |
|-----|------|-------------|---------|-----------|---------|
| P | LTR | DESCRIPTION | DATE | DWN | APVD |
| J | — | E | REVISED | 27JUN2012 | H.M N.Y |
| | | F | REVISED | 17APR2015 | H.O N.Y |

NOTES
 1 MATERIAL:HOUSING:GLASS FILED THERMO PLASTIC
 ,POLYESTER(94V-0),
 COLOR:1-/2- : BLACK
 : 9- : NATURAL
 2 TO COAT ALL SURFACE OF HOUSING WITH TEFLON



KEY LOCATION VIEW
 2-1318119-4
 (KEYING Y)



| | | | | | | | |
|----------|--------------|------|------|-----|---|-----|----------------------------|
| OBSOLETE | 2 | 11.4 | 10.8 | 7.5 | 3 | 8 | 5-1318119-4 |
| | — | 11.4 | 10.8 | 7.5 | 3 | 8 | 9-1318119-4 2-1318119-4 |
| | — | 11.4 | 10.8 | 7.5 | 3 | 8 | 1-1318119-4 |
| OBSOLETE | 1 | 8.9 | 8.3 | 5 | 2 | 6 | 5-1318119-3 |
| | — | 8.9 | 8.3 | 5 | 2 | 6 | 9-1318119-3 2-1318119-3 |
| | — | 8.9 | 8.3 | 5 | 2 | 6 | 1-1318119-3 |
| FINISH | | C | B | A | N | POS | PART NUMBER |

THIS DRAWING IS A CONTROLLED DOCUMENT.

| | | | |
|-------------------|--|---------------------------|---|
| DIMENSIONS: mm | TOLERANCES UNLESS OTHERWISE SPECIFIED: 0 PLC ± 0.3 1 PLC ± 0.35 2 PLC ± 0.4 3 PLC ± 0.4 4 PLC ANGLES ± 3' | DWN K.IKEDA 07DEC1998 | STE TE Connectivity |
| | | CHK N.MATSUBARA 07DEC1998 | |
| | | APVD I.HASEGAWA 07DEC1998 | |
| | | NAME | |
| | | PRODUCT SPEC 108-5619 | DOUBLE ROW REC HSG DYNAMIC D-2100D |
| | | APPLICATION SPEC 114-5258 | SIZE CAGE CODE DRAWING NO RESTRICTED TO |
| MATERIAL | FINISH | WEIGHT | A3 00779 C-1318119 |
| | | CUSTOMER DRAWING | SCALE 4:1 SHEET 1 OF 1 REV F |

X-ON Electronics

Largest Supplier of Electrical and Electronic Components

Click to view similar products for [Headers & Wire Housings](#) category:

Click to view products by [TE Connectivity](#) manufacturer:

Other Similar products are found below :

[892-18-020-10-001101](#) [58102-G61-06LF](#) [582553-1](#) [0009485154](#) [009176003701906](#) [0050291907](#) [LY20-4P-DT1-P1E-BR](#) [02.125.8002.8](#)
[609-3404](#) [61062-3](#) [61082-181009](#) [622-3653LF](#) [63453-116](#) [636-1030](#) [636-1427](#) [636-3427](#) [636-4007](#) [641938-9](#) [641991-4](#) [644827-2](#) [65817-010LF](#) [65817-015LF](#) [65863-015LF](#) [66207-023LF](#) [67095-007LF](#) [67601157](#) [68645-018](#) [68648-049](#) [70.362.1628.0](#) [70-4210](#) [70-4226B](#) [70-4853B](#) [707-5020](#) [707-5028](#) [71.350.2428.0](#) [71918-208LF](#) [71961-016LF](#) [733-134](#) [733-162](#) [754199-000](#) [760-3052](#) [787-8014-00](#) [79531-3000](#)
[FCN-360C032-B](#) [FCN-367T-T012/H](#) [FCN-723D010/2](#) [80.063.4001.1](#) [800-90-001-10-001000](#) [800-90-010-10-002000](#) [801-43-002-10-013000](#)