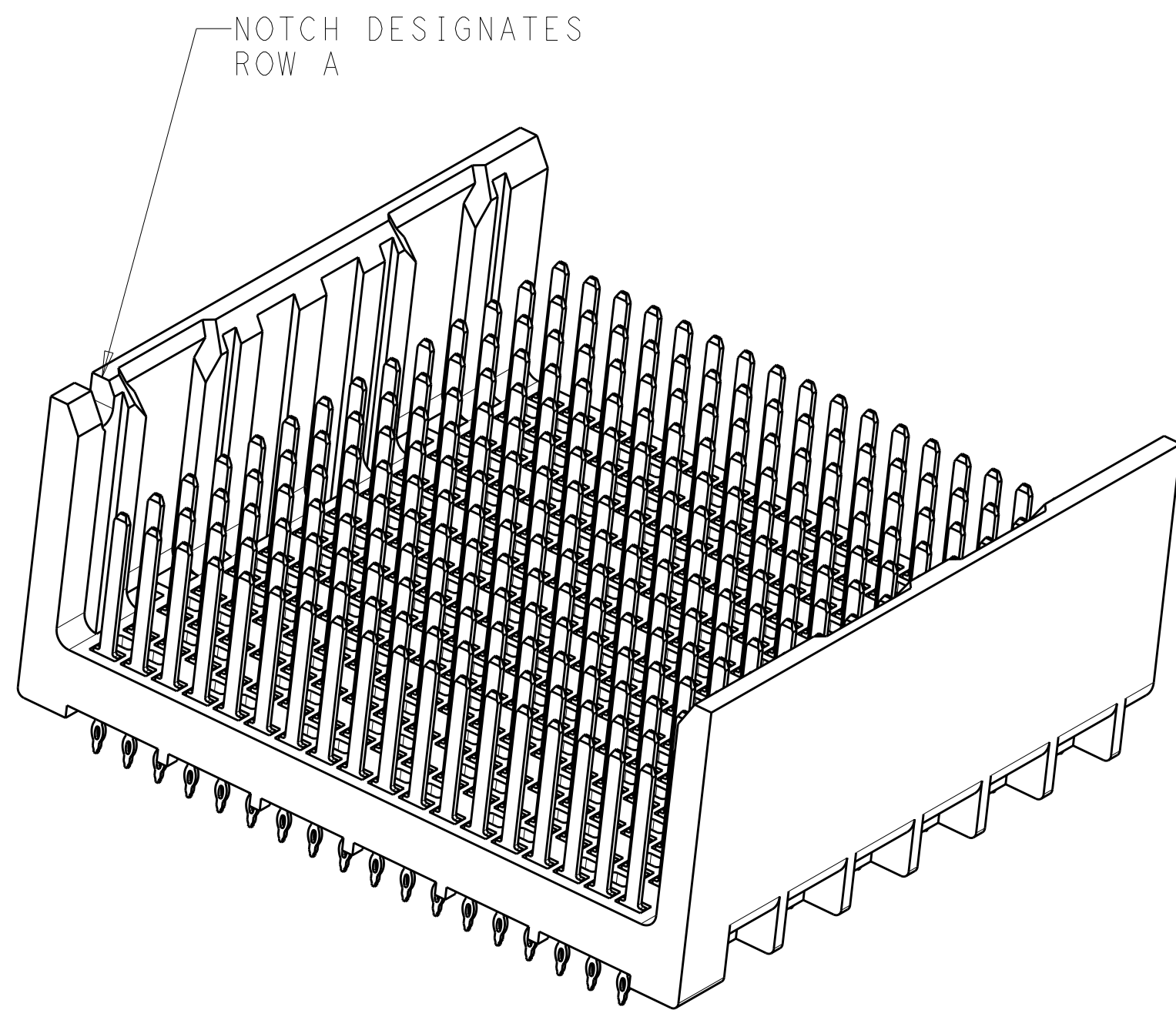
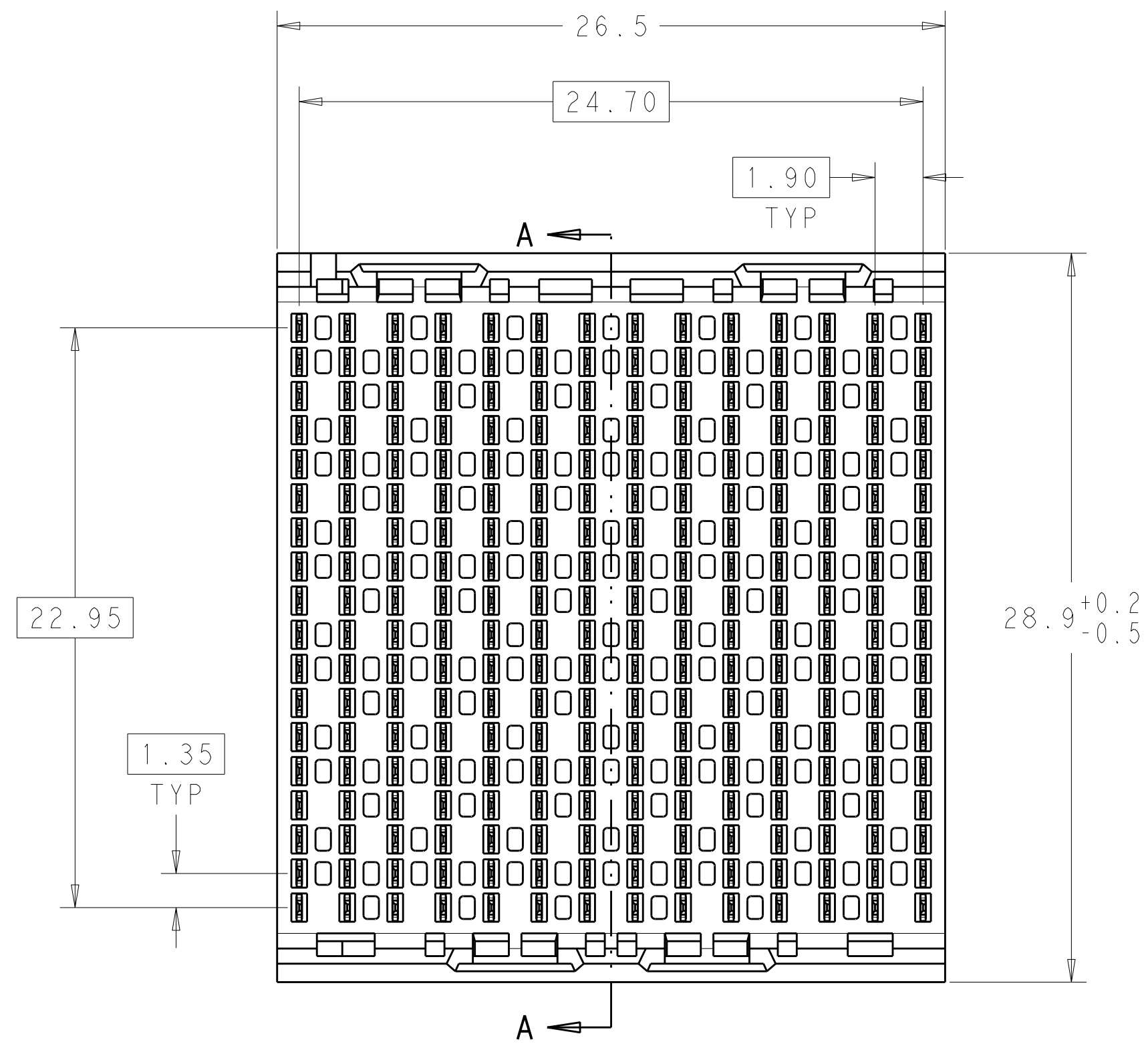
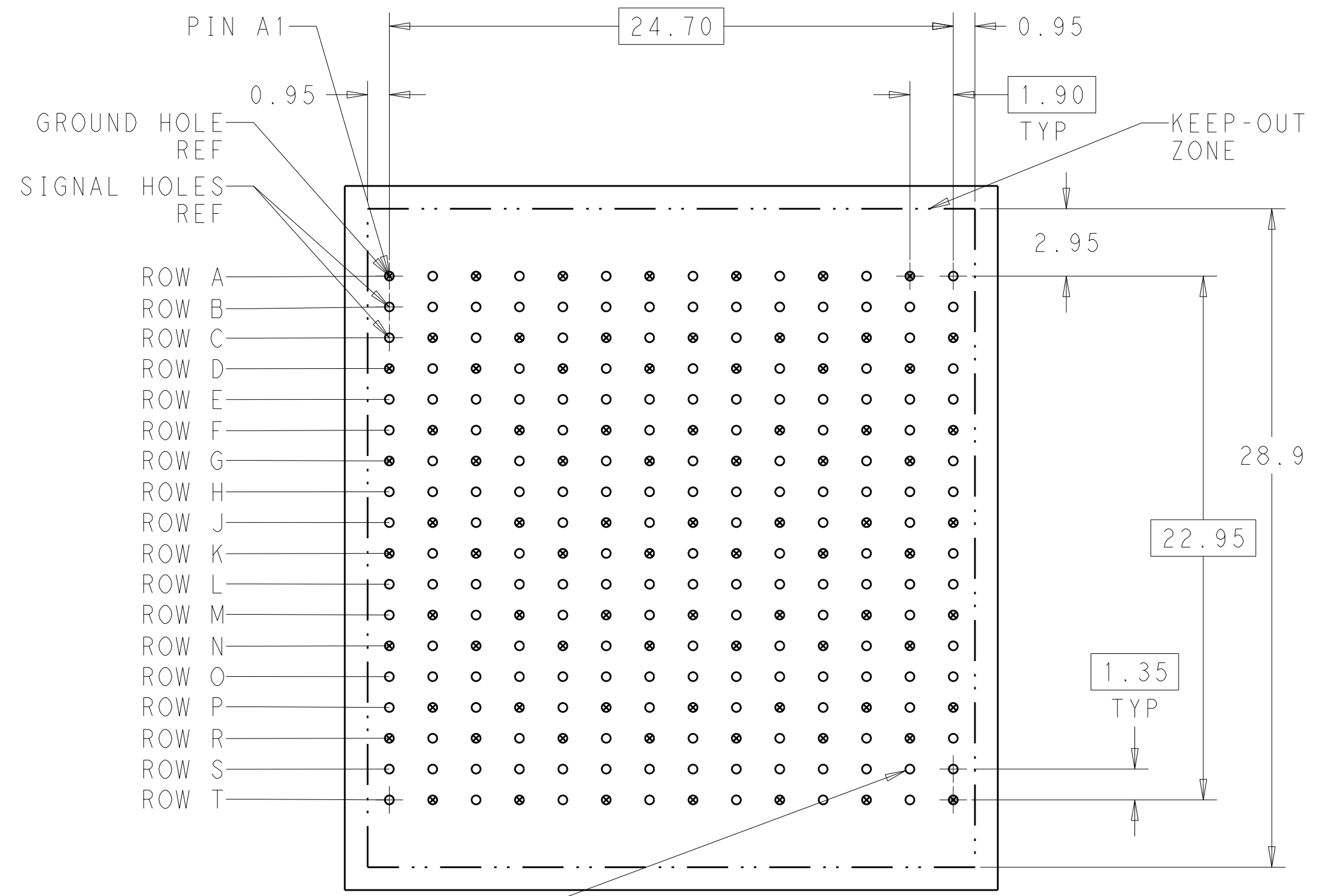


LOC	DIST	REV	DATE	BY	CHK	APPV
AD	00	A	02MAY2011	RKC	JE	

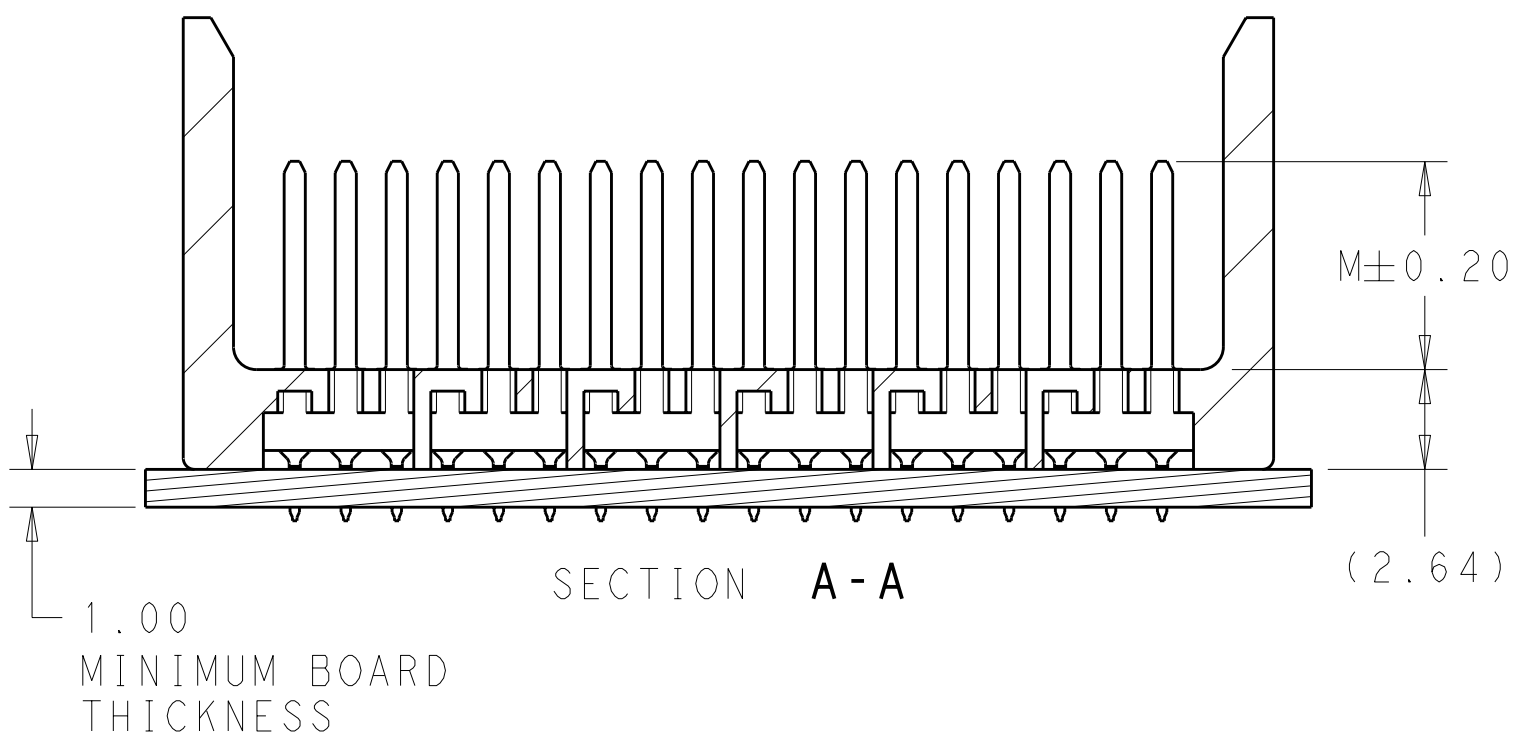
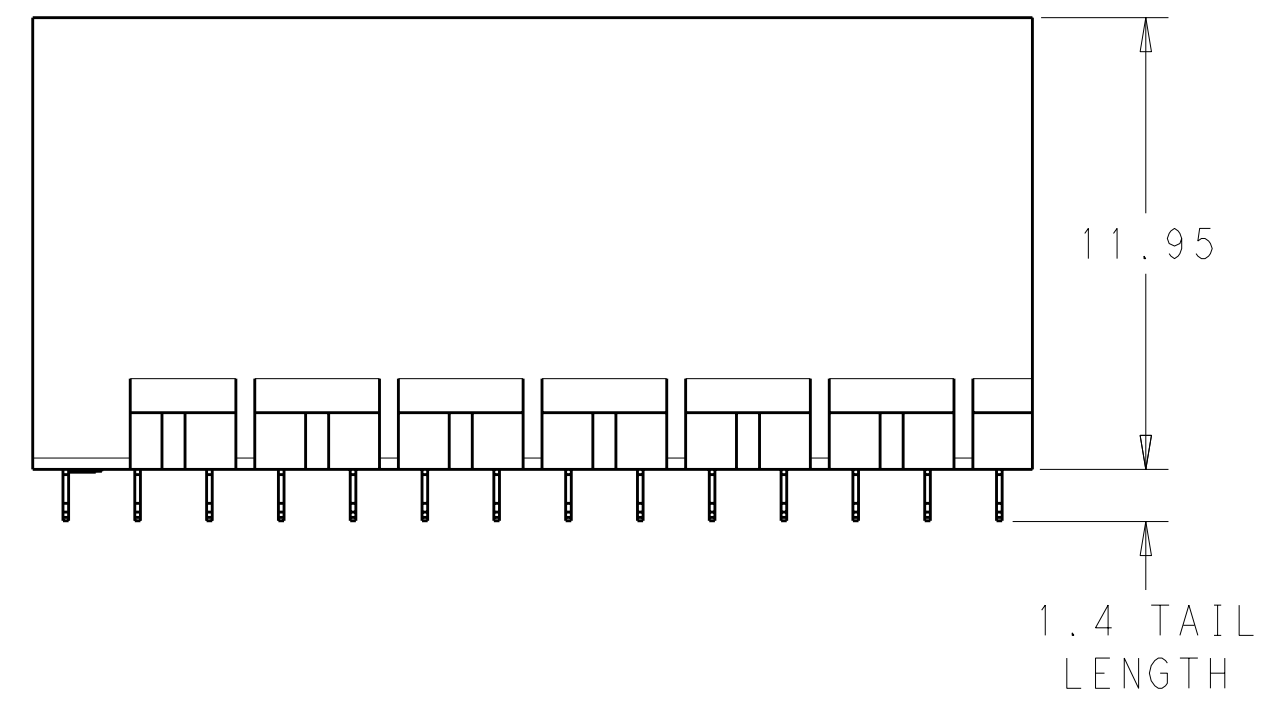


- 1 MATERIAL:
HOUSING: LCP, GLASS FILLED, UL94V-0.
TERMINALS: HIGH PERFORMANCE COPPER ALLOY.
- 2 FINISH:
30µ" MIN GOLD IN CONTACT AREA. SELECTIVE TIN
ON PCB TAILS, NICKEL OVERALL.
- 3 FINISH:
30µ" MIN GOLD IN CONTACT AREA. SELECTIVE TIN-LEAD
ON PCB TAILS, NICKEL OVERALL.



252X $\varnothing 0.39 \pm 0.05$
 $\varnothing 0.10$
 PLATED THRU HOLE

UNGUIDED
 BACKPLANE HOLE PATTERN
 (CONNECTOR SIDE)




THIS DRAWING IS A CONTROLLED DOCUMENT.		DWN R. COELLO	02MAY2011	STE TE Connectivity
DIMENSIONS: mm		CHK J. EABY	02MAY2011	
TOLERANCES UNLESS OTHERWISE SPECIFIED: 9 PLC ± 1 PLC ±0.25 3 PLC ±0.13 4 PLC ± ANGLES ±		APVD J. EABY	02MAY2011	
MATERIAL FINISH SEE TABLE		NAME IMPACT, 6 PAIR, 14 COLUMN, HEADER UNGUIDED, OPEN END WALL SIGNAL MODULE, 0.39 PTH	RESTRICTED TO	
CUSTOMER DRAWING		SIZE A100779	DRAWING NO. C=2132012	SCALE 5:1
		WEIGHT		SHEET 1 OF 2
				REV A

THIS DRAWING IS UNPUBLISHED. RELEASED FOR PUBLICATION 20
 © COPYRIGHT 20 BY . ALL RIGHTS RESERVED.

LOC	DIST	REVISIONS				
AD	00	P	LTG	DATE	DWN	APVD
		-	-	SEE SHEET 1	-	-

FINISH	DIM M	PART NUMBER
△3	5.5	2132012-6
△3	4.9	2132012-5
△3	4.5	2132012-4
△2	5.5	2132012-3
△2	4.9	2132012-2
△2	4.5	2132012-1

REFER TO WWW.TE.COM
 FOR PRODUCT AVAILABILITY

THIS DRAWING IS A CONTROLLED DOCUMENT.		DWN	02MAY2011	 TE Connectivity
DIMENSIONS:		CHK	02MAY2011	
mm	TOLERANCES UNLESS OTHERWISE SPECIFIED:	APVD	02MAY2011	NAME IMPACT, 6 PAIR, 14 COLUMN, HEADER UNGUIDED, OPEN END WALL SIGNAL MODULE, 0.39 PTH
9 PLC ±	0.25	PRODUCT SPEC		
3 PLC ±0.13		APPLICATION SPEC		SIZE
5 PLC ±		WEIGHT		CAGE CODE
4 PLC ±		CUSTOMER DRAWING		DRAWING NO
ANGLES ±		SCALE		RESTRICTED TO
FINISH SEE TABLE		5:1		A100779C=2132012
		SHEET		2 OF 2
		REV		A

X-ON Electronics

Largest Supplier of Electrical and Electronic Components

Click to view similar products for [High Speed/Modular Connectors](#) category:

Click to view products by [TE Connectivity](#) manufacturer:

Other Similar products are found below :

[650827-1](#) [74040-1346](#) [1410191-1](#) [1410368-3](#) [1410964-2](#) [1410326-3](#) [1410367-3](#) [1410971-4](#) [1467833-1](#) [2000877-1](#) [2000878-1](#) [2041314-1](#)
[2065387-1](#) [2187307-1](#) [163P](#) [1934290-1](#) [2000875-1](#) [2065917-1](#) [2102736-2](#) [FSR-40](#) [2169868-2](#) [22354-8](#) [437-5040-000](#) [5-1393565-0](#) [039-](#)
[0246-000](#) [0740618502](#) [0761601016](#) [0784461022](#) [10123159-12ELF](#) [030-2415-003/100 PK](#) [030-7380-004](#) [030-2494-001](#) [532939-1](#) [5532901-](#)
[3](#) [3-1469268-7](#) [74748-102LF](#) [10041743-101LF](#) [10066670-100002LF](#) [1-533915-1](#) [249-4515-000](#) [7-1469373-3](#) [DL2-2J/S](#) [2000713-8](#)
[2000713-7](#) [10124313-101LF](#) [3011-21](#) [757105208](#) [430305-001](#) [4395800100](#) [8140115](#)