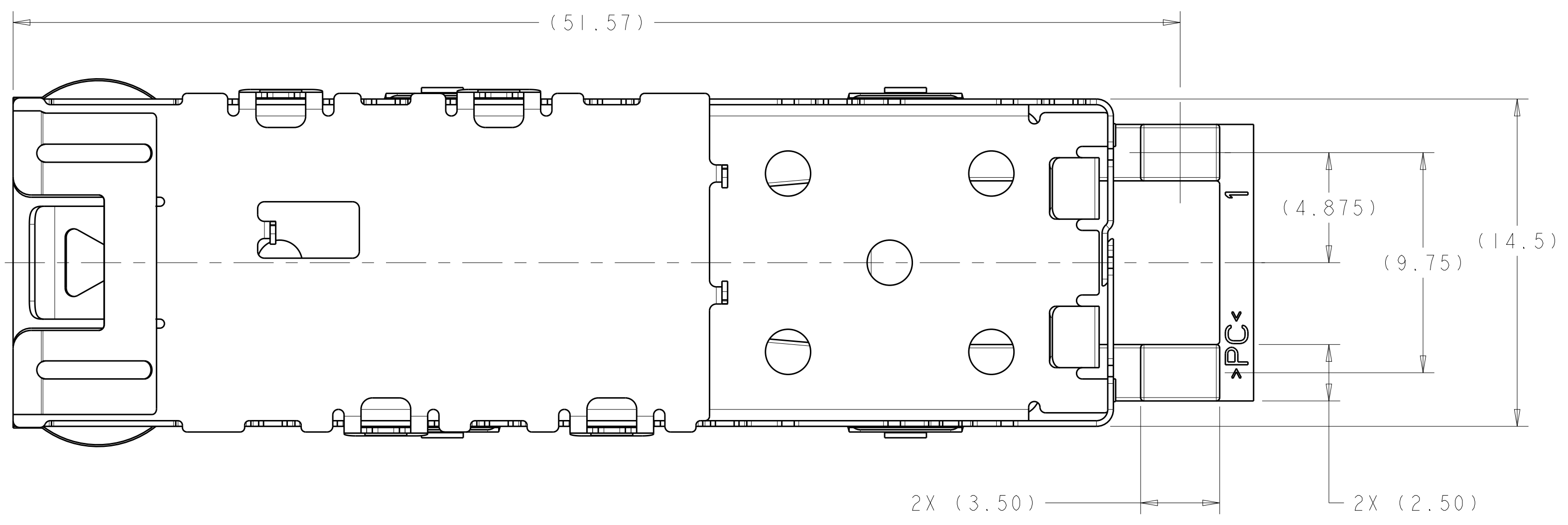
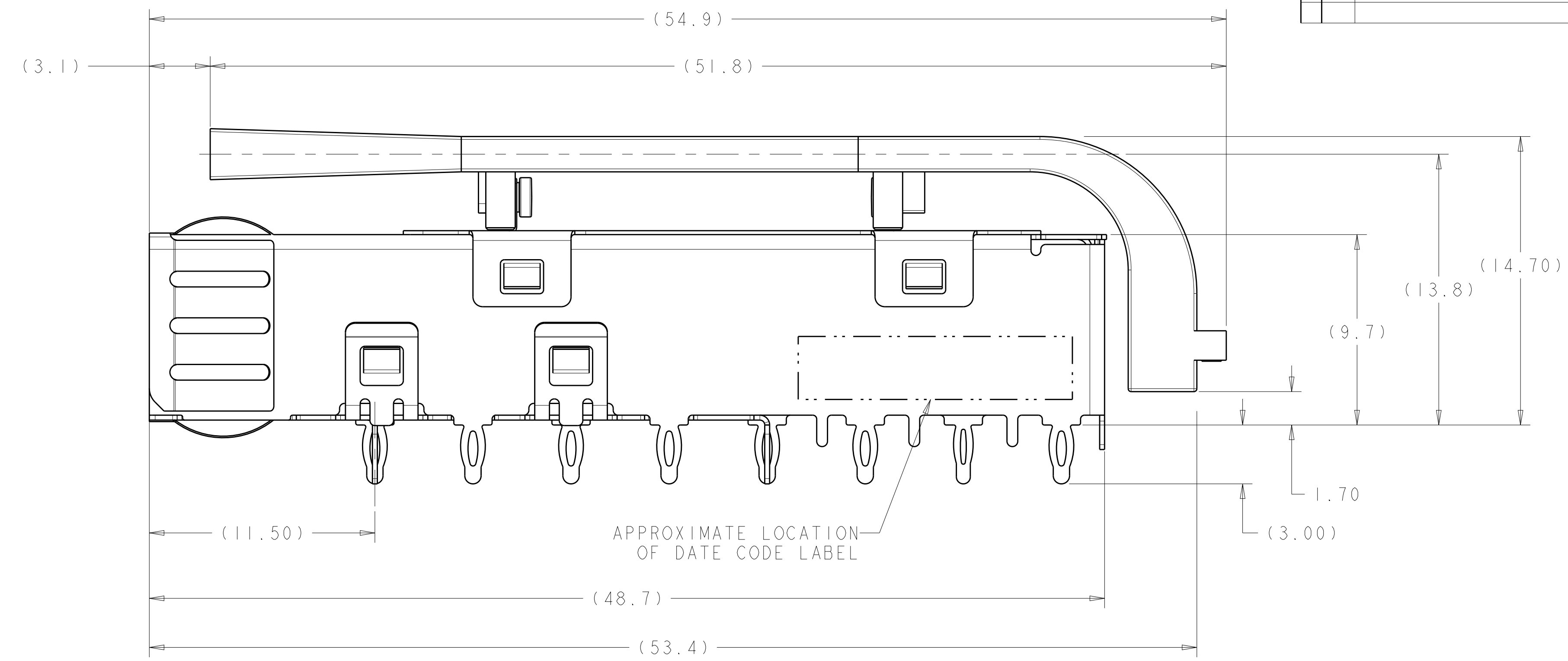
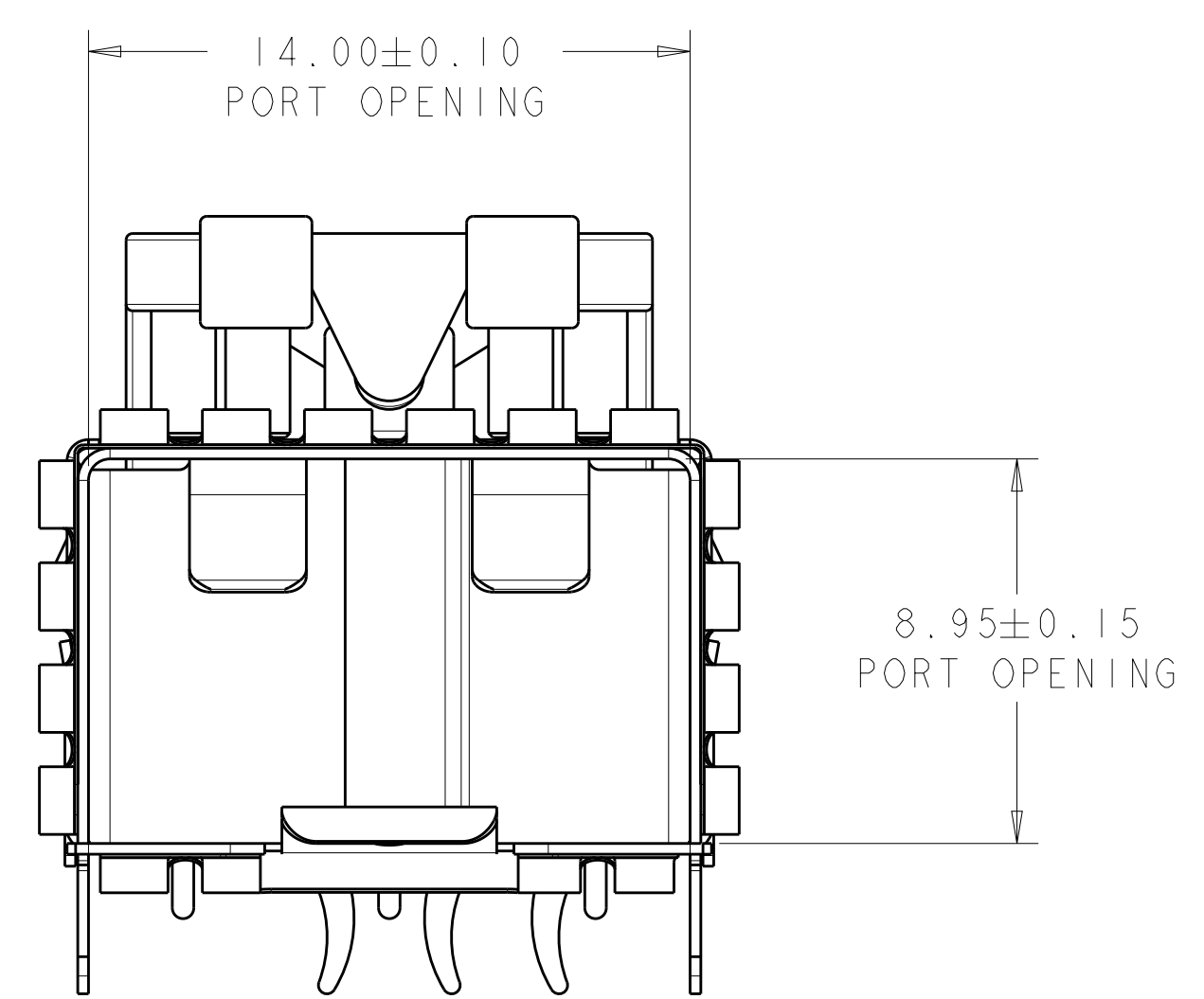
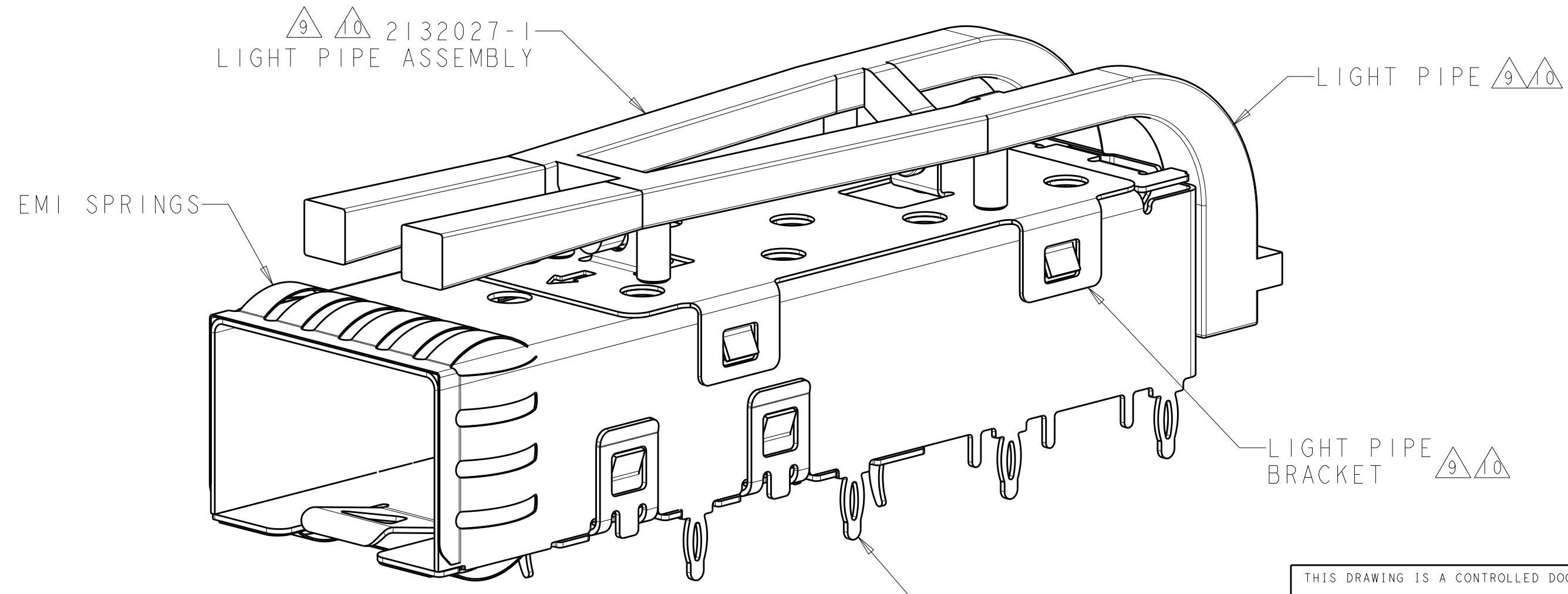


REVISIONS					
P	LTN	DESCRIPTION	DATE	DMN	APVD
A		RELEASED	26FEB2016	JW	SH



- ⚠ MATERIAL:
 CAGE ASSEMBLY - 0.25 THICK NICKEL-SILVER ALLOY.
 EMI SPRINGS - COPPER ALLOY.
 LIGHT PIPE - POLYCARBONATE, CLEAR.
 LIGHT PIPE BRACKET - STAINLESS STEEL.
- ⚠ FINISH:
 EMI SPRINGS - 0.8um MIN MATTE TIN OVER 0.8um MIN NICKEL
 NON-PLATED EDGES PERMISSIBLE.
- 3. MATES WITH SFP MSA COMPLIANT TRANSCEIVERS.
- ⚠ PADS AND VIAS CHASSIS GROUND.
- ⚠ DATUM AND BASIC DIMENSION ESTABLISHED BY CUSTOMER.
- 6. MINIMUM PC BOARD THICKNESS:
 SINGLE SIDED: 1.50mm
 DOUBLE SIDED: 3.00mm
- ⚠ REFERENCE APPLICATION SPEC. 114-13120, HOLE A, FOR
 RECOMMENDED DRILL HOLE DIAMETER AND PLATING THICKNESS.
- ⚠ REFERENCE APPLICATION SPEC. 114-13120, HOLE C, FOR
 RECOMMENDED DRILL HOLE DIAMETER AND PLATING THICKNESS.
 INTO PCB PRIOR TO ATTACHING THE LIGHTPIPE ASSEMBLY
 TO THE CAGE.
- ⚠ LIGHT PIPE ASSEMBLY SHIPPED UNASSEMBLED TO CAGE ASSEMBLY.
 CAGE ASSEMBLY TO BE PRESSED INTO PCB PRIOR TO ATTACHING
 THE LIGHT PIPE ASSEMBLY TO THE CAGE.
- ⚠ LIGHT PIPE AND LIGHT PIPE BRACKET SHIPPED ASSEMBLED.

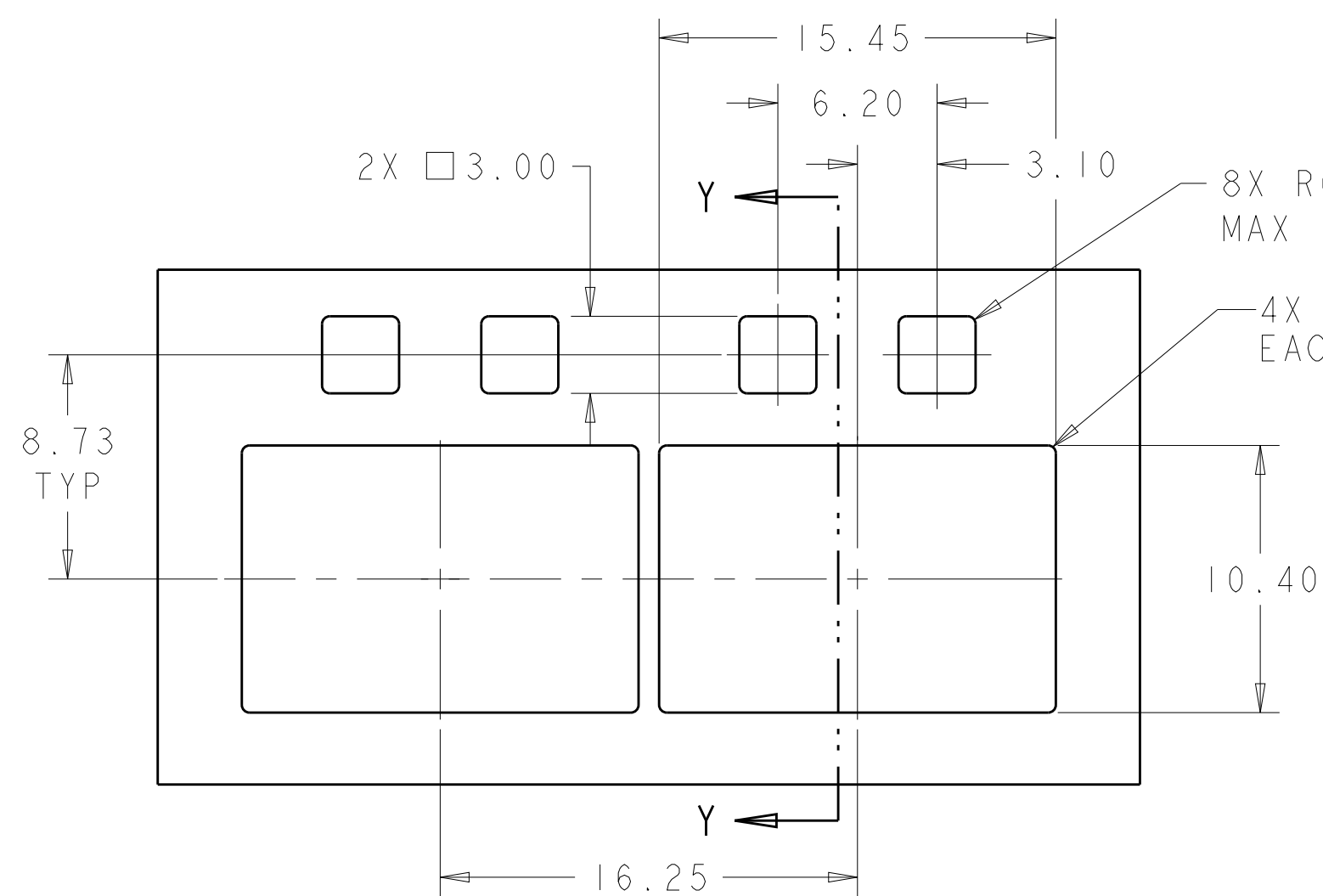


2132026-1
 SHOWN ASSEMBLED
 SCALE 5:1

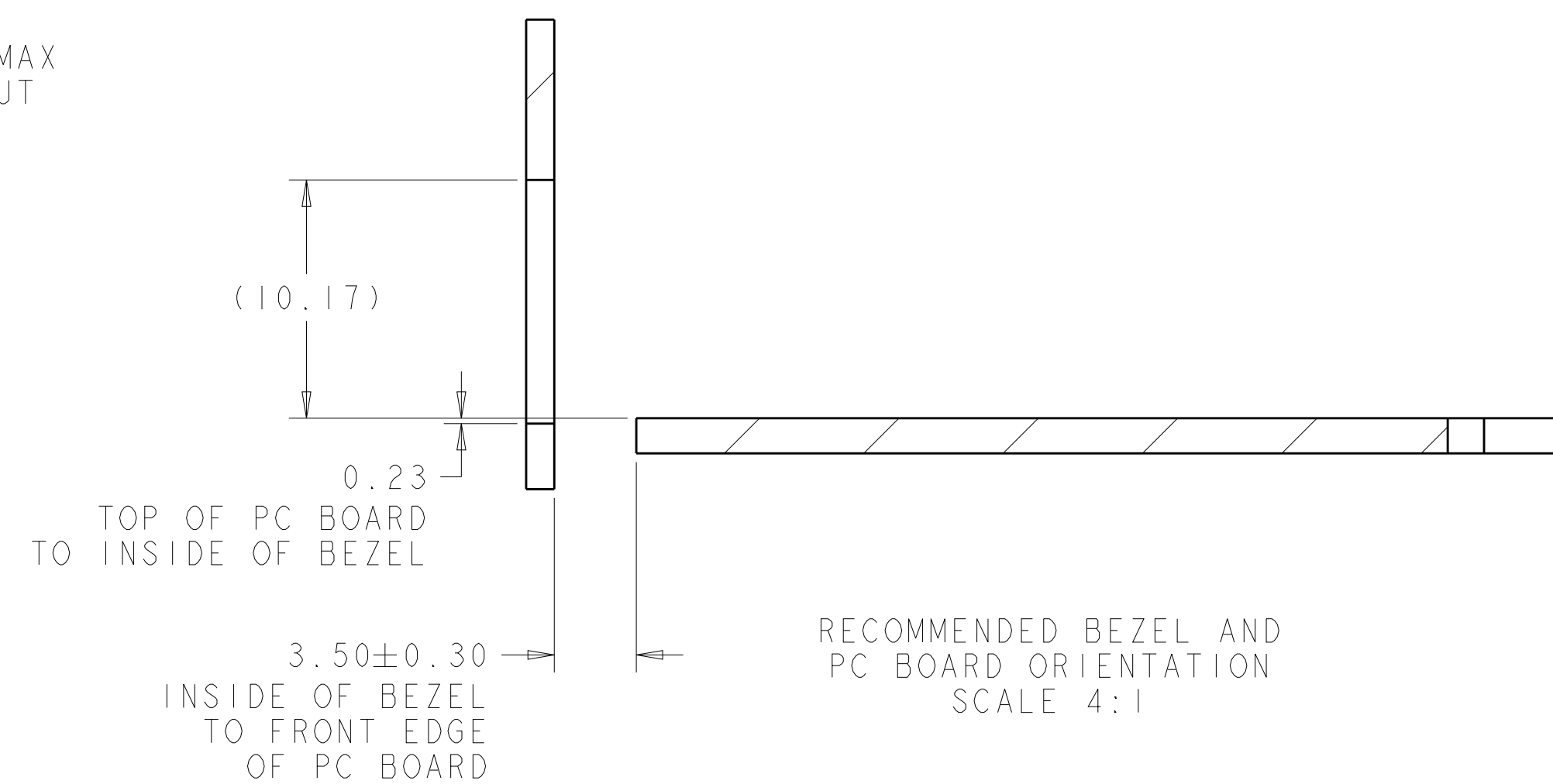
2132026-1
 PART
 NUMBER

THIS DRAWING IS A CONTROLLED DOCUMENT.		DMN C. ROHLER 08OCT2009	TE Connectivity
DIMENSIONS:		CHK M. SCHMITT 08OCT2009	
mm	TOLERANCES UNLESS OTHERWISE SPECIFIED:	APVD B. WERTZ 08OCT2009	NAME SFP+ IXI CAGE ASSEMBLY PRESS-FIT, W/ LIGHT PIPES
0 PLC ±0.1	1 PLC ±0.1	PRODUCT SPEC 108-2364	SIZE A1
2 PLC ±0.1	3 PLC ±0.05	APPLICATION SPEC 114-13120	CAGE CODE 00779
4 PLC ±0.05	ANGLES ±0.05	WEIGHT	DRAWING NO 2132026
MATERIAL	FINISH	CUSTOMER DRAWING	RESTRICTED TO
		SCALE 6:1	SHEET 1 OF 2
		REV A	

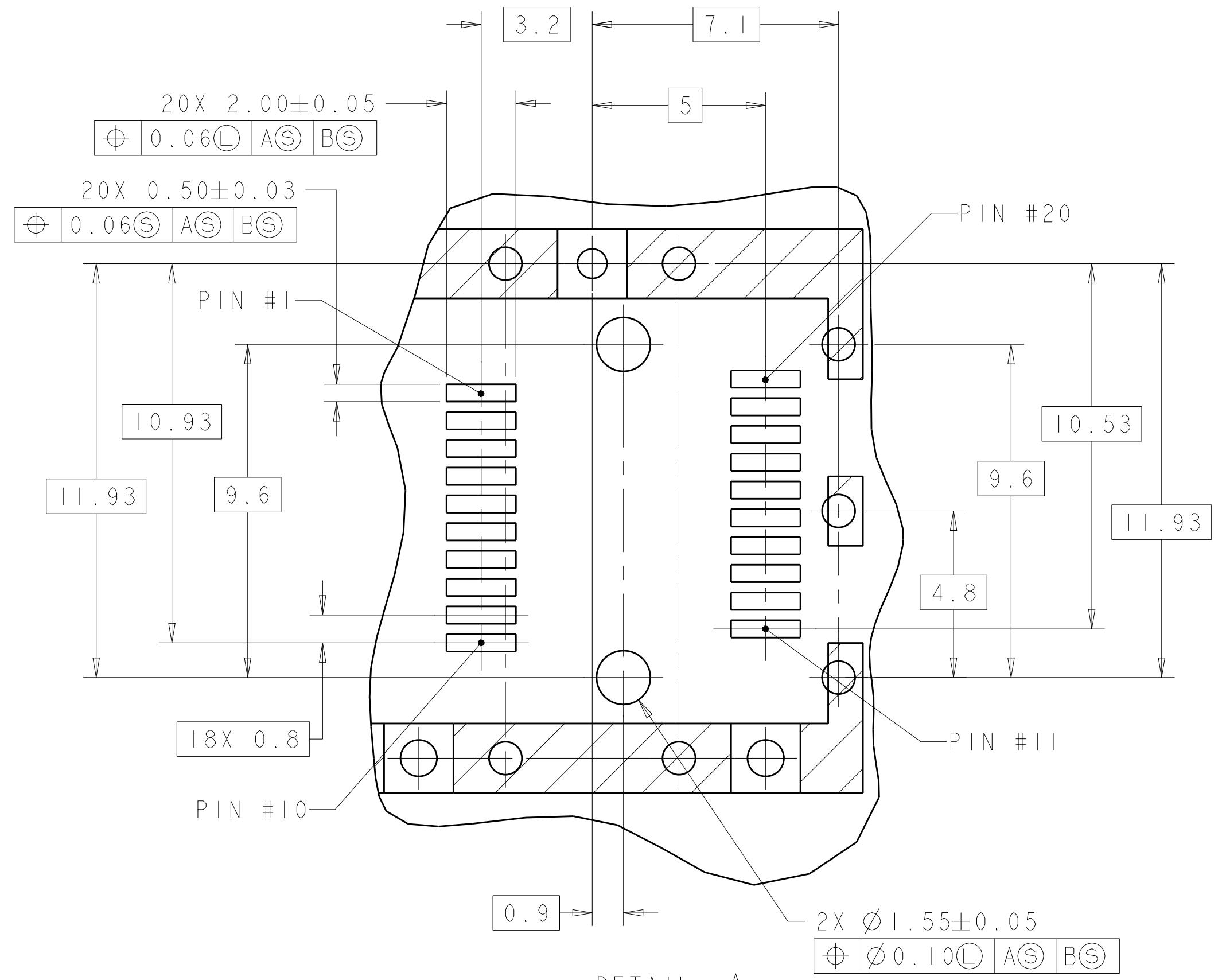
REVISIONS				
P. LTM	DESCRIPTION	DATE	OWN	APVD
-	SEE SHEET 1	-	-	-



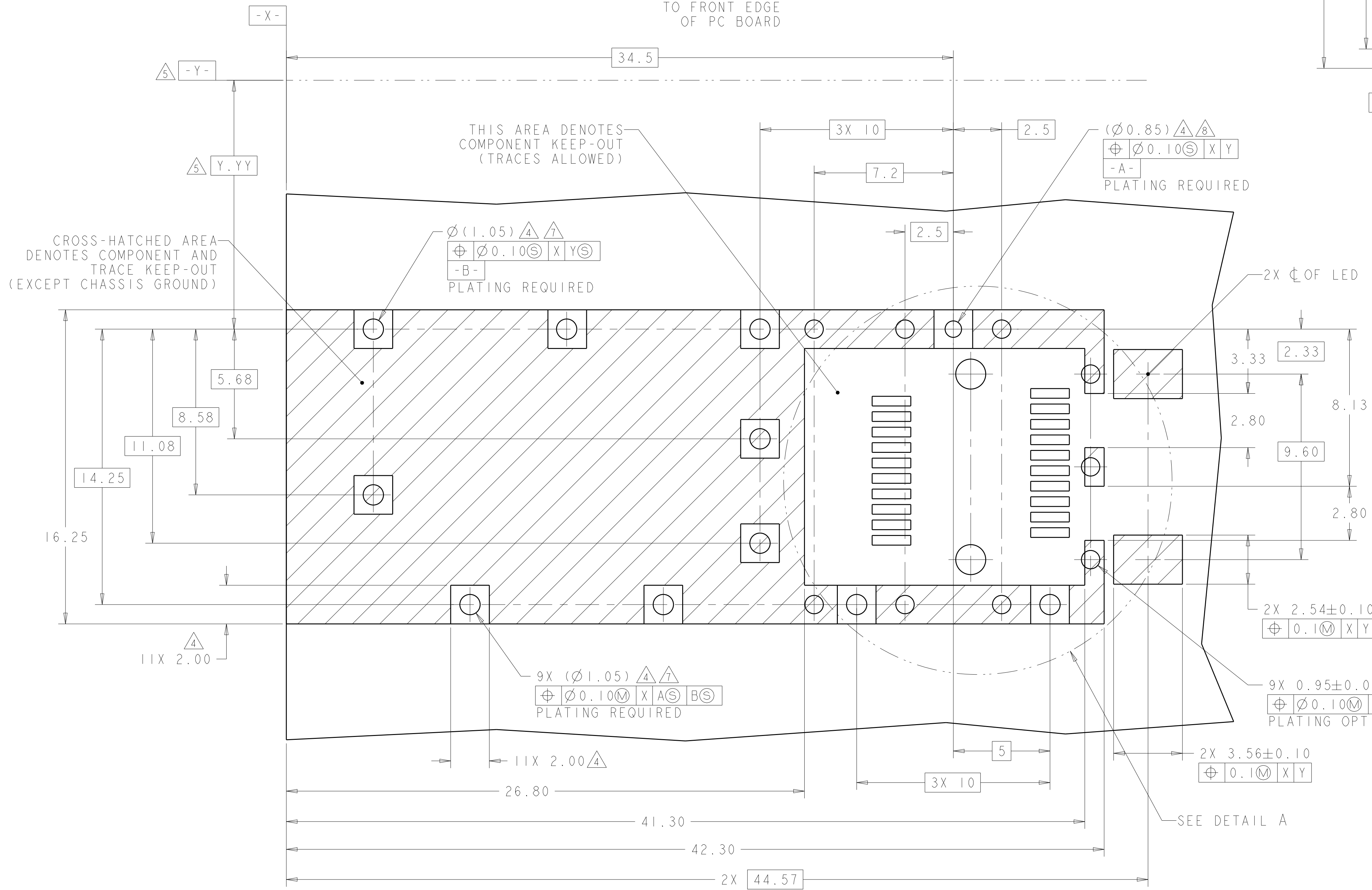
RECOMMENDED BEZEL CUTOUT SCALE 4:1



RECOMMENDED BEZEL AND PC BOARD ORIENTATION SCALE 4:1



DETAIL A SCALE 8:1



RECOMMENDED PCB LAYOUT SCALE 8:1

THIS DRAWING IS A CONTROLLED DOCUMENT.		OWN: C. ROHLER 08OCT2009		TE Connectivity
DIMENSIONS: mm		CHK: M. SCHMITT 08OCT2009		NAME: SFP+ IXI CAGE ASSEMBLY PRESS-FIT, W/ LIGHT PIPES
TOLERANCES UNLESS OTHERWISE SPECIFIED:		APVD: B. WERTZ 08OCT2009		PRODUCT SPEC: 108-2364
0 PLC ±0.1		APPLICATION SPEC: 114-13120		SIZE: A100779C=2132026
1 PLC ±0.1		WEIGHT: -	RESTRICTED TO:	
2 PLC ±0.1		CUSTOMER DRAWING	SCALE: 6:1	SHEET: 2 OF 2
3 PLC ±0.05				REV: A
4 PLC ±0.05				
ANGLES ±0.05				

X-ON Electronics

Largest Supplier of Electrical and Electronic Components

Click to view similar products for [High Speed/Modular Connectors](#) category:

Click to view products by [TE Connectivity](#) manufacturer:

Other Similar products are found below :

[650827-1](#) [74040-1346](#) [1410191-1](#) [1410368-3](#) [1410964-2](#) [1410326-3](#) [1410367-3](#) [1410971-4](#) [1467833-1](#) [2000877-1](#) [2000878-1](#) [2041314-1](#)
[2065387-1](#) [2187307-1](#) [163P](#) [1934290-1](#) [2000875-1](#) [2065917-1](#) [2102736-2](#) [FSR-40](#) [2169868-2](#) [22354-8](#) [437-5040-000](#) [5-1393565-0](#) [039-](#)
[0246-000](#) [0740618502](#) [0761601016](#) [0784461022](#) [10123159-12ELF](#) [030-2415-003/100 PK](#) [030-7380-004](#) [030-2494-001](#) [532939-1](#) [5532901-](#)
[3](#) [3-1469268-7](#) [74748-102LF](#) [10041743-101LF](#) [10066670-100002LF](#) [1-533915-1](#) [249-4515-000](#) [7-1469373-3](#) [DL2-2J/S](#) [2000713-8](#)
[2000713-7](#) [10124313-101LF](#) [3011-21](#) [757105208](#) [430305-001](#) [4395800100](#) [8140115](#)