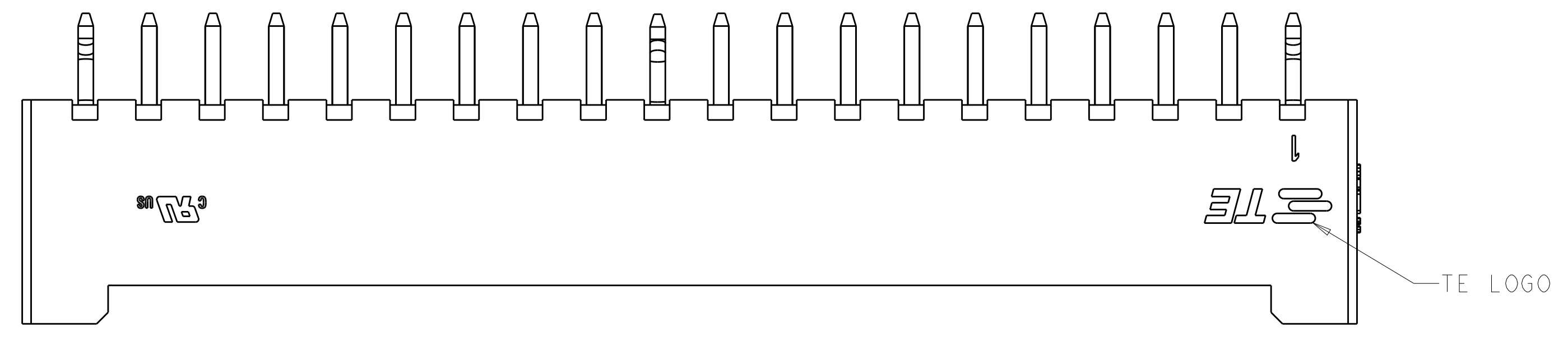
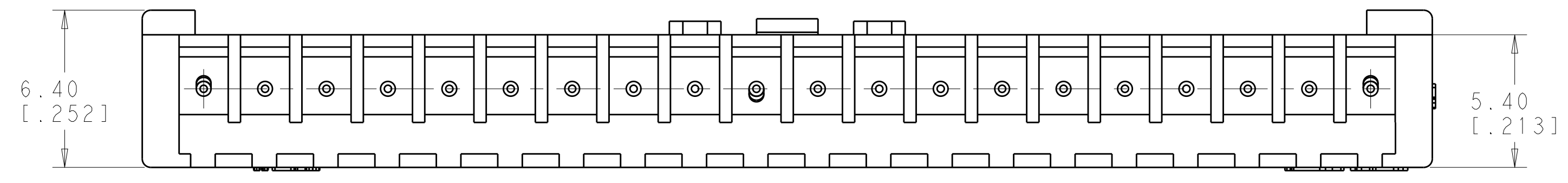
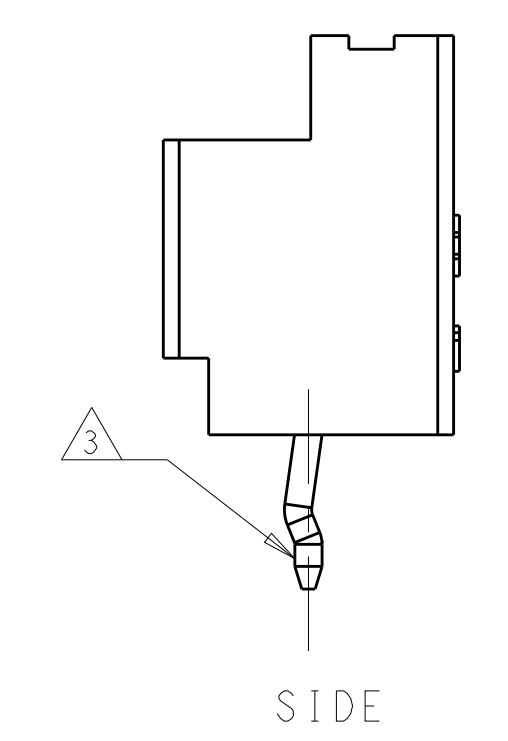
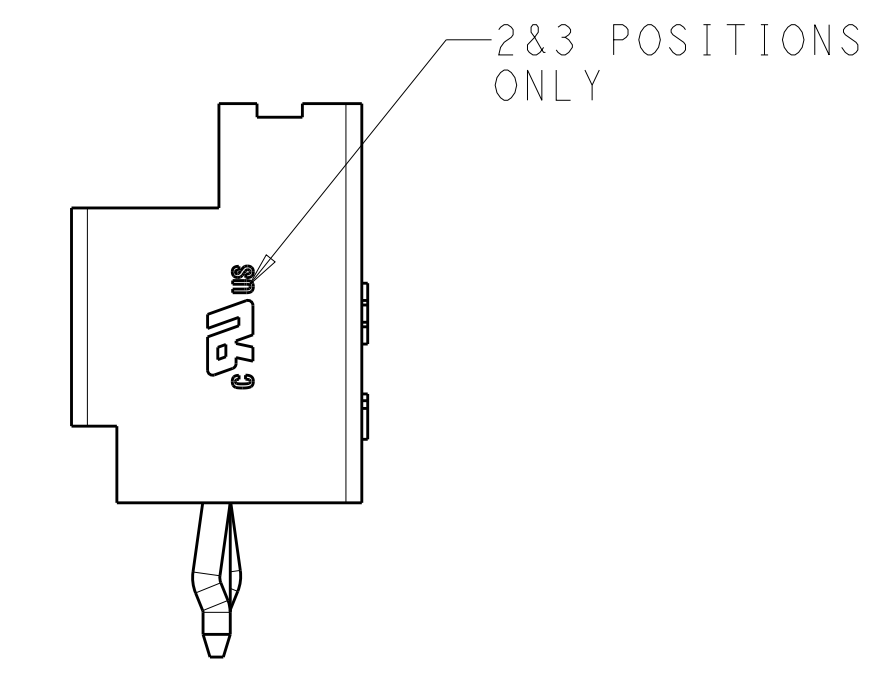
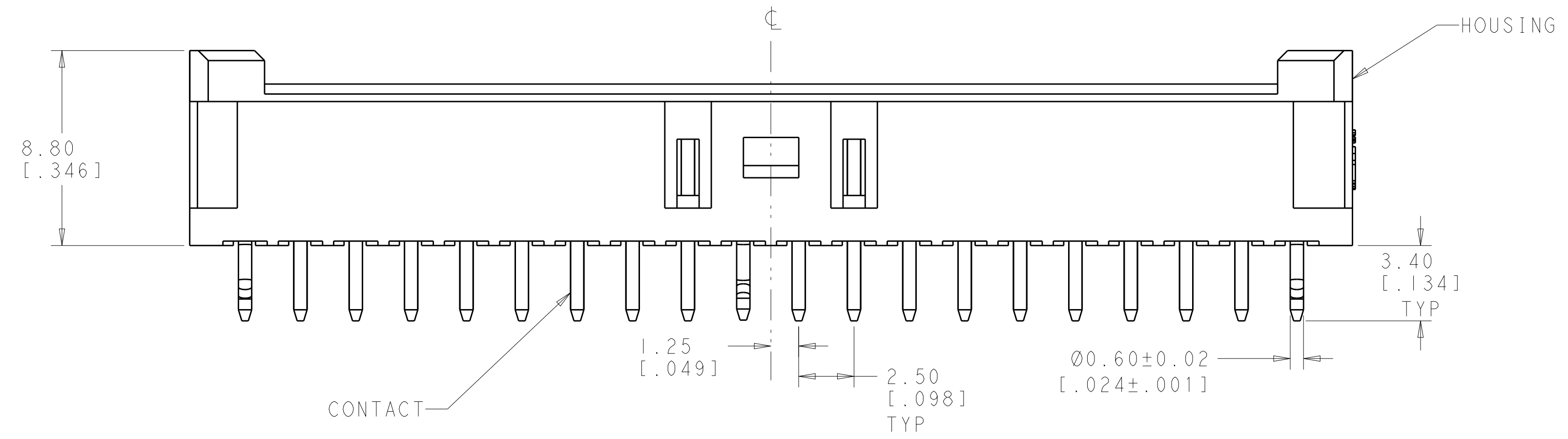
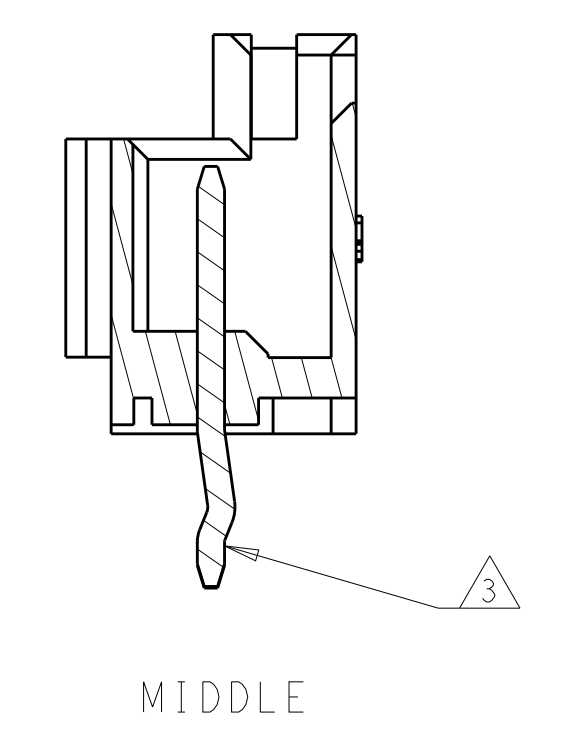
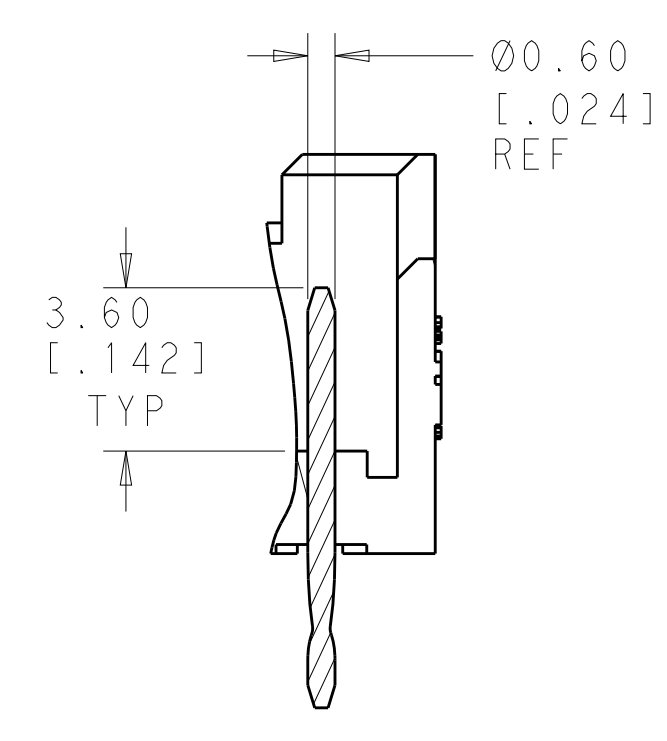
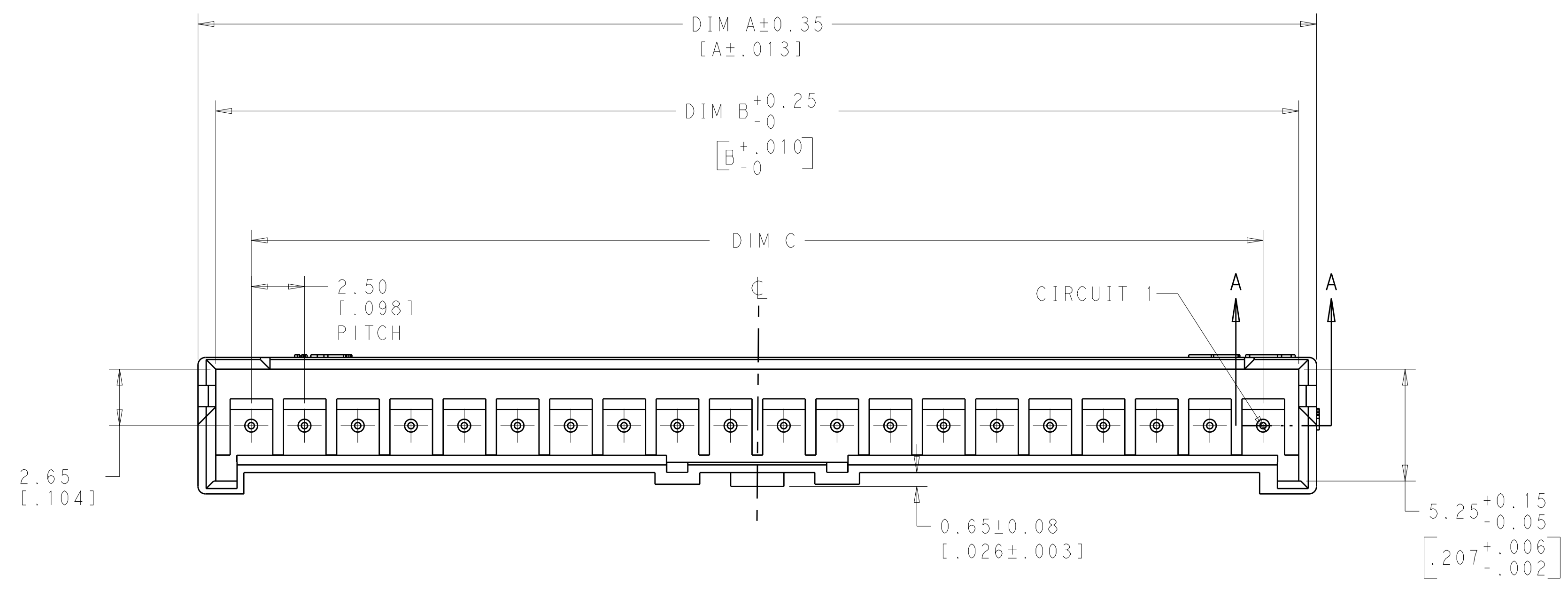


REVISIONS				
P.	LTN.	DESCRIPTION	DATE	DMN. APVD.
	D4	REVISED PER ECR-17-014071	30DEC2017	W. H. D. 2

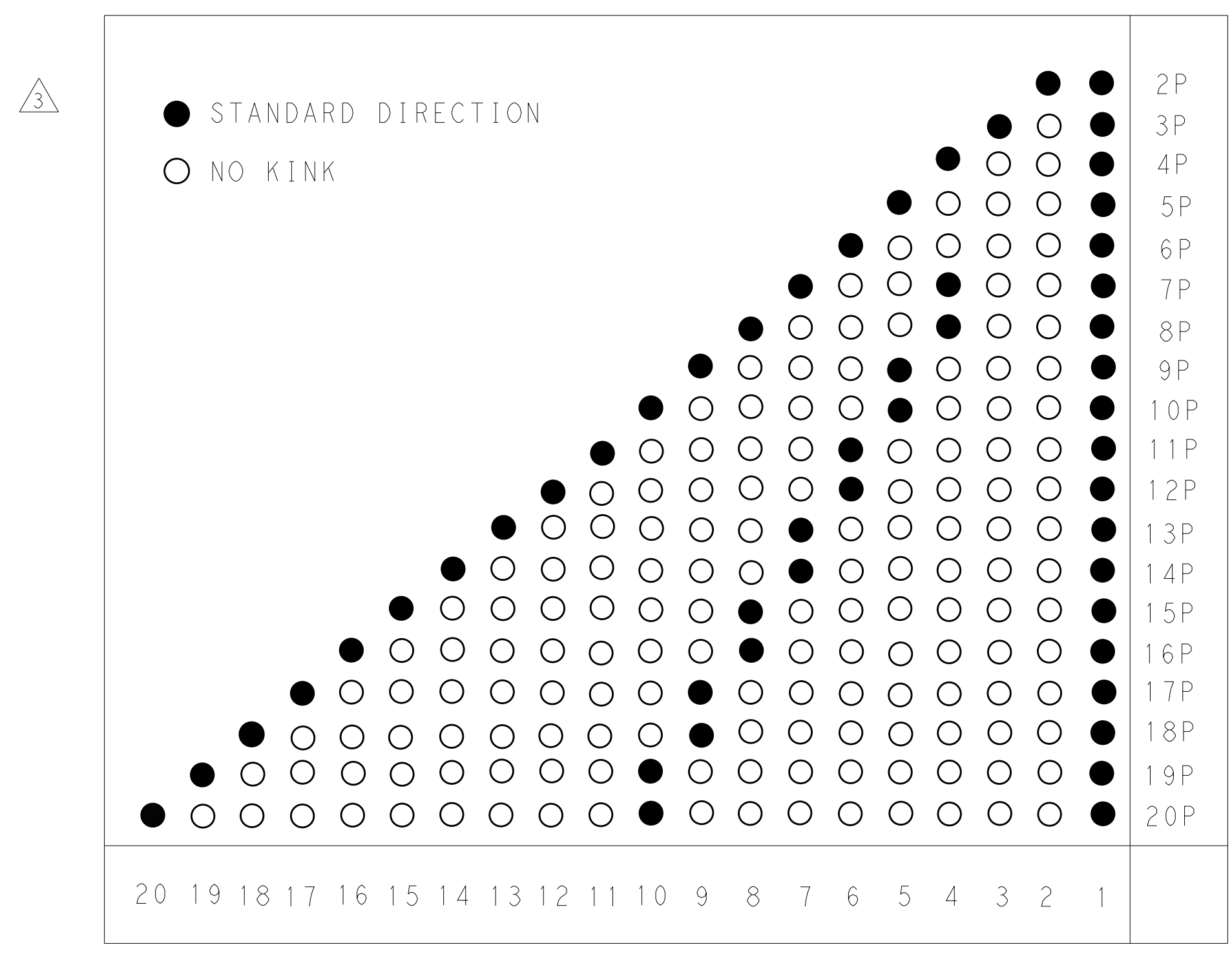
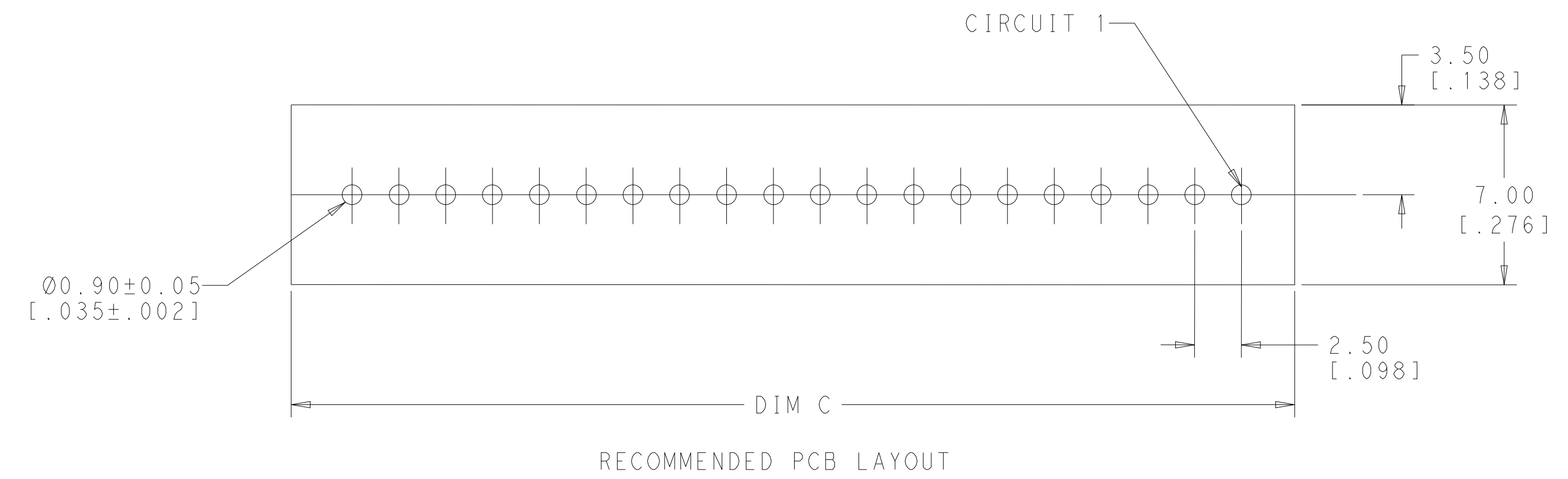
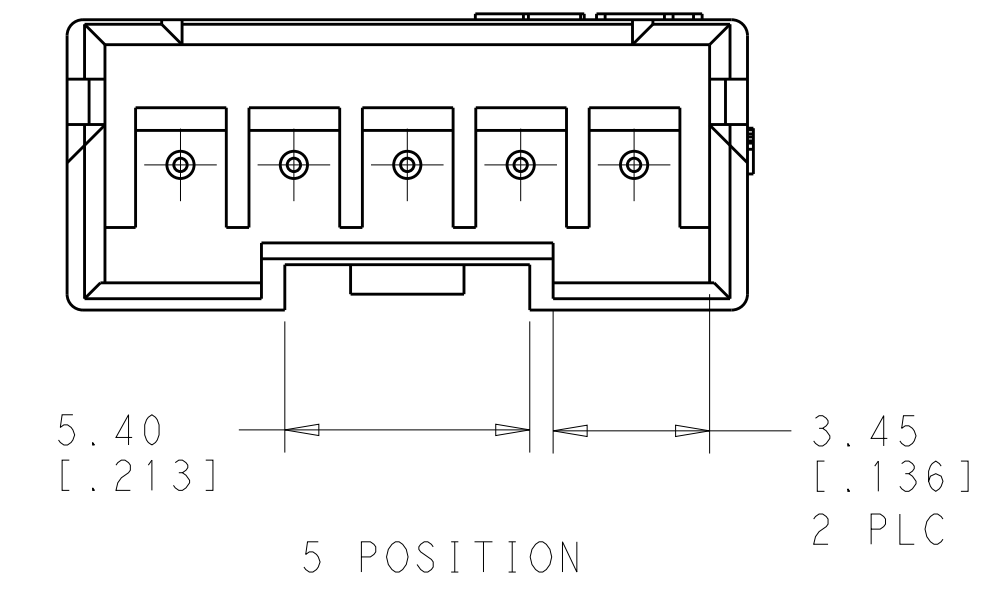
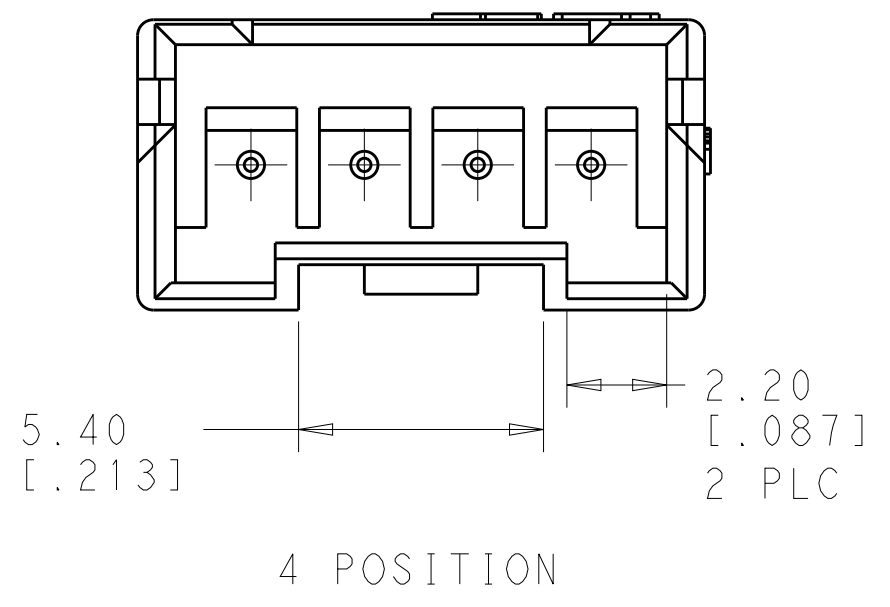
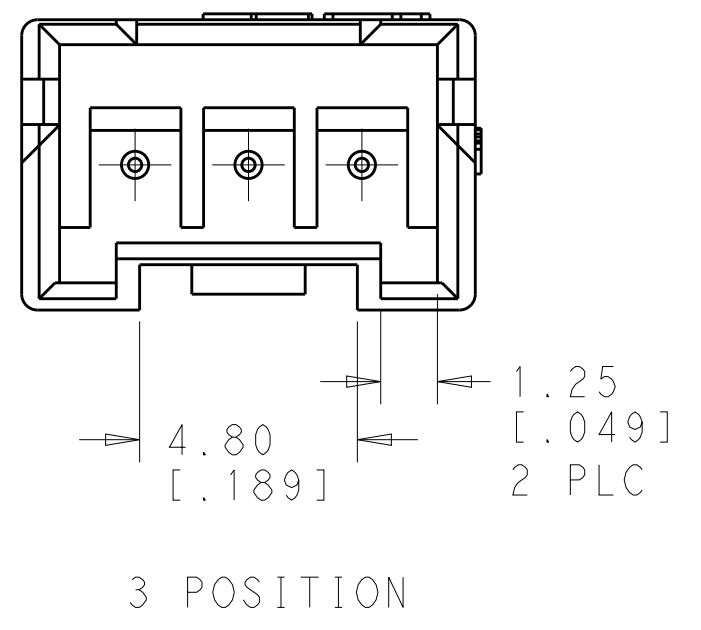
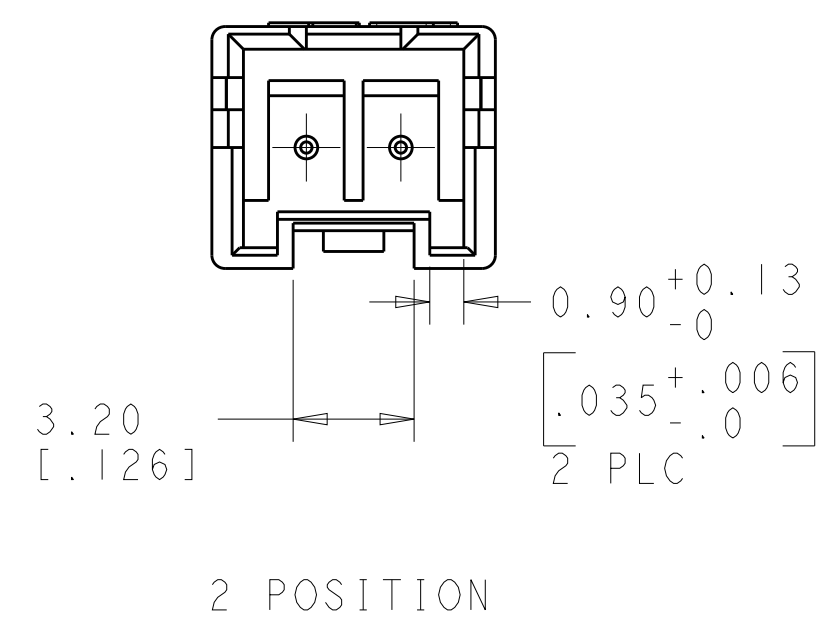


- 1 MATERIAL: HOUSING: HIGH PERFORMANCE RESIN, UL94V-0, NATURAL.
CONTACT: BRASS, NICKEL UNDER PLATING,
TIN PLATING ON PIN AREA.
- 2 CONTACT RETENTION: 20 NEWTON [4.5 lbf] MIN.
- 3 CONTACT SOLDER TAIL KINK DIRECTION SEE BELOW TABLE.



THIS DRAWING IS A CONTROLLED DOCUMENT.		DMN. RAGHAVENDRA 06JAN11	TE Connectivity
DIMENSIONS: mm [INCHES]		CHK. MACE SAMUEL 06JAN11	
TOLERANCES UNLESS OTHERWISE SPECIFIED:		APVD. MACE SAMUEL 06JAN11	NAME: HEADER ASSEMBLY, VERTICAL, ECONOMY POWER, 2.5mm CENTERLINE
0 PLC ± 0.50	1 PLC ± 0.30	PRODUCT SPEC 108-2418	SIZE: CAGE CODE DRAWING NO. RESTRICTED TO
2 PLC ± 0.20	3 PLC ± 0.10	APPLICATION SPEC 114-13315	A100779C=2132415
4 PLC \pm	ANGLES \pm	WEIGHT	SCALE 6:1 SHEET 1 OF 2 REV D4
MATERIAL	FINISH	CUSTOMER DRAWING	

REVISIONS				
P.	LTN	DESCRIPTION	DATE	APP'D
-	-	SEE SHEET 1	-	-



47.50[1.870]	50.83[2.001]	52.50[2.067]	20	2-2132415-0
45.00[1.772]	48.33[1.903]	50.00[1.968]	19	1-2132415-9
42.50[1.673]	45.83[1.804]	47.50[1.870]	18	1-2132415-8
40.00[1.575]	43.33[1.706]	45.00[1.772]	17	1-2132415-7
37.50[1.476]	40.83[1.607]	42.50[1.673]	16	1-2132415-6
35.00[1.378]	38.33[1.510]	40.00[1.575]	15	1-2132415-5
32.50[1.280]	35.83[1.411]	37.50[1.476]	14	1-2132415-4
30.00[1.181]	33.33[1.312]	35.00[1.378]	13	1-2132415-3
27.50[1.083]	30.83[1.214]	32.50[1.280]	12	1-2132415-2
25.00[.984]	28.33[1.115]	30.00[1.181]	11	1-2132415-1
22.50[.886]	25.83[1.016]	27.50[1.083]	10	1-2132415-0
20.00[.787]	23.33[.919]	25.00[.984]	9	2132415-9
17.50[.689]	20.83[.820]	22.50[.886]	8	2132415-8
15.00[.591]	18.33[.722]	20.00[.787]	7	2132415-7
12.50[.492]	15.83[.623]	17.50[.689]	6	2132415-6
10.00[.395]	13.33[.525]	15.00[.591]	5	2132415-5
7.50[.295]	10.83[.426]	12.50[.492]	4	2132415-4
5.00[.197]	8.33[.328]	10.00[.395]	3	2132415-3
2.50[.098]	5.83[.229]	7.50[.295]	2	2132415-2
DIM C	DIM B	DIM A	POS	PART NO

THIS DRAWING IS A CONTROLLED DOCUMENT. DWN: BRAGHAVENDRA 06JAN11
CHK: MACE SAMUEL 06JAN11

DIMENSIONS: mm [INCHES] TOLERANCES UNLESS OTHERWISE SPECIFIED:
0 PLC ±0.50
1 PLC ±0.30
2 PLC ±0.20
3 PLC ±0.10
4 PLC ±.05
ANGLES ±°
FINISH ±μ"

MATERIAL: - FINISH: -

CUSTOMER DRAWING

APRVD: MACE SAMUEL 06JAN11
NAME: HEADER ASSEMBLY, VERTICAL, ECONOMY POWER, 2.5mm CENTERLINE
PRODUCT SPEC: 108-2418
APPLICATION SPEC: 114-13315
WEIGHT: -
SCALE: 6:1 SHEET 2 OF 2 REV D4

STE TE Connectivity

SIZE: A1 CAGE CODE: 100779 DRAWING NO: 2132415

X-ON Electronics

Largest Supplier of Electrical and Electronic Components

Click to view similar products for [Headers & Wire Housings](#) category:

Click to view products by [TE Connectivity](#) manufacturer:

Other Similar products are found below :

[892-18-020-10-001101](#) [58102-G61-06LF](#) [582553-1](#) [0009485154](#) [009176003701906](#) [0050291907](#) [LY20-4P-DT1-P1E-BR](#) [02.125.8002.8](#)
[609-3404](#) [61062-3](#) [61082-181009](#) [622-3653LF](#) [63453-116](#) [636-1030](#) [636-1427](#) [636-3427](#) [636-4007](#) [641938-9](#) [641991-4](#) [644827-2](#) [65817-](#)
[010LF](#) [65817-015LF](#) [65863-015LF](#) [66207-023LF](#) [67095-007LF](#) [67601157](#) [68645-018](#) [68648-049](#) [70.362.1628.0](#) [70-4210](#) [70-4226B](#) [70-](#)
[4853B](#) [707-5020](#) [707-5028](#) [71.350.2428.0](#) [71918-208LF](#) [71961-016LF](#) [733-134](#) [733-162](#) [754199-000](#) [760-3052](#) [787-8014-00](#) [79531-3000](#)
[FCN-360C032-B](#) [FCN-367T-T012/H](#) [FCN-723D010/2](#) [80.063.4001.1](#) [800-90-001-10-001000](#) [800-90-010-10-002000](#) [801-43-002-10-013000](#)