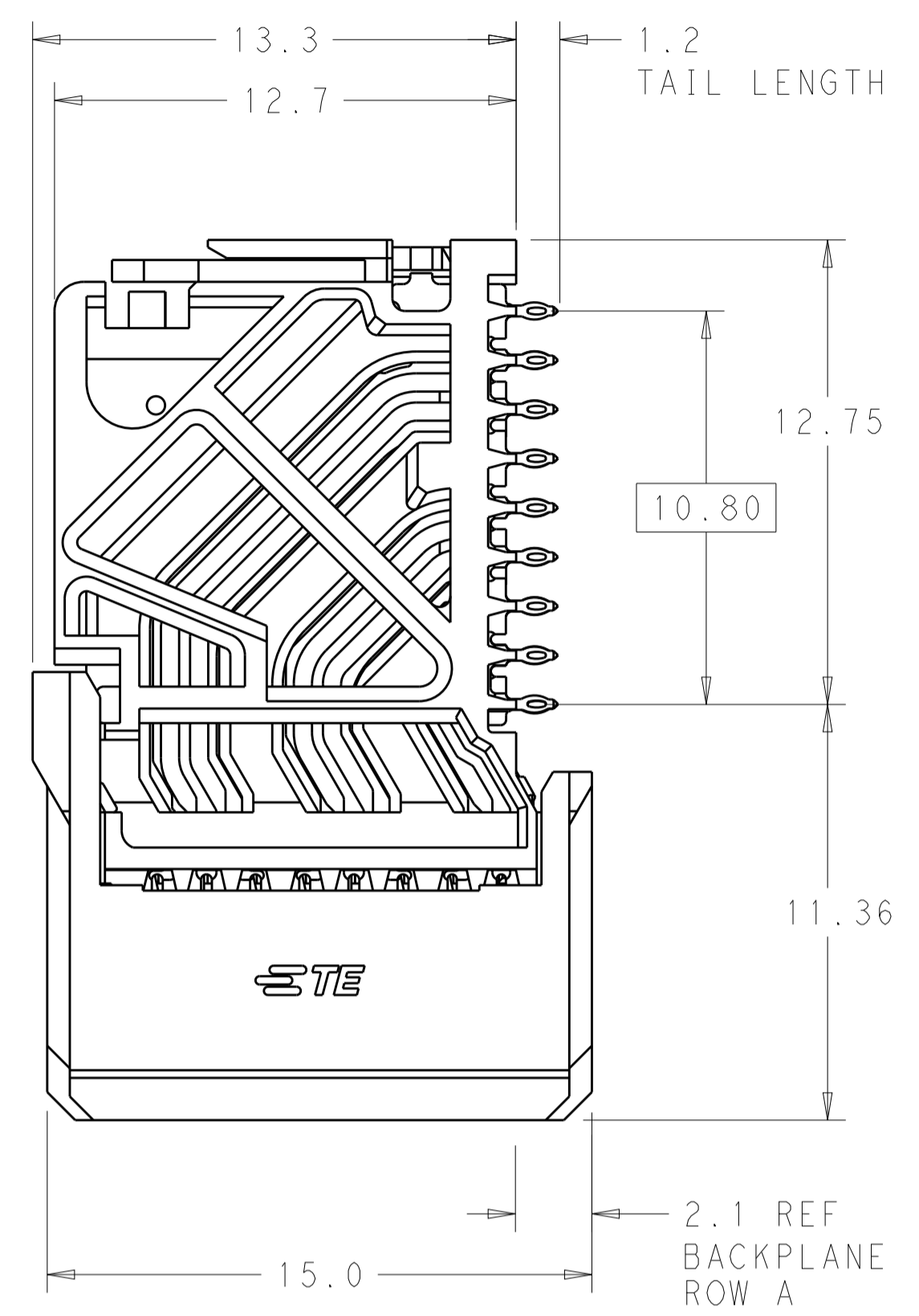
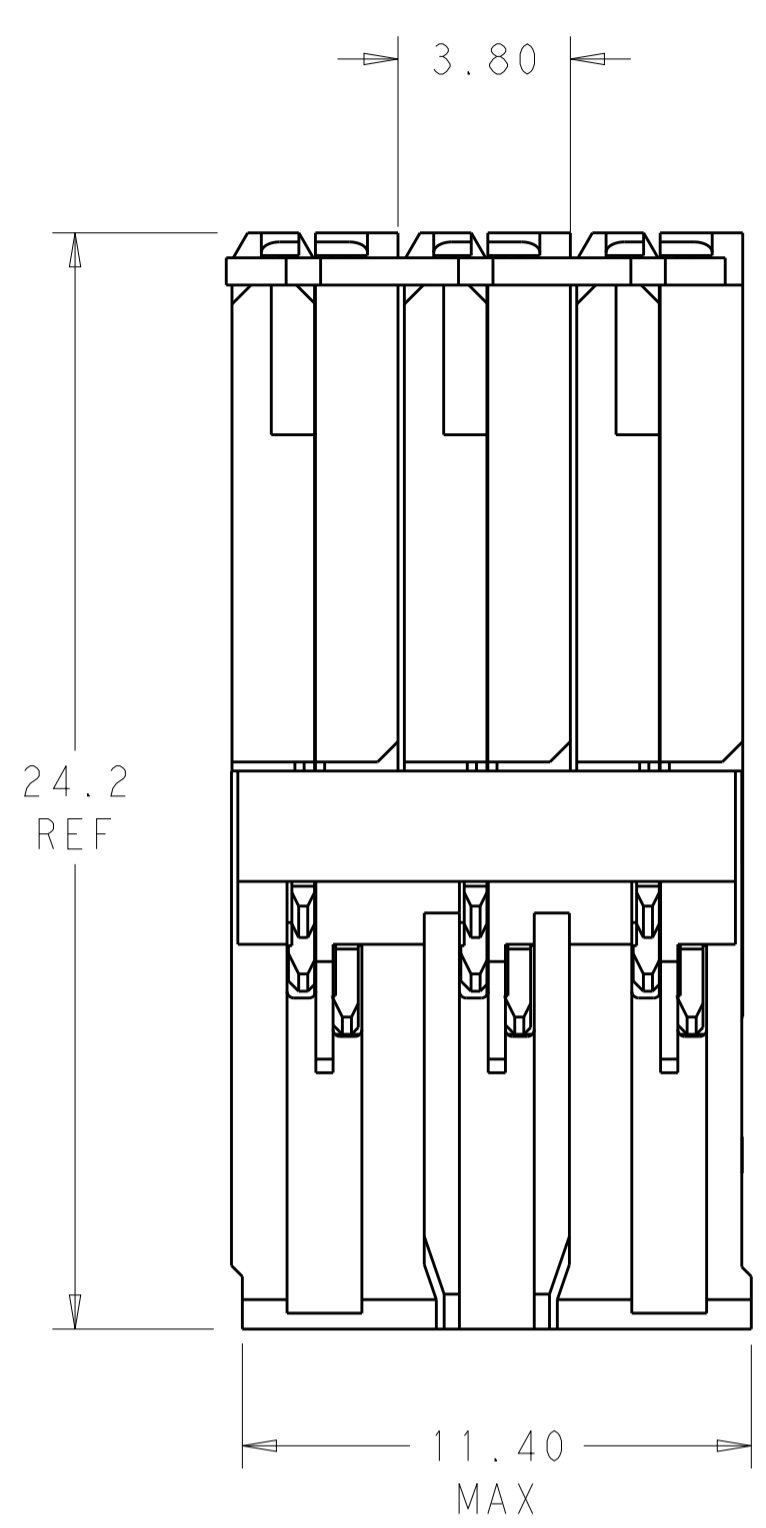
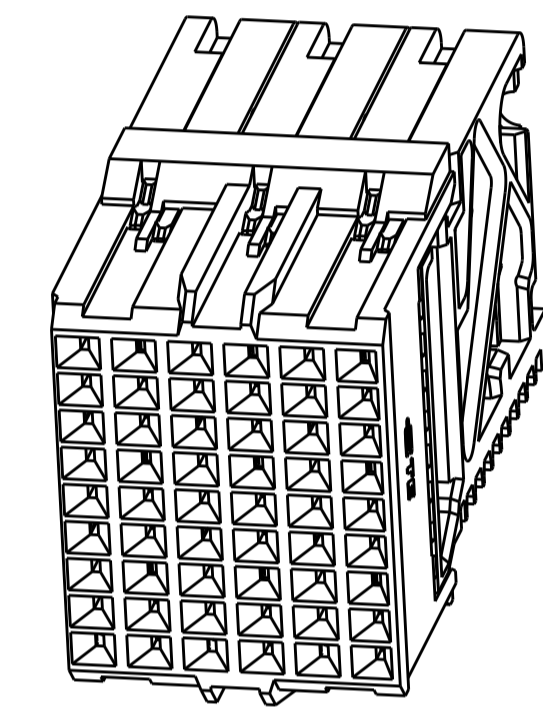


| LOC | | DIST | | REVISIONS | | | |
|-----|-----|---------------------------|-----------|-----------|------|--|--|
| P | LTN | DESCRIPTION | DATE | DWN | APVD | | |
| C1 | | REVISED PER ECO-14-018035 | 11MAR2015 | AP | DD | | |

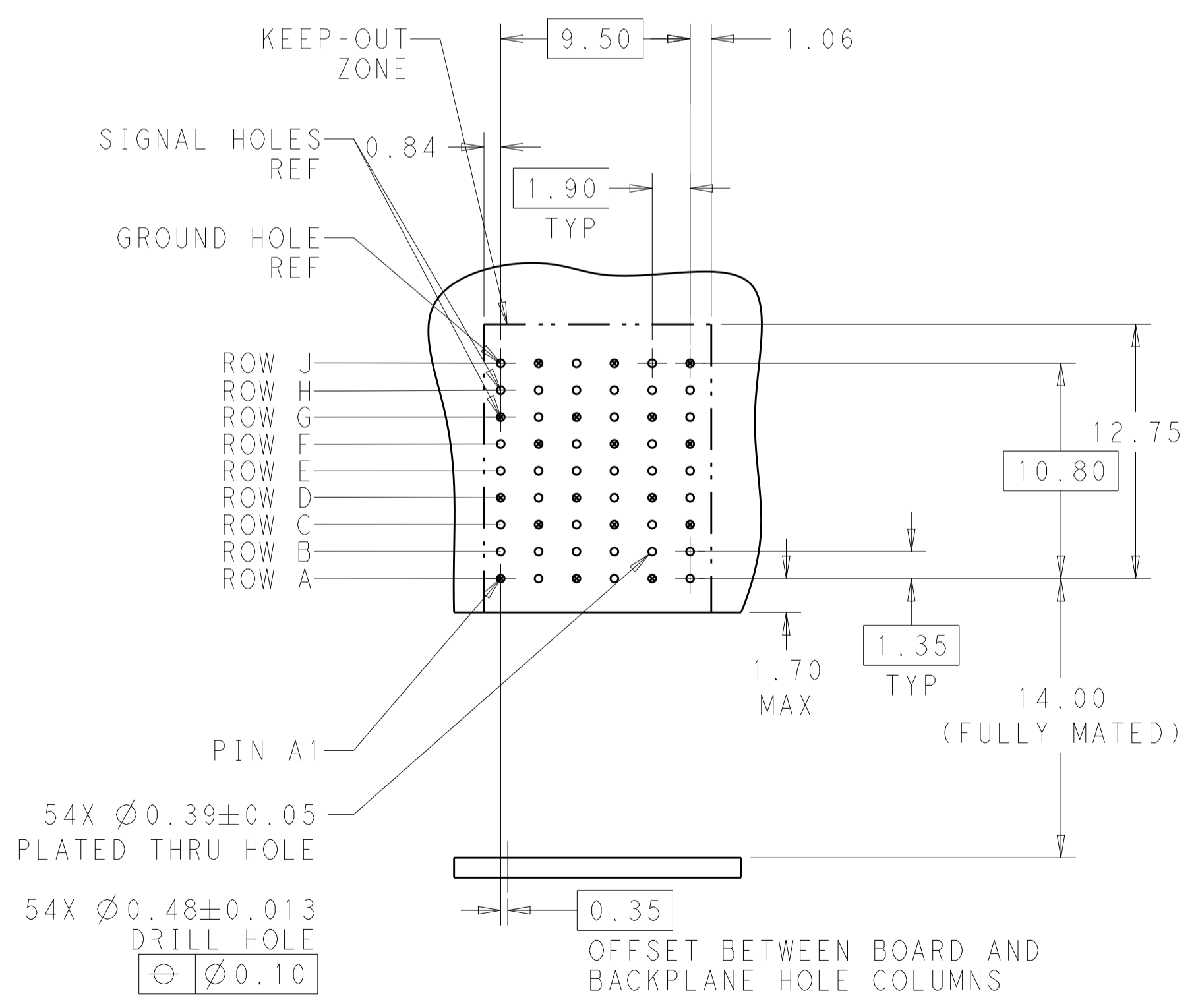
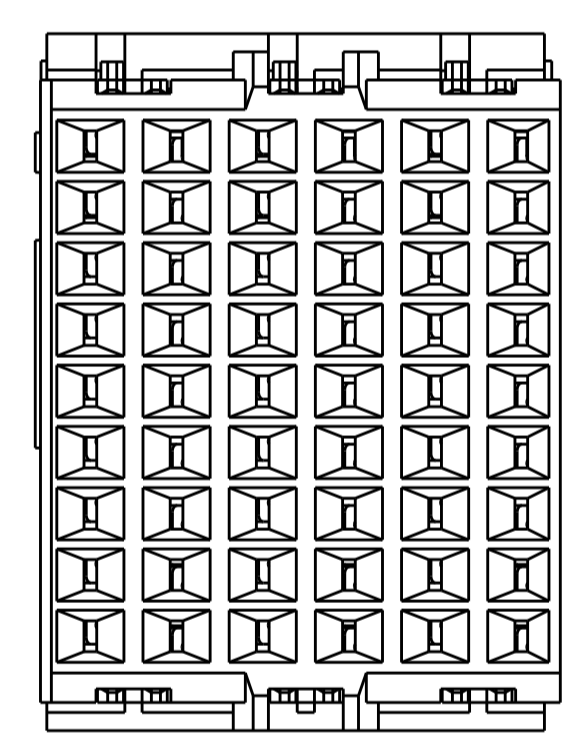


⚠ MATERIAL:
 HOUSING: LCP, GLASS FILLED, UL94V-0.
 TERMINALS: HIGH PERFORMANCE COPPER ALLOY.

⚠ FINISH:
 30μ" SELECTIVE GOLD IN CONTACT AREA. SELECTIVE TIN
 ON PCB TAILS, NICKEL OVERALL.



SCALE 4:1



RECOMMENDED PCB LAYOUT
 MIN BOARD THICKNESS 1.0

| | | |
|--------------|--------|-------------|
| NONE | ⚠ | 2132500-1 |
| KEY POSITION | FINISH | PART NUMBER |

| | | | | |
|--|--|-------------------------------|---|--|
| THIS DRAWING IS A CONTROLLED DOCUMENT. | | DWN Z. MILLER 23SEP2010 | NAME | |
| DIMENSIONS: | | CHK D. DIXON 23SEP2010 | IMPACT, 3 PAIR, DAUGHTERCARD 6 COLUMN, UNGUIDED, SIGNAL MODULE, 0.39 EYELET | |
| TOLERANCES UNLESS OTHERWISE SPECIFIED: | | APVD D. DIXON 23SEP2010 | SIZE CAGE CODE DRAWING NO RESTRICTED TO | |
| mm | | PRODUCT SPEC | A100779C=2132500 | |
| 0 PLC ± | | APPLICATION SPEC | SCALE 6:1 SHEET 1 OF 1 REV C1 | |
| 1 PLC ±0.2 | | WEIGHT | | |
| 2 PLC ±0.10 | | CUSTOMER DRAWING | | |
| 3 PLC ± | | | | |
| 4 PLC ± | | | | |
| ANGLES ± | | | | |
| FINISH SEE TABLE | | | | |

X-ON Electronics

Largest Supplier of Electrical and Electronic Components

Click to view similar products for [High Speed/Modular Connectors](#) category:

Click to view products by [TE Connectivity](#) manufacturer:

Other Similar products are found below :

[650827-1](#) [74040-1346](#) [1410191-1](#) [1410337-1](#) [1410368-3](#) [1410367-3](#) [1410971-4](#) [1467833-1](#) [2000877-1](#) [2000878-1](#) [2041314-1](#) [2065387-1](#)
[2187307-1](#) [163P](#) [1934290-1](#) [2000875-1](#) [2065799-1](#) [2065917-1](#) [2102736-2](#) [FSR-40](#) [2169868-2](#) [22354-8](#) [437-5040-000](#) [039-0246-000](#)
[0740618502](#) [0761601016](#) [73774-1000](#) [030-2415-003/100 PK](#) [030-7380-004](#) [030-2494-001](#) [532939-1](#) [5532901-3](#) [3-1469268-7](#) [UMK-SE](#)
[11,25-1](#) [74748-102LF](#) [10041743-101LF](#) [10066670-100002LF](#) [1-533915-1](#) [249-4515-000](#) [7-1469373-3](#) [DL2-2J/S](#) [2000713-8](#) [2000713-7](#)
[10124313-101LF](#) [1410189-2](#) [3011-21](#) [EBTF-4-10-2.0-S-RA-1](#) [430305-001](#) [4395800100](#) [8140115](#)