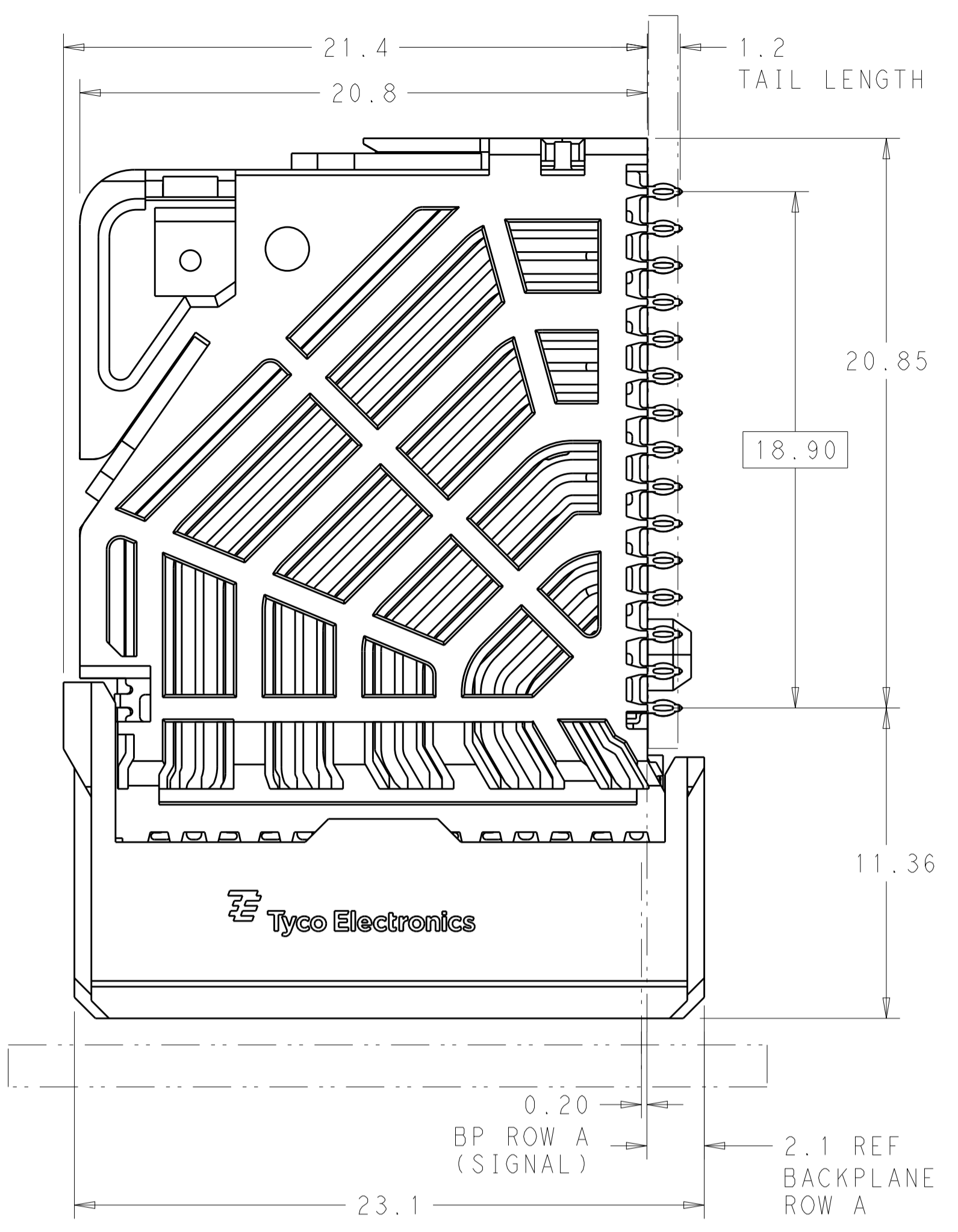
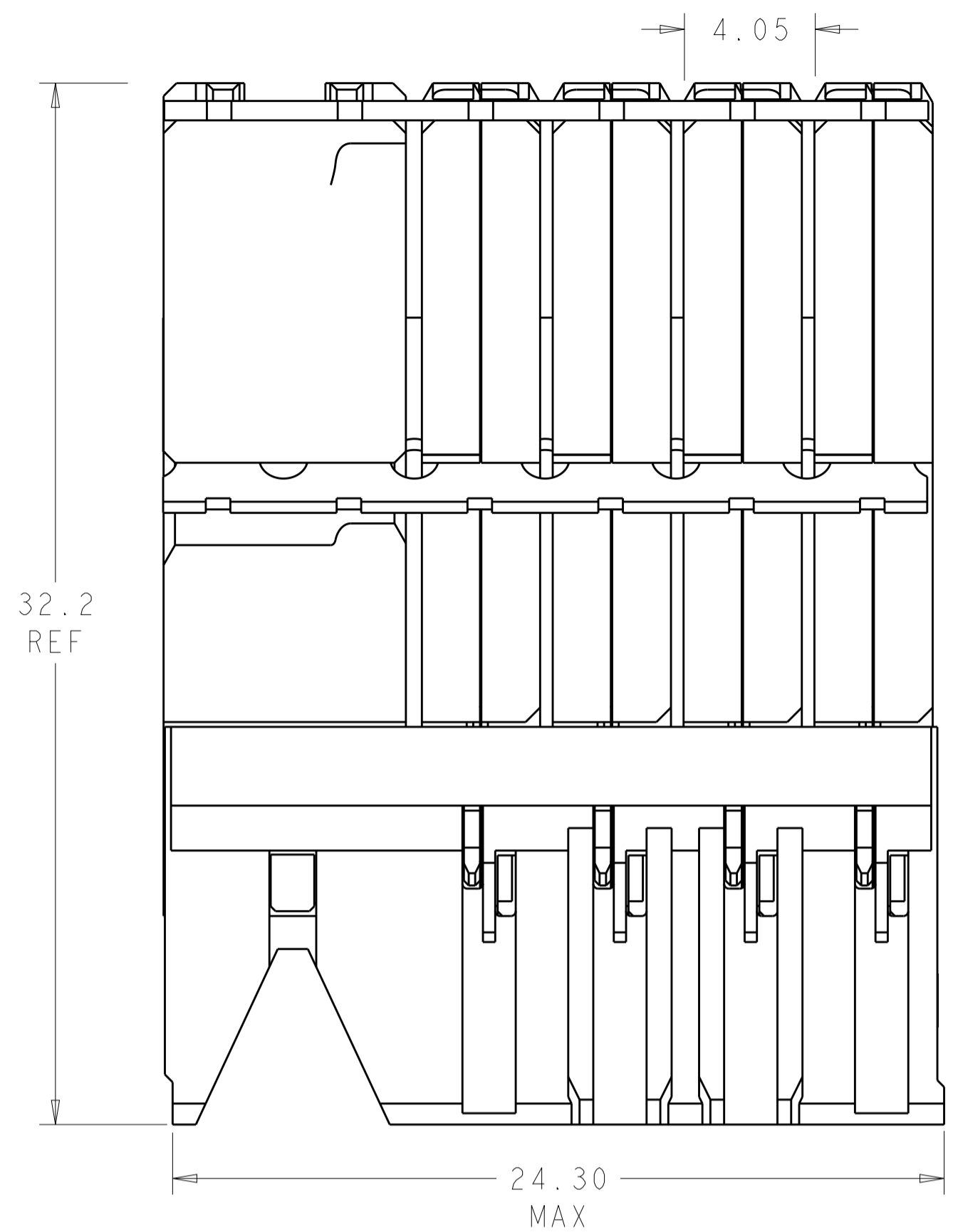
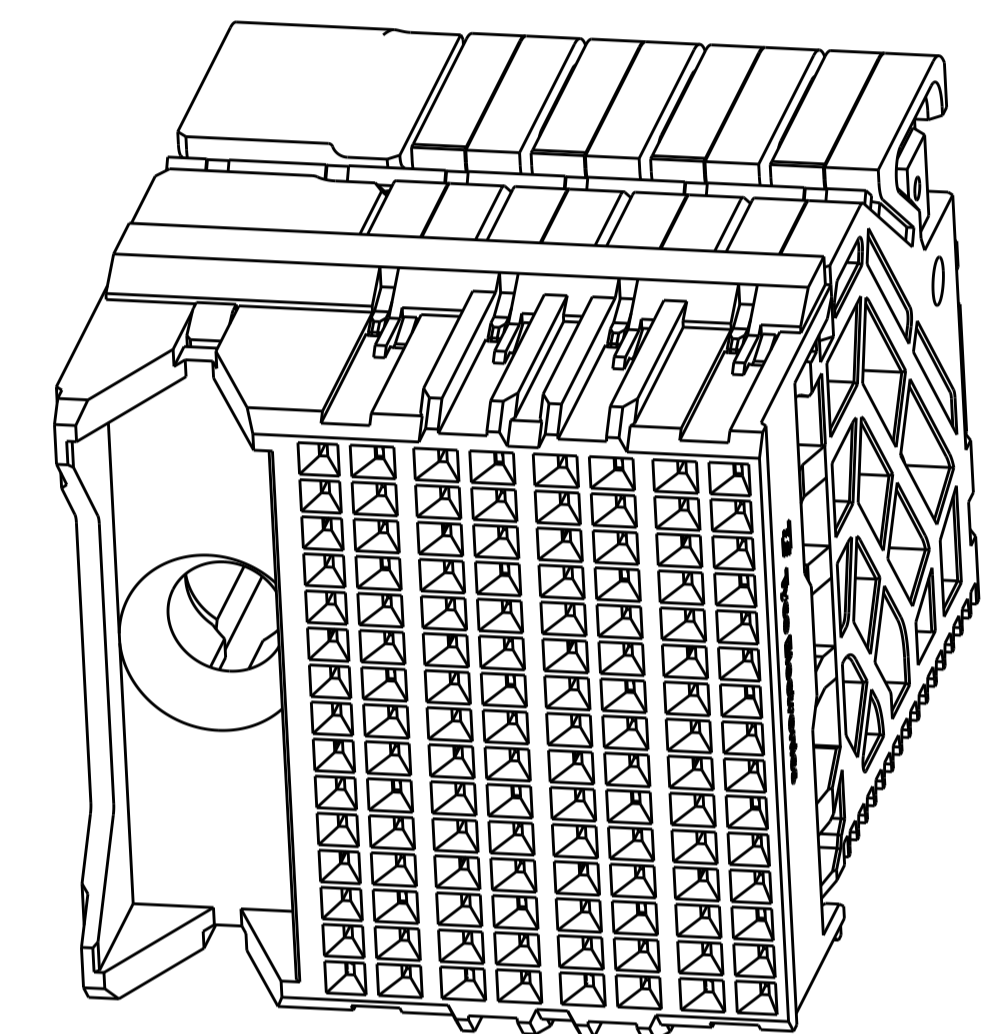


LOC	DIST	REVISIONS			
AD	00	REV	DATE	BY	APPV
		C	REVISED PER ECO-15-004915	10APR2015	AP DD

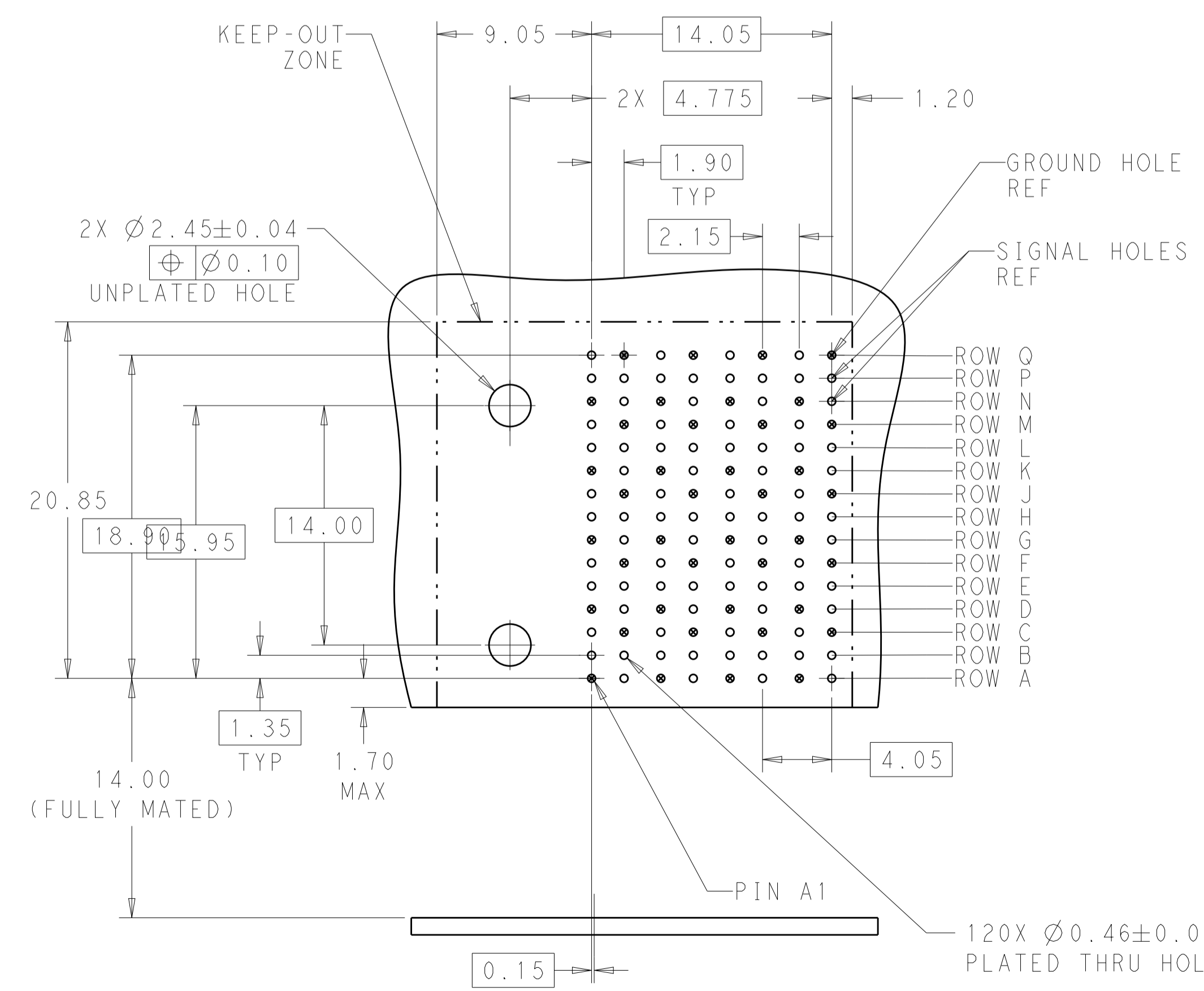
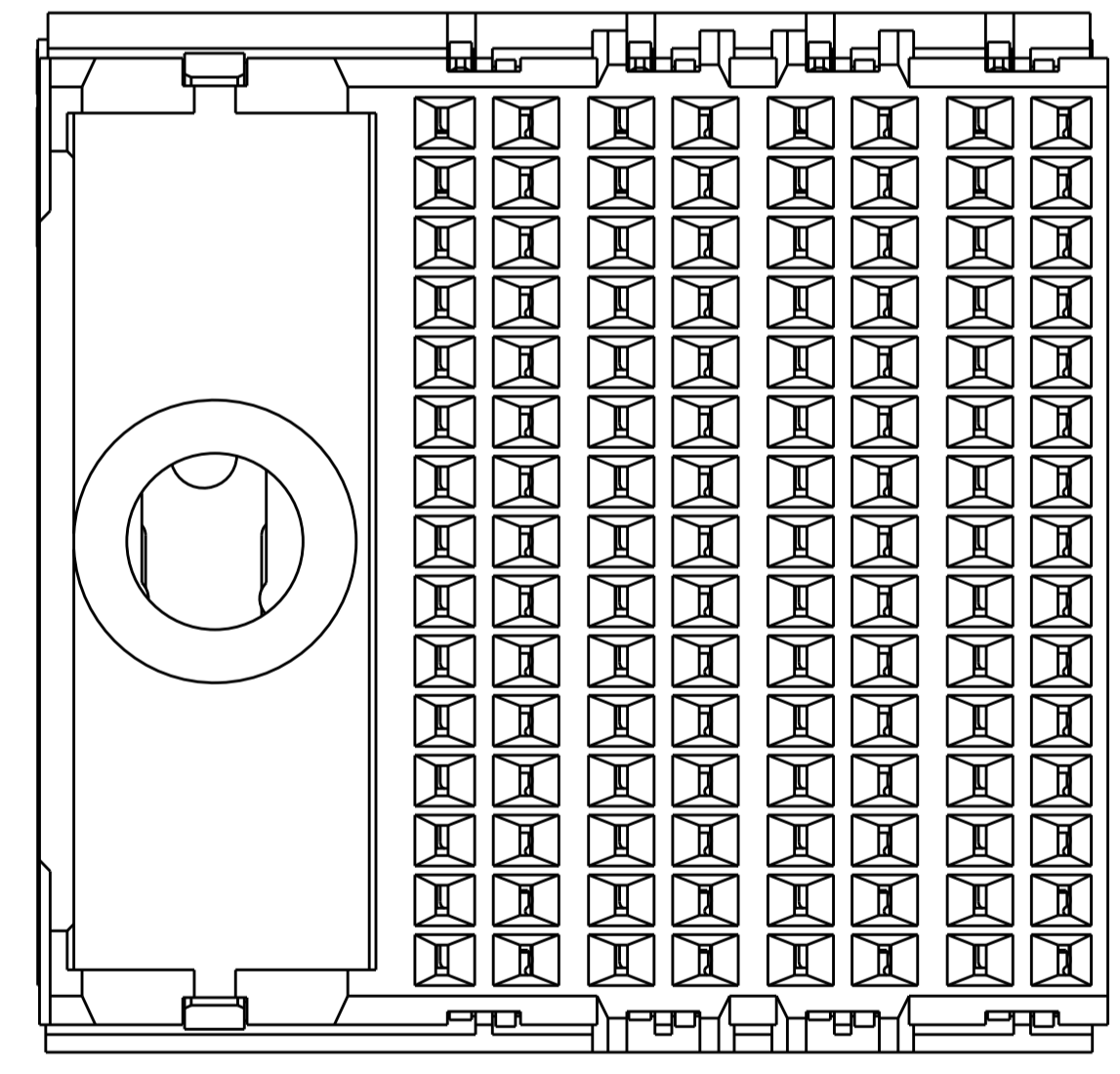


- ⚠ MATERIAL:
HOUSING: LCP, GLASS FILLED, UL94V-0.
TERMINALS: HIGH PERFORMANCE COPPER ALLOY.
- ⚠ FINISH:
30μ" SELECTIVE GOLD IN CONTACT AREA. SELECTIVE TIN ON PCB TAILS, NICKEL OVERALL.
- 3. CONNECTORS SUPPLIED WITH MOUNTING SCREWS.



SCALE 4:1

REFER TO WWW.TE.COM FOR PRODUCT AVAILABILITY



OFFSET BETWEEN BOARD AND BACKPLANE HOLE COLUMNS
RECOMMENDED PCB LAYOUT
MIN BOARD THICKNESS 1.0

NONE	⚠	2132699-1
KEY POSITION	FINISH	PART NUMBER

THIS DRAWING IS A CONTROLLED DOCUMENT.		DWN: 29APR2011	
DIMENSIONS: mm		CHK: D. DIXON 29APR2011	
TOLERANCES UNLESS OTHERWISE SPECIFIED:		APVD: D. DIXON 29APR2011	IMPACT, ORTHOGONAL, 5 PAIR, DAUGHTERCARD, 8 COLUMN, LEFT GUIDED, SIGNAL MODULE, 0.46 EYELET
0 PLC ±0.25		PRODUCT SPEC	
1 PLC ±0.15		APPLICATION SPEC	SIZE: CAGE CODE DRAWING NO. RESTRICTED TO
2 PLC ±		WEIGHT	A100779C=2132699
3 PLC ±		CUSTOMER DRAWING	SCALE: 6:1 SHEET 1 OF 1 REV C
4 PLC ±			
ANGLES			
FINISH: SEE TABLE			

X-ON Electronics

Largest Supplier of Electrical and Electronic Components

Click to view similar products for [High Speed/Modular Connectors](#) category:

Click to view products by [TE Connectivity](#) manufacturer:

Other Similar products are found below :

[650827-1](#) [74040-1346](#) [1410191-1](#) [1410368-3](#) [1410964-2](#) [1410326-3](#) [1410367-3](#) [1410971-4](#) [1467833-1](#) [2000877-1](#) [2000878-1](#) [2041314-1](#)
[2065387-1](#) [2187307-1](#) [163P](#) [1934290-1](#) [2000875-1](#) [2065917-1](#) [2102736-2](#) [FSR-40](#) [2169868-2](#) [22354-8](#) [437-5040-000](#) [5-1393565-0](#) [039-](#)
[0246-000](#) [0740618502](#) [0761601016](#) [0784461022](#) [10123159-12ELF](#) [030-2415-003/100 PK](#) [030-7380-004](#) [030-2494-001](#) [532939-1](#) [5532901-](#)
[3](#) [3-1469268-7](#) [74748-102LF](#) [10041743-101LF](#) [10066670-100002LF](#) [1-533915-1](#) [249-4515-000](#) [7-1469373-3](#) [DL2-2J/S](#) [2000713-8](#)
[2000713-7](#) [10124313-101LF](#) [3011-21](#) [757105208](#) [430305-001](#) [4395800100](#) [8140115](#)