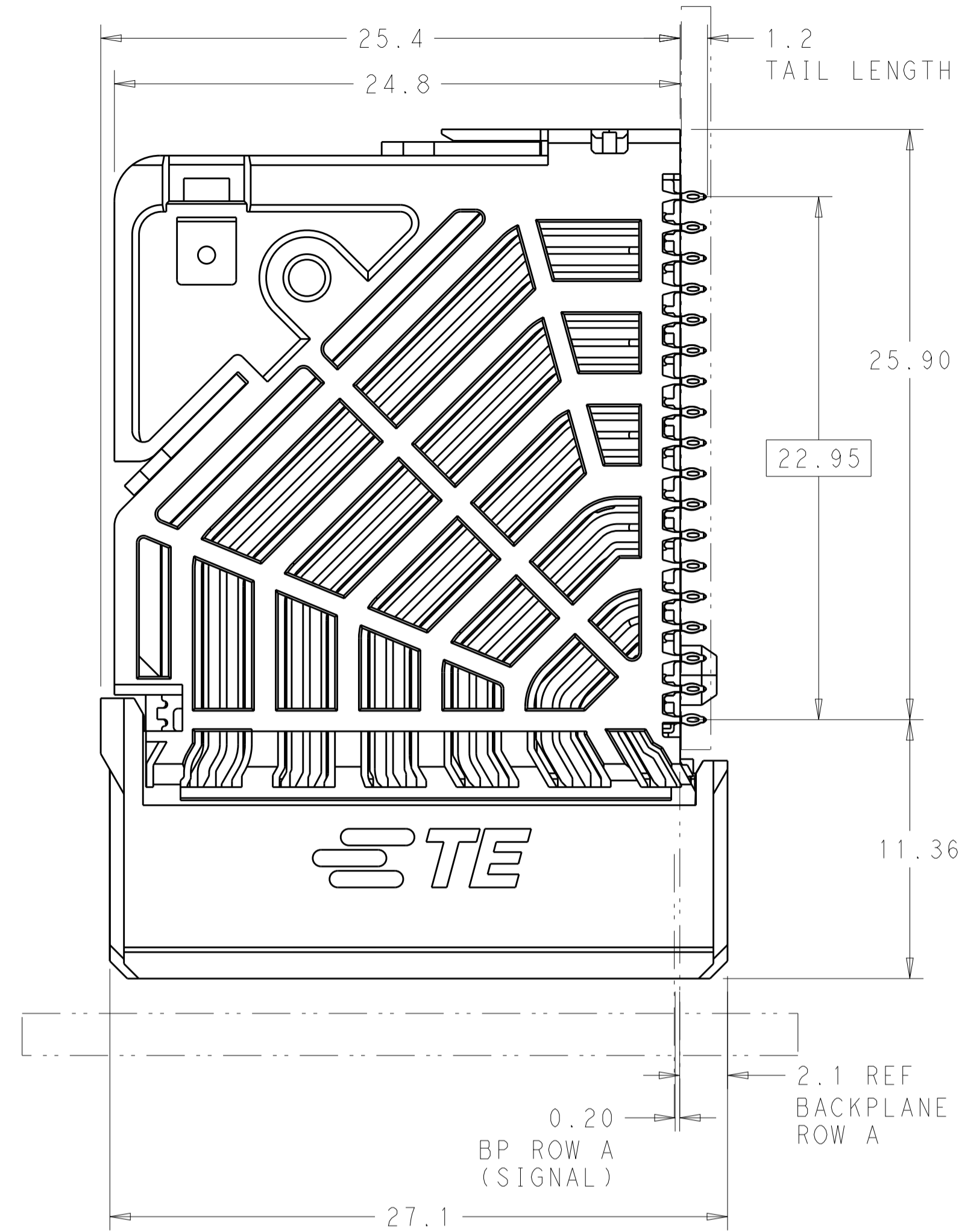
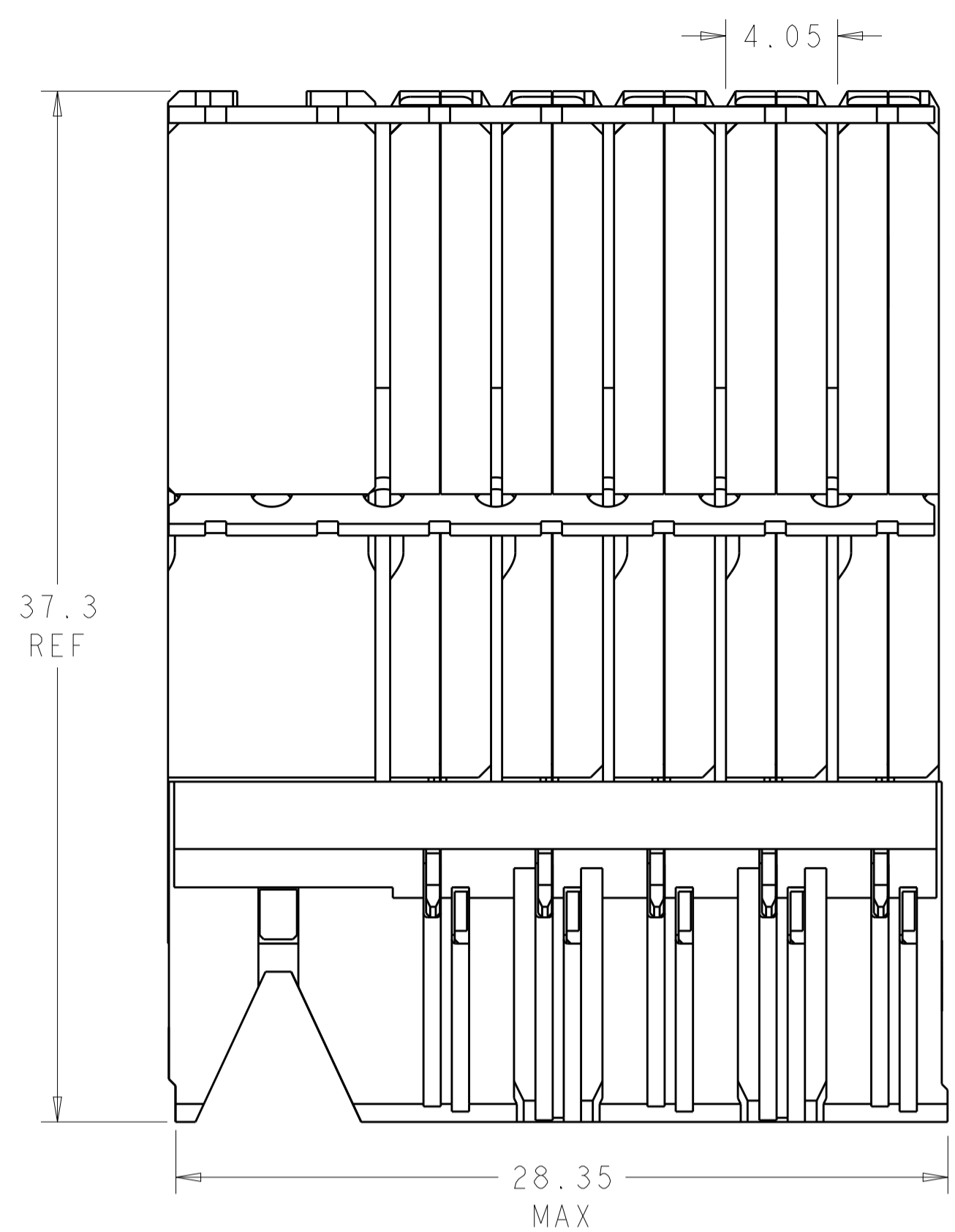
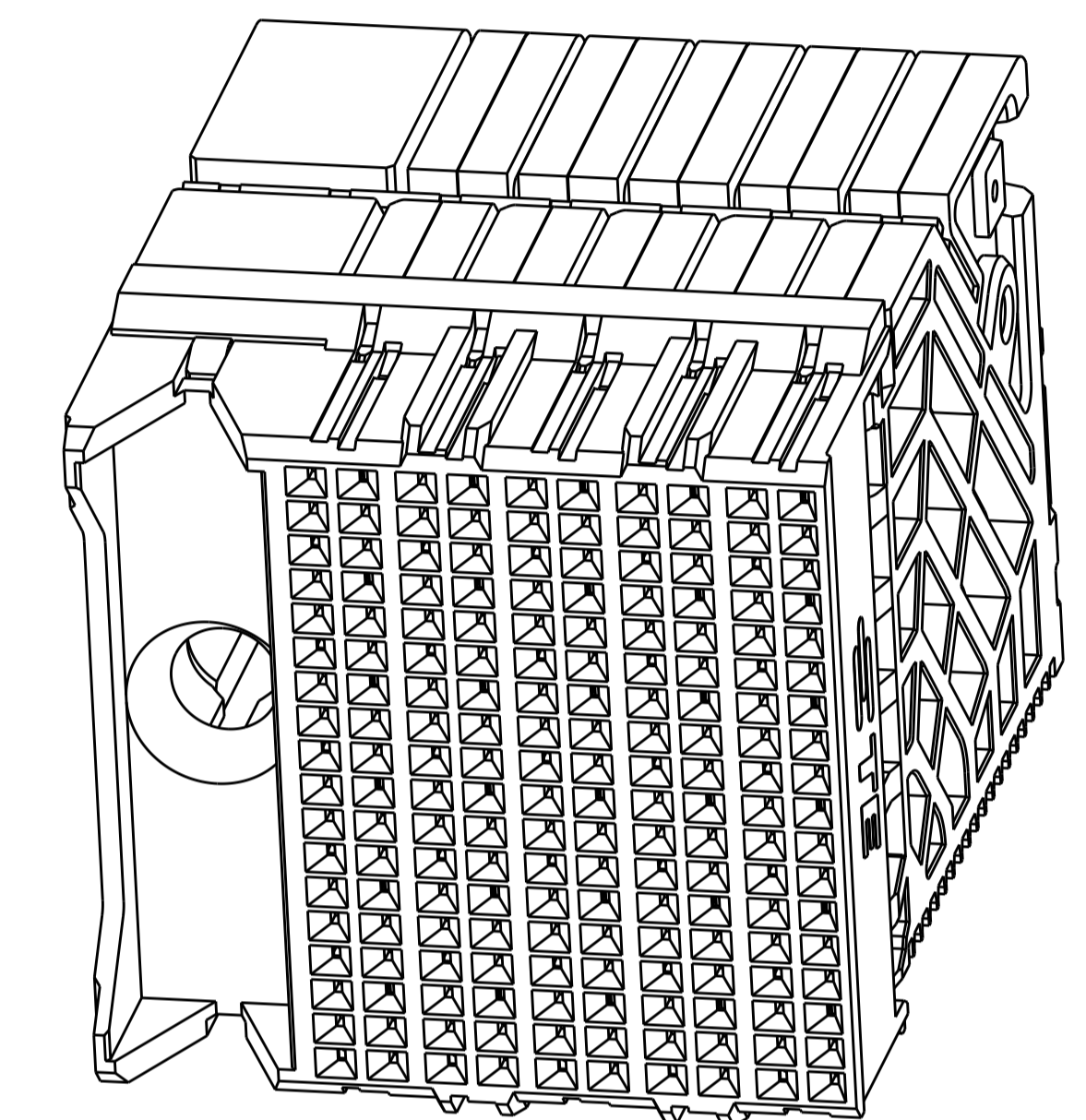


| LOC | | DIST | | REVISIONS | | | |
|-----|----|------|-----|---------------------------|-----------|-----|------|
| AD | 00 | P | LTN | DESCRIPTION | DATE | DWN | APVD |
| | | D | | REVISED PER ECO-15-012351 | 03SEP2015 | AP | SY |

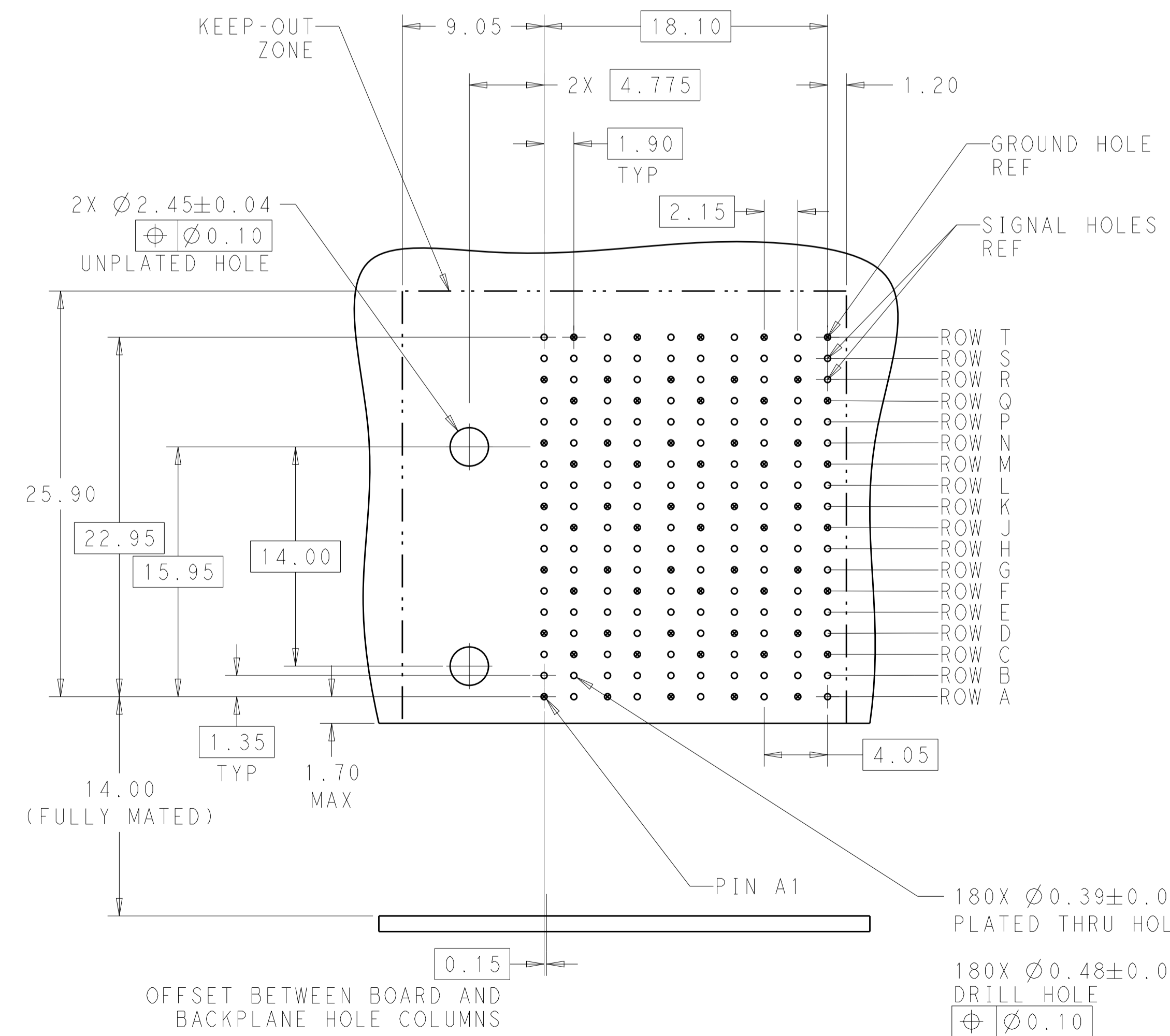
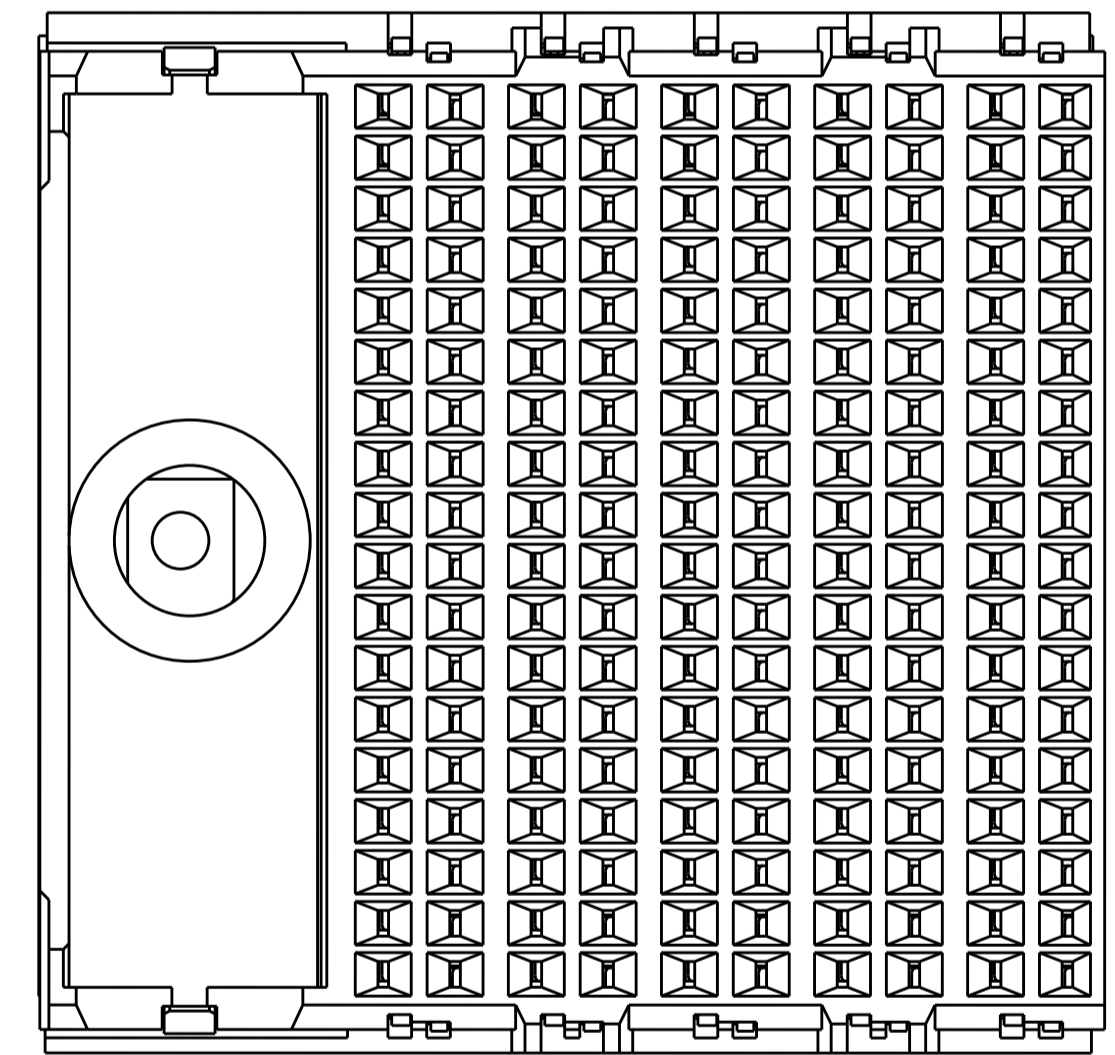


- ⚠ MATERIAL:
HOUSING: LCP, GLASS FILLED, UL94V-0.
TERMINALS: HIGH PERFORMANCE COPPER ALLOY.
- ⚠ FINISH:
30μ" SELECTIVE GOLD IN CONTACT AREA. SELECTIVE TIN ON PCB TAILS, NICKEL OVERALL.
- 3. CONNECTORS SUPPLIED WITH MOUNTING SCREWS.



SCALE 4:1

REFER TO WWW.TE.COM FOR PRODUCT AVAILABILITY



RECOMMENDED PCB LAYOUT
 MIN BOARD THICKNESS 1.0

| | | |
|--------------|--------|-------------|
| NONE | ⚠ | 2132724-1 |
| KEY POSITION | FINISH | PART NUMBER |

| | | | | |
|--|------------------|------------------|----------------------|--|
| THIS DRAWING IS A CONTROLLED DOCUMENT. | | DWN | 11MAY2011 | TE Connectivity |
| DIMENSIONS: | | CHK | 11MAY2011 | |
| mm | 0 PLC ± | APVD | 11MAY2011 | NAME IMPACT, ORTHOGONAL, 6 PAIR, DAUGHTERCARD, 10 COLUMN, LEFT GUIDED, SIGNAL MODULE, 0.39 EYELET |
| | 1 PLC ±0.25 | PRODUCT SPEC | | |
| | 2 PLC ±0.15 | APPLICATION SPEC | | |
| | 3 PLC ± | WEIGHT | | |
| MATERIAL | 4 PLC ± | SIZE | CAGE CODE DRAWING NO | RESTRICTED TO |
| | ANGLES ± | A1 | 00779 | ©=2132724 |
| | FINISH SEE TABLE | Customer Drawing | SCALE 5:1 | SHEET 1 OF 1 |
| | | | | REV D |

X-ON Electronics

Largest Supplier of Electrical and Electronic Components

Click to view similar products for [High Speed/Modular Connectors](#) category:

Click to view products by [TE Connectivity](#) manufacturer:

Other Similar products are found below :

[650827-1](#) [74040-1346](#) [1410191-1](#) [1410368-3](#) [1410964-2](#) [1410326-3](#) [1410367-3](#) [1410971-4](#) [1467833-1](#) [2000877-1](#) [2000878-1](#) [2041314-1](#)
[2065387-1](#) [2187307-1](#) [163P](#) [1934290-1](#) [2000875-1](#) [2065917-1](#) [2102736-2](#) [FSR-40](#) [2169868-2](#) [22354-8](#) [437-5040-000](#) [5-1393565-0](#) [039-](#)
[0246-000](#) [0761601016](#) [0784461022](#) [10123159-12ELF](#) [030-2415-003/100 PK](#) [030-7380-004](#) [030-2494-001](#) [532939-1](#) [5532901-3](#) [3-1469268-](#)
[7](#) [74748-102LF](#) [10041743-101LF](#) [10066670-100002LF](#) [1-533915-1](#) [249-4515-000](#) [7-1469373-3](#) [DL2-2J/S](#) [2000713-8](#) [2000713-7](#)
[10124313-101LF](#) [3011-21](#) [757105208](#) [EBTF-4-10-2.0-S-RA-1](#) [430305-001](#) [4395800100](#) [8140115](#)