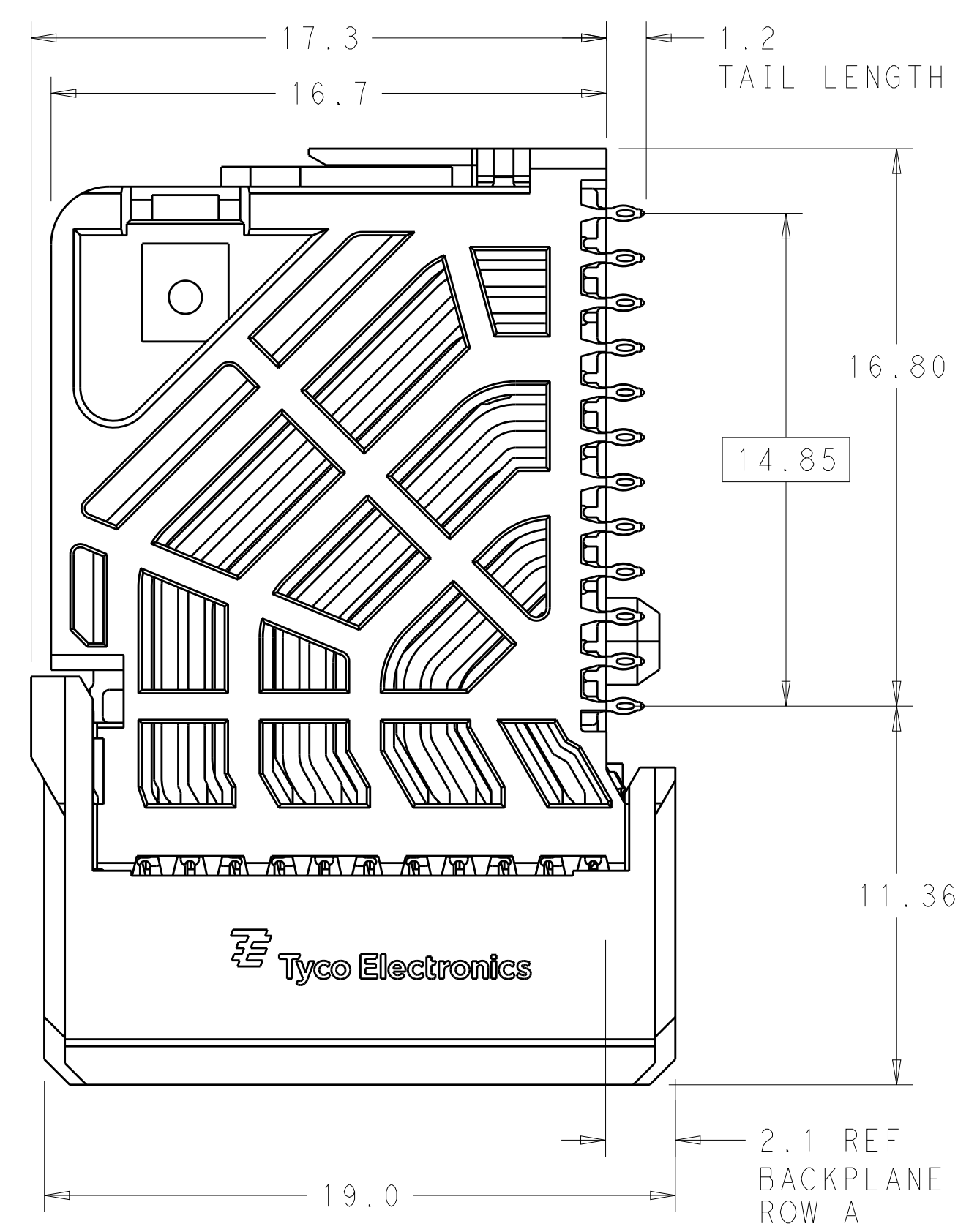
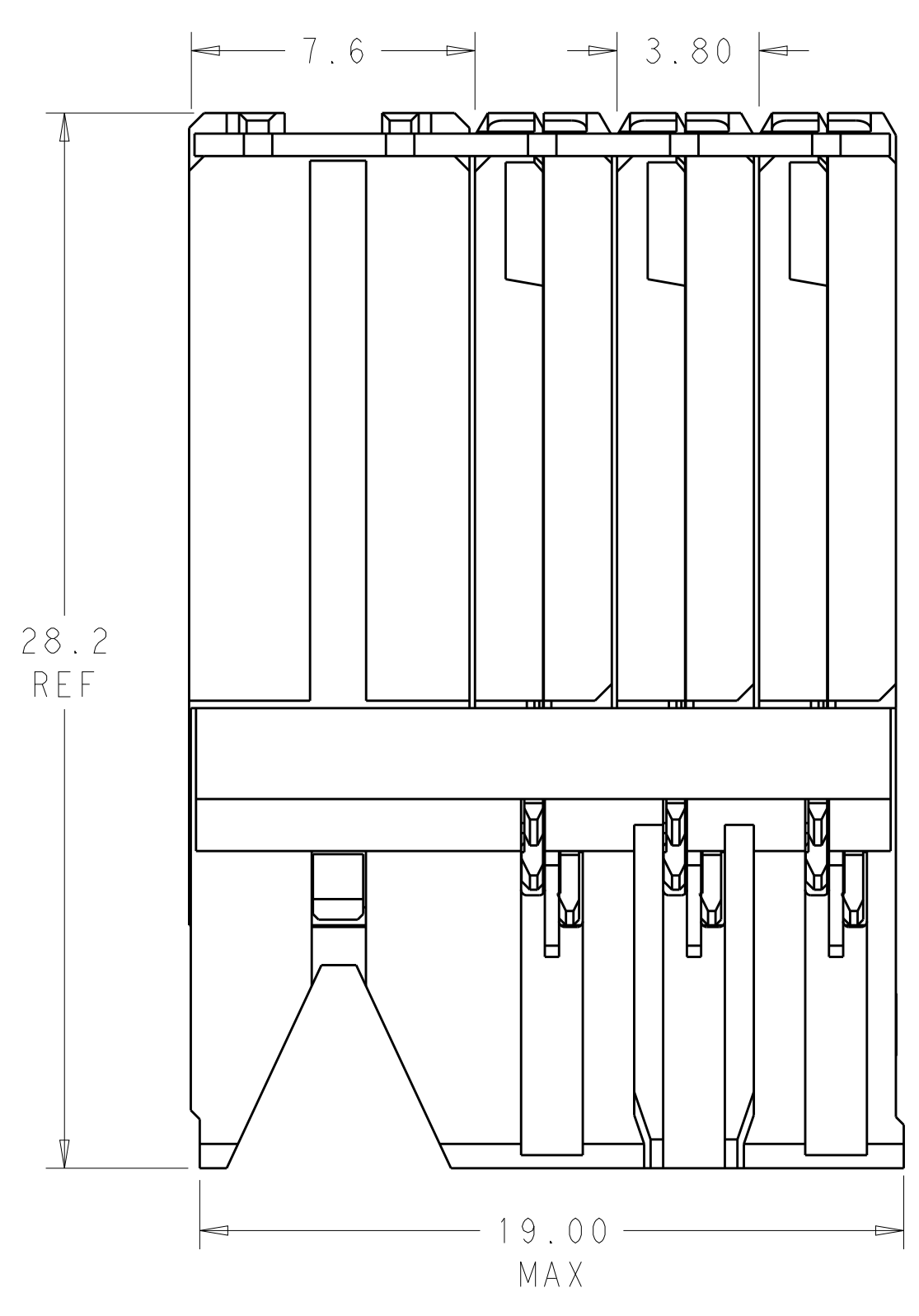
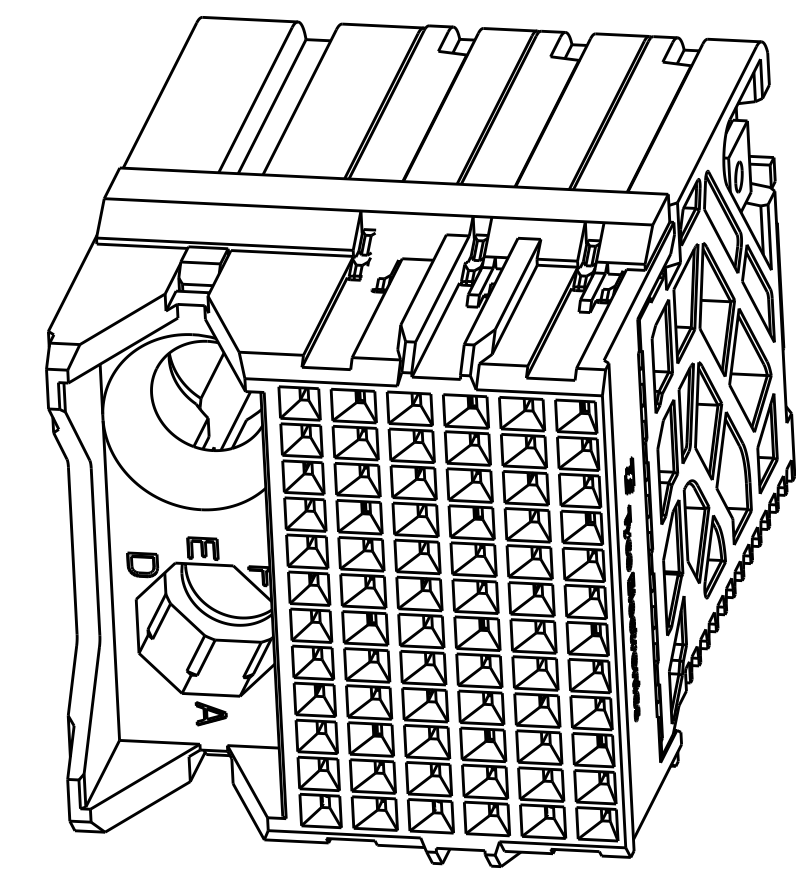


| REVISIONS | | | | |
|-----------|-----|---------------------------|-----------|----------|
| P. | LTN | DESCRIPTION | DATE | OWN APVD |
| C1 | | REVISED PER ECO-14-018036 | 18FEB2015 | AP DD |

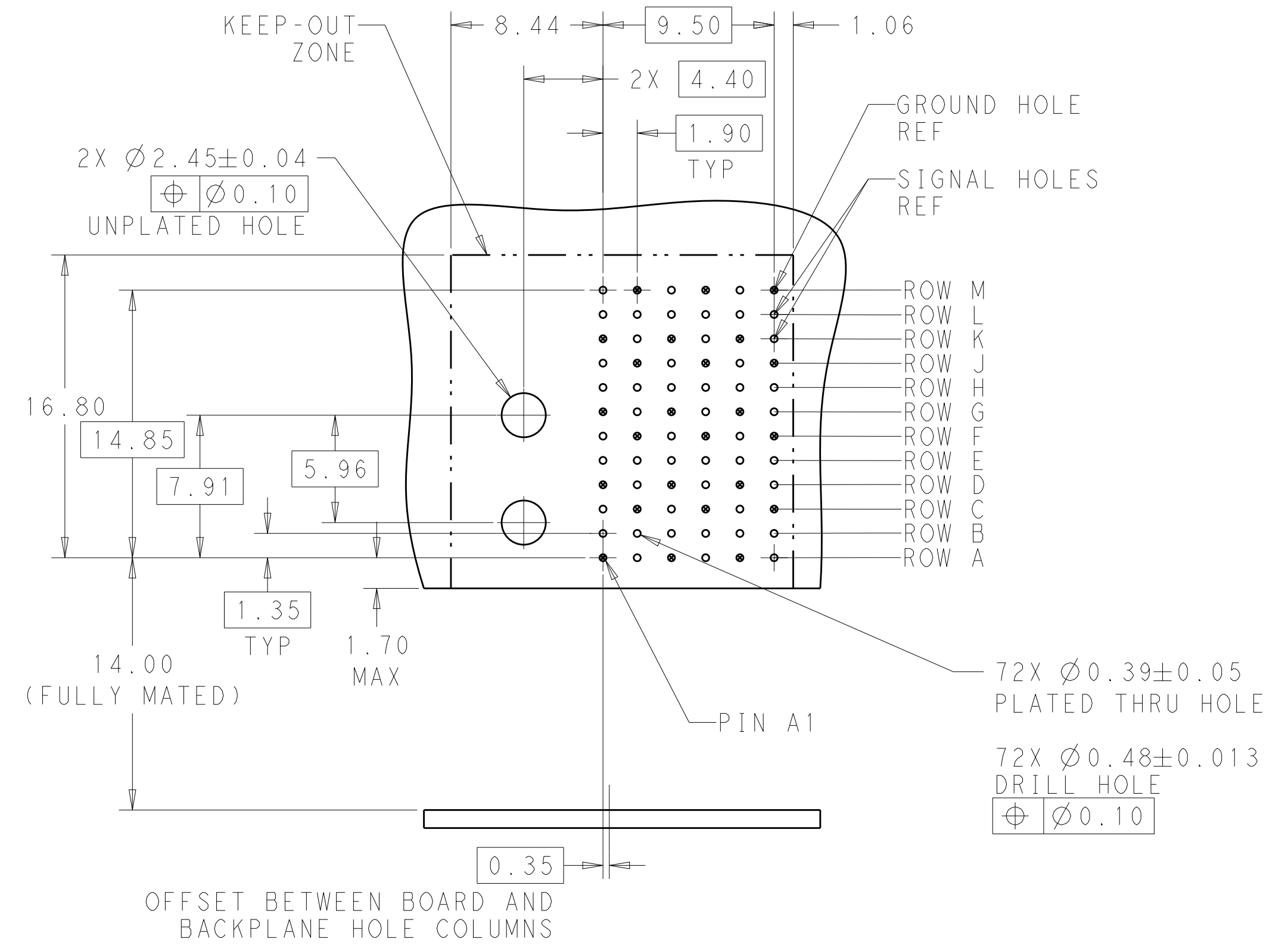
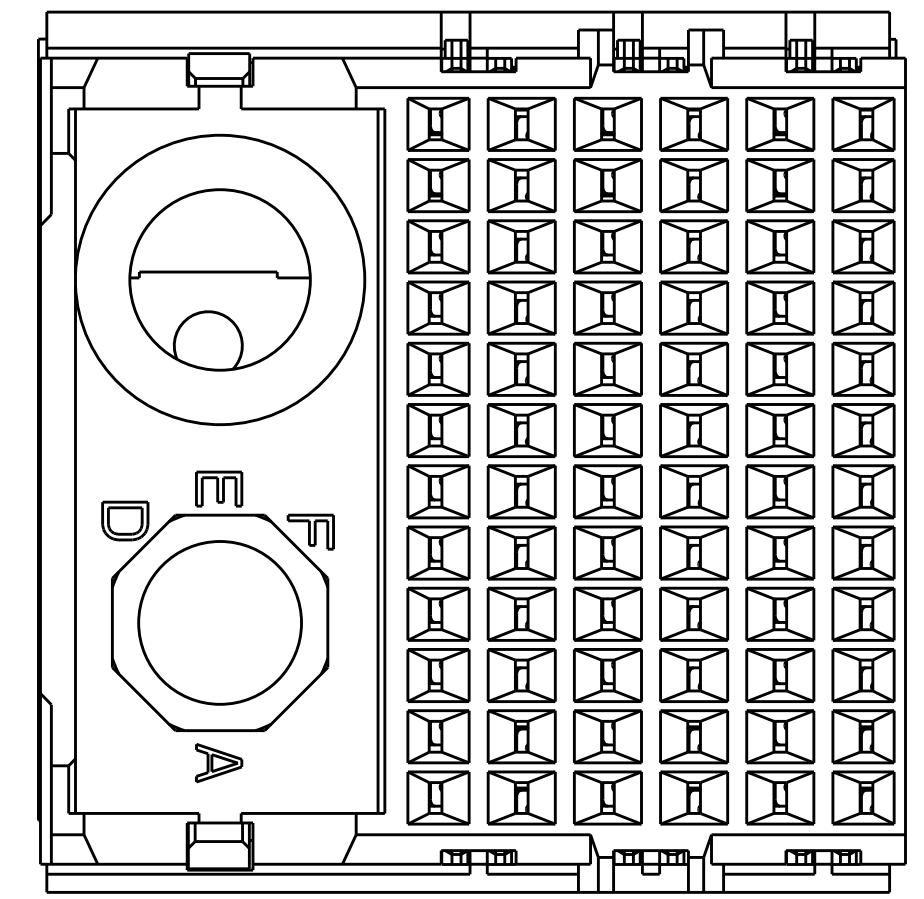


- ⚠ MATERIAL:
HOUSING: LCP, GLASS FILLED, UL94V-0.
TERMINALS: HIGH PERFORMANCE COPPER ALLOY.
- ⚠ FINISH:
30μ" SELECTIVE GOLD IN CONTACT AREA. SELECTIVE TIN ON PCB TAILS, NICKEL OVERALL.
- 3. CONNECTORS SUPPLIED WITH MOUNTING SCREWS



SCALE 4:1

REFER TO WWW.TE.COM FOR PRODUCT AVAILABILITY



| KEY POSITION CHART | |
|--------------------|------|
| | NONE |
| | A |
| | B |
| | C |
| | D |
| | E |
| | F |
| | G |
| | H |

| H | ⚠ | 8-2132737-1 |
|--------------|--------|-------------|
| G | ⚠ | 7-2132737-1 |
| F | ⚠ | 6-2132737-1 |
| E | ⚠ | 5-2132737-1 |
| D | ⚠ | 4-2132737-1 |
| C | ⚠ | 3-2132737-1 |
| B | ⚠ | 2-2132737-1 |
| A | ⚠ | 1-2132737-1 |
| NONE | ⚠ | 2132737-1 |
| KEY POSITION | FINISH | PART NUMBER |

THIS DRAWING IS A CONTROLLED DOCUMENT.

DWN: B. CARBO 27DEC2010
 CHK: D. DIXON 27DEC2010
 APVD: D. DIXON 27DEC2010

TE Connectivity

NAME: IMPACT, 4 PAIR, DAUGHTERCARD
 PRODUCT SPEC: 6 COLUMN, LEFT GUIDED, SIGNAL
 APPLICATION SPEC: MODULE, 0.39 EYELET

SIZE: A1
 CAGE CODE: 00779
 DRAWING NO: 2132737

RESTRICTED TO: -

MATERIAL: SEE TABLE
 FINISH: SEE TABLE

WEIGHT: -
 CUSTOMER DRAWING

SCALE: 6:1
 SHEET: 1 OF 1
 REV: C1

X-ON Electronics

Largest Supplier of Electrical and Electronic Components

Click to view similar products for [High Speed/Modular Connectors](#) category:

Click to view products by [TE Connectivity](#) manufacturer:

Other Similar products are found below :

[650827-1](#) [74040-1346](#) [1410191-1](#) [1410368-3](#) [1410964-2](#) [1410326-3](#) [1410367-3](#) [1410971-4](#) [1467833-1](#) [2000877-1](#) [2000878-1](#) [2041314-1](#)
[2065387-1](#) [2187307-1](#) [163P](#) [1934290-1](#) [2000875-1](#) [2065917-1](#) [2102736-2](#) [FSR-40](#) [2169868-2](#) [22354-8](#) [437-5040-000](#) [5-1393565-0](#) [039-](#)
[0246-000](#) [0761601016](#) [0784461022](#) [10123159-12ELF](#) [030-2415-003/100 PK](#) [030-7380-004](#) [030-2494-001](#) [532939-1](#) [5532901-3](#) [3-1469268-](#)
[7](#) [74748-102LF](#) [73670-0247](#) [10041743-101LF](#) [10066670-100002LF](#) [1-533915-1](#) [249-4515-000](#) [7-1469373-3](#) [DL2-2J/S](#) [2000713-8](#)
[2000713-7](#) [10124313-101LF](#) [3011-21](#) [757105208](#) [EBTF-4-10-2.0-S-RA-1](#) [430305-001](#) [4395800100](#)