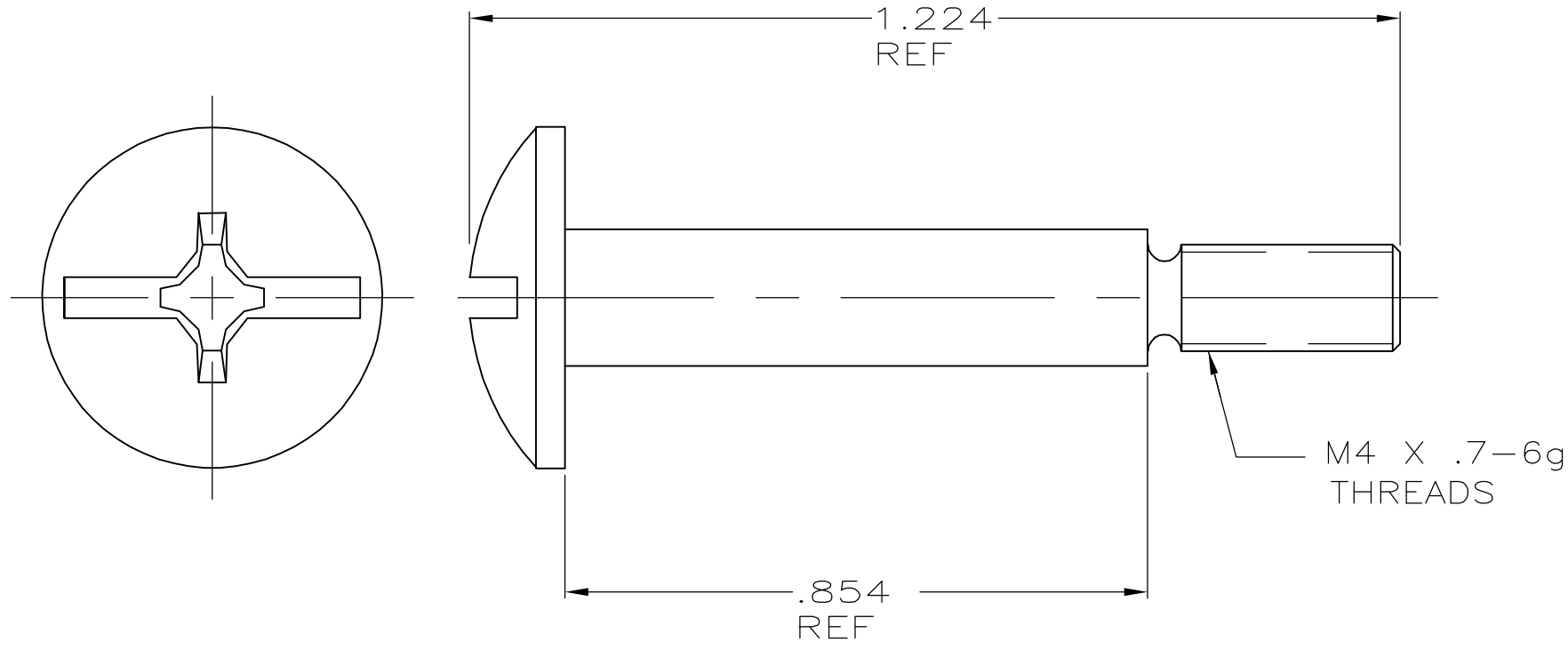
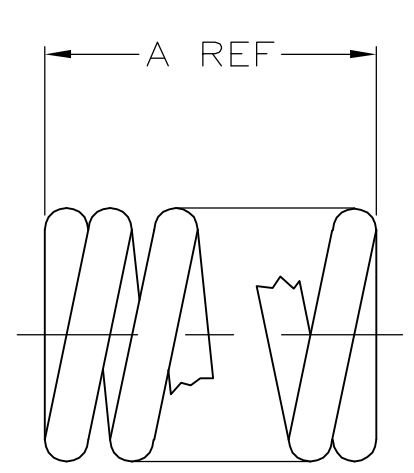


THIS DRAWING IS UNPUBLISHED. RELEASED FOR PUBLICATION
 © COPYRIGHT BY TYCO ELECTRONICS CORPORATION. ALL RIGHTS RESERVED.

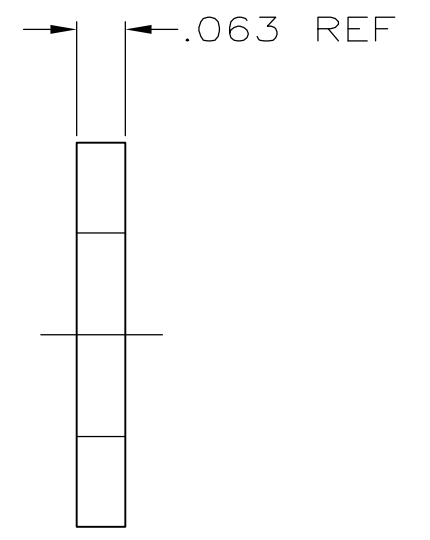
| LOC | DIST | REVISIONS | | | |
|-----|------|--------------------------|---------|-----|------|
| P | LTR | DESCRIPTION | DATE | DWN | APVD |
| FT | 0 | | | | |
| | F1 | REVISED PER ECO-06-15012 | 6/22/06 | SS | GS |



SHOULDER SCREW



COMPRESSION SPRING



FLAT WASHER

1. A KIT CONSISTS OF 2 EACH OF EACH PART SHOWN.
- 2 BULK PACKAGED. KITS TO BE ORDERED IN MULTIPLES OF 100.
3. -1 = 50 POSITION
-2 & -3 = 25 POSITION

| | | | | |
|----------|------|----------|----------|---|
| OBSOLETE | .375 | AS SHOWN | 213283-3 | 2 |
| | .375 | AS SHOWN | 213283-2 | |
| OBSOLETE | .432 | AS SHOWN | 213283-1 | |

| A REF | DESCRIPTION | PART NUMBER |
|-------|-------------|-------------|
|-------|-------------|-------------|

| | | | | | | | | | | | | | | | | | |
|--|-----|-------------------------------|---|-----------|------------|---------------|-----|-------|-----|-------|-----|--------|-----|--------------|--|--|--|
| THIS DRAWING IS A CONTROLLED DOCUMENT. | | DWN T.BLACK 29 SEP 86 | Tyco Electronics Corporation Harrisburg, PA 17105-3608 | | | | | | | | | | | | | | |
| DIMENSIONS: INCHES | | CHK B.W.BLAIR 25 MAR 87 | | | | | | | | | | | | | | | |
| TOLERANCES UNLESS OTHERWISE SPECIFIED: | | APVD G.OVER 25 MAR 87 | NAME | | | | | | | | | | | | | | |
| <table border="0"> <tr><td>0 PLC</td><td>± -</td></tr> <tr><td>1 PLC</td><td>± -</td></tr> <tr><td>2 PLC</td><td>± -</td></tr> <tr><td>3 PLC</td><td>± -</td></tr> <tr><td>4 PLC</td><td>± -</td></tr> <tr><td>ANGLES</td><td>± -</td></tr> </table> | | 0 PLC | ± - | 1 PLC | ± - | 2 PLC | ± - | 3 PLC | ± - | 4 PLC | ± - | ANGLES | ± - | PRODUCT SPEC | HARDWARE KIT, HIGH DURABILITY DRAWER CONNECTOR | | |
| 0 PLC | ± - | | | | | | | | | | | | | | | | |
| 1 PLC | ± - | | | | | | | | | | | | | | | | |
| 2 PLC | ± - | | | | | | | | | | | | | | | | |
| 3 PLC | ± - | | | | | | | | | | | | | | | | |
| 4 PLC | ± - | | | | | | | | | | | | | | | | |
| ANGLES | ± - | | | | | | | | | | | | | | | | |
| MATERIAL | | APPLICATION SPEC | SIZE | CAGE CODE | DRAWING NO | RESTRICTED TO | | | | | | | | | | | |
| FINISH | | WEIGHT | A3 | 00779 | C-213283 | - | | | | | | | | | | | |
| CUSTOMER DRAWING | | | SCALE | SHEET | REV | | | | | | | | | | | | |
| | | | 4:1 | 1 OF 1 | F1 | | | | | | | | | | | | |

X-ON Electronics

Largest Supplier of Electrical and Electronic Components

Click to view similar products for [Headers & Wire Housings](#) category:

Click to view products by [TE Connectivity](#) manufacturer:

Other Similar products are found below :

[892-18-020-10-001101](#) [58102-G61-06LF](#) [582553-1](#) [0009485154](#) [009176003701906](#) [0050291907](#) [LY20-4P-DT1-P1E-BR](#) [02.125.8002.8](#)
[609-3404](#) [61062-3](#) [61082-181009](#) [622-3653LF](#) [63453-116](#) [636-1030](#) [636-1427](#) [636-3427](#) [636-4007](#) [641938-9](#) [641991-4](#) [644827-2](#) [65817-](#)
[010LF](#) [65817-015LF](#) [65863-015LF](#) [66207-023LF](#) [67095-007LF](#) [67601157](#) [68645-018](#) [68648-049](#) [70.362.1628.0](#) [70-4210](#) [70-4226B](#) [70-](#)
[4853B](#) [707-5020](#) [707-5028](#) [71.350.2428.0](#) [71918-208LF](#) [71961-016LF](#) [733-134](#) [733-162](#) [754199-000](#) [760-3052](#) [79531-3000](#) [FCN-](#)
[360C032-B](#) [FCN-367T-T012/H](#) [FCN-723D010/2](#) [80.063.4001.1](#) [800-90-001-10-001000](#) [800-90-010-10-002000](#) [801-43-002-10-013000](#)
[801-43-006-10-002000](#)