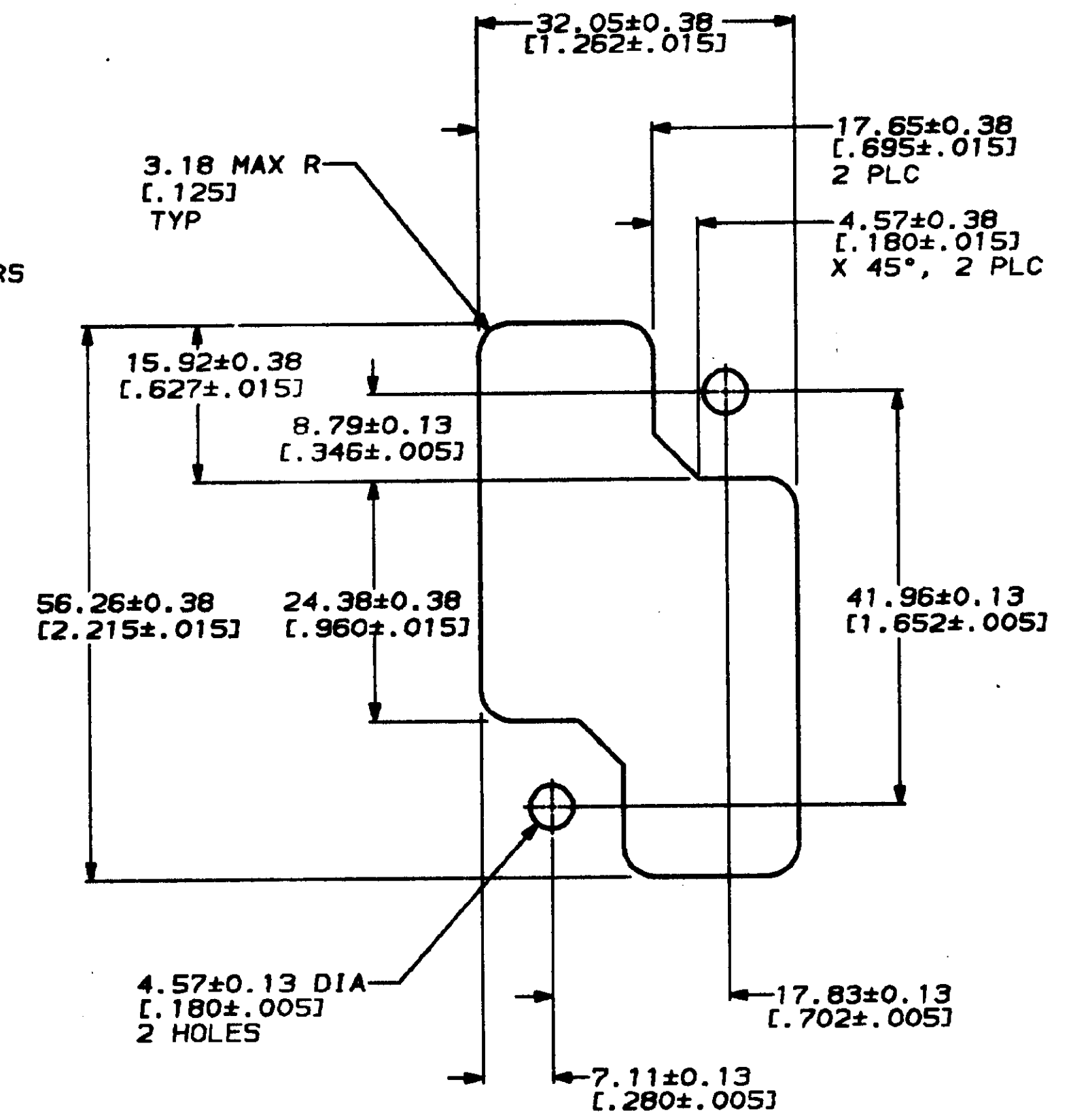
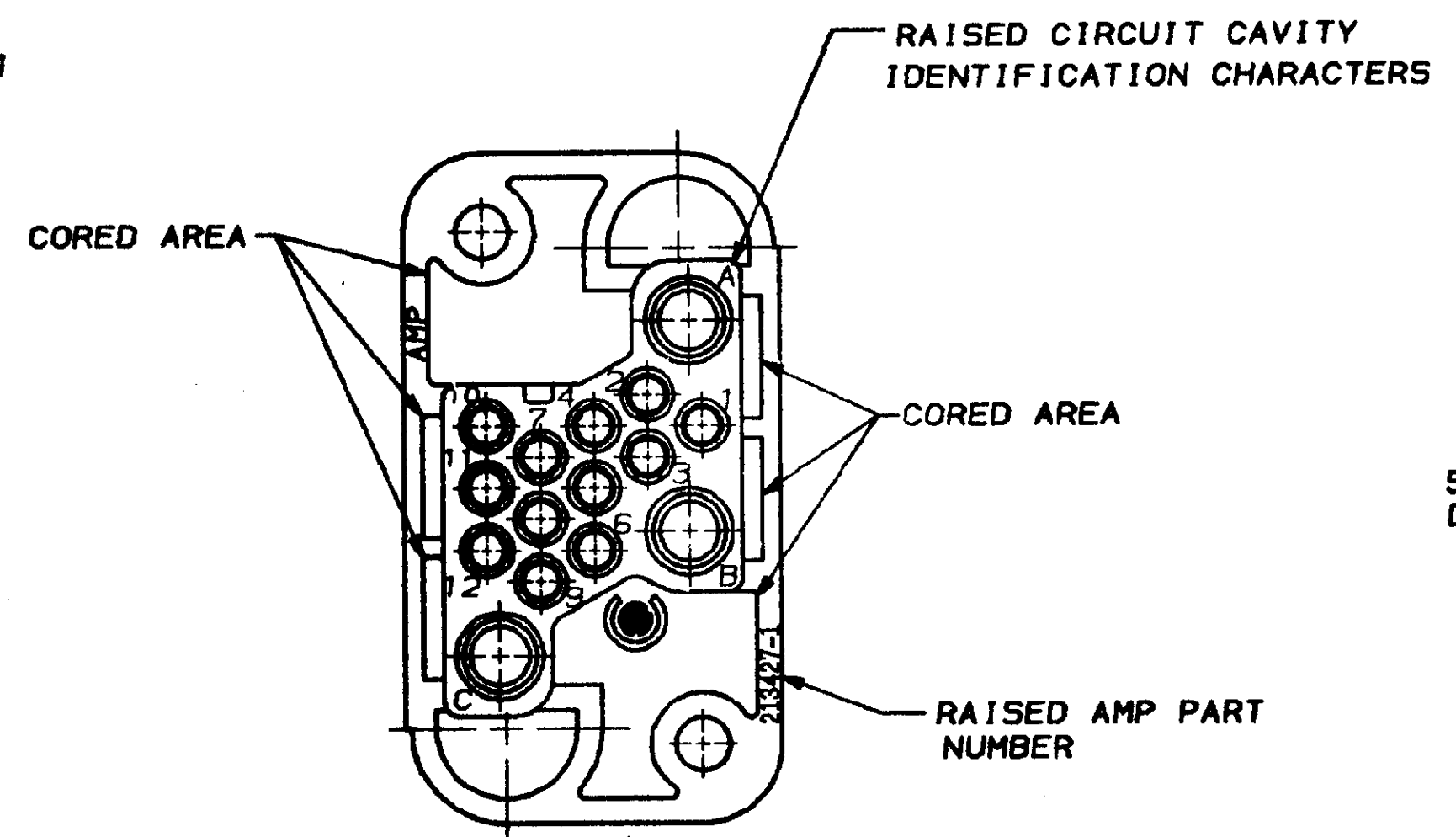
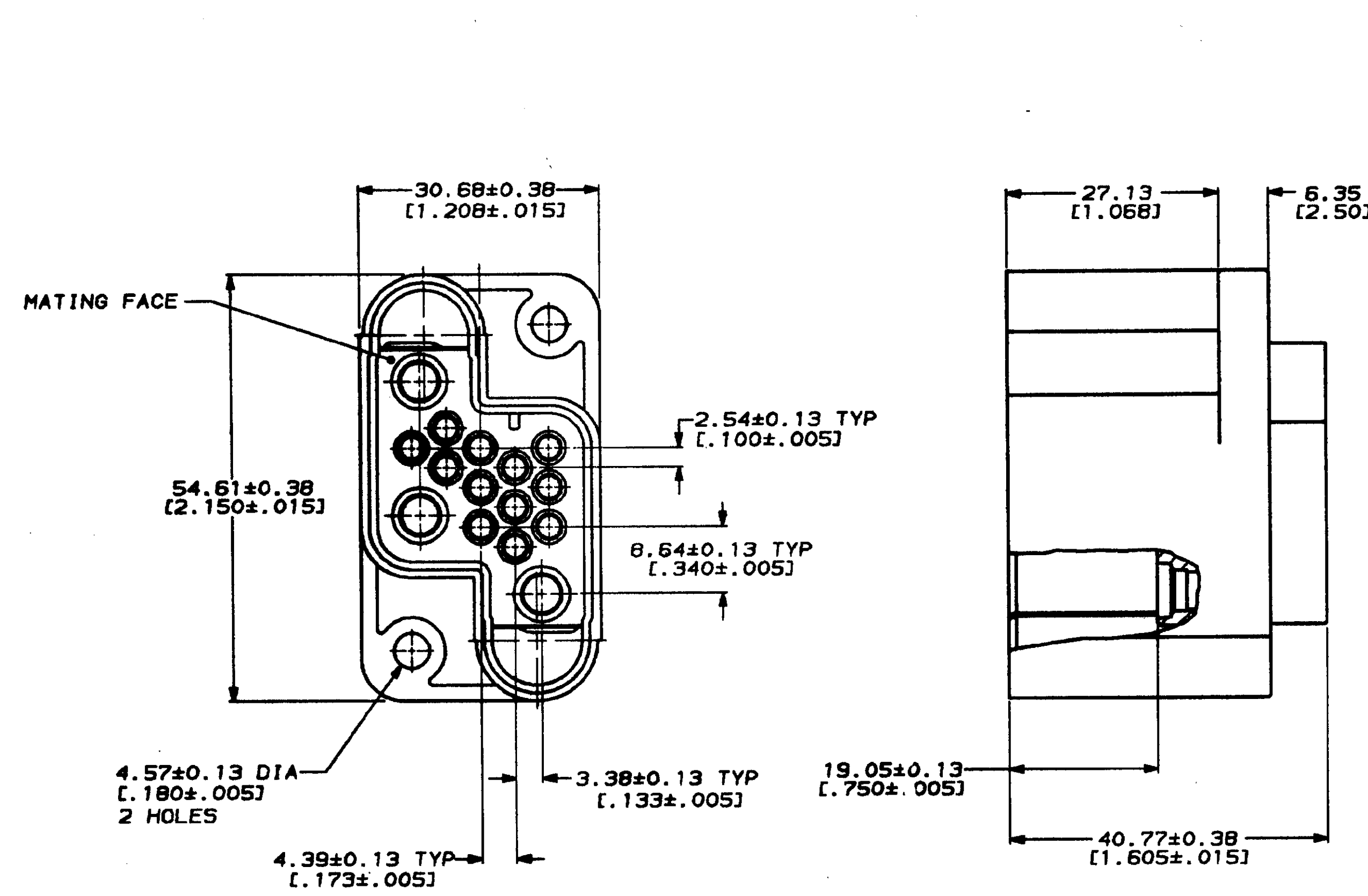


REVISONS		DATE	APPD
0	REL PER NPR 2092, W/S 87-5019-51	10-28-87	MG
A	REV PER ECN S4434	2-29-88	MG
B	REV PER ECN BD3182 & BD3273	8-22-88	AB
C	REV ECN BD4792 & BD5024	04/28/91	P.T.



RECOMMENDED PANEL CUTOUT

1. THIS RECEPTACLE HOUSING MATES WITH PLUG HOUSING PART NUMBER 213426-1.
2. THIS HOUSING ACCEPTS (3) POWER SIZE 8 OR COAXIAL SIZE 8 PIN CONTACTS AND (12) TYPE II SIZE 16, TYP III+ SIZE 16, TYPE VI SIZE 16, TYPE X SIZE 16, SUBMINIATURE COAXICON OR OPTIMATE FIBER OPTIC PIN CONTACTS.
3. DIMENSIONS IN BRACKETS ARE IN INCHES.

DO NOT SCALE PRINT. UNLESS SPECIFIED DIMENSIONS ARE IN MM. TOLERANCES ON: 2 PLC DEC ± 0.25(.010) 3 PLC DEC ± .		PART NO 213427-1	
DR D ERDMAN 10-28-88	AMP INCORPORATED		10-28-88
CHK LARRY G LAWVER	NAME HOUSING, RECEPTACLE, DRAWER CONNECTOR, 15 POSITION, METRIMATE		10-29-88
APPD MICHAEL D GALLOWAY	PRODUCT SPEC		10-29-88
MATERIAL POLYESTER, GLASS FIBER REINFORCED, FLAME RETARDED, BLACK	APPLICATION SPEC	SIZE D	FSCH NO 00779
FINISH	WEIGHT	SCALE 2:1	DRAWING NO 213427
		SHEET 1 OF 1	



CUSTOMER DRAWING

X-ON Electronics

Largest Supplier of Electrical and Electronic Components

Click to view similar products for [Headers & Wire Housings](#) category:

Click to view products by [TE Connectivity](#) manufacturer:

Other Similar products are found below :

[892-18-020-10-001101](#) [58102-G61-06LF](#) [582553-1](#) [0009485154](#) [009176003701906](#) [0050291907](#) [LY20-4P-DT1-P1E-BR](#) [02.125.8002.8](#)
[609-3404](#) [61062-3](#) [61082-181009](#) [622-3653LF](#) [63453-116](#) [636-1030](#) [636-1427](#) [636-3427](#) [636-4007](#) [641938-9](#) [641991-4](#) [644827-2](#) [65817-010LF](#) [65817-015LF](#) [65863-015LF](#) [66207-023LF](#) [67095-007LF](#) [67601157](#) [68645-018](#) [68648-049](#) [70.362.1628.0](#) [70-4210](#) [70-4226B](#) [70-4853B](#) [707-5020](#) [707-5028](#) [71.350.2428.0](#) [71918-208LF](#) [71961-016LF](#) [733-134](#) [733-162](#) [754199-000](#) [760-3052](#) [787-8014-00](#) [79531-3000](#)
[FCN-360C032-B](#) [FCN-367T-T012/H](#) [FCN-723D010/2](#) [80.063.4001.1](#) [800-90-001-10-001000](#) [800-90-010-10-002000](#) [801-43-002-10-013000](#)