

4

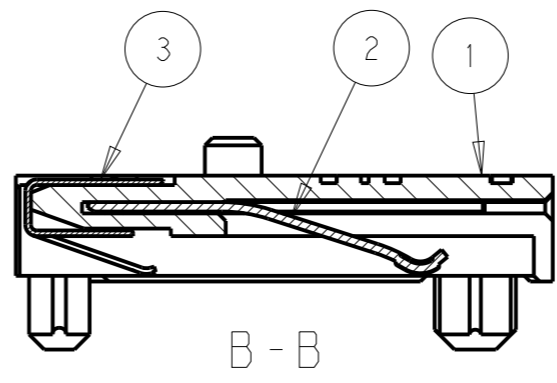
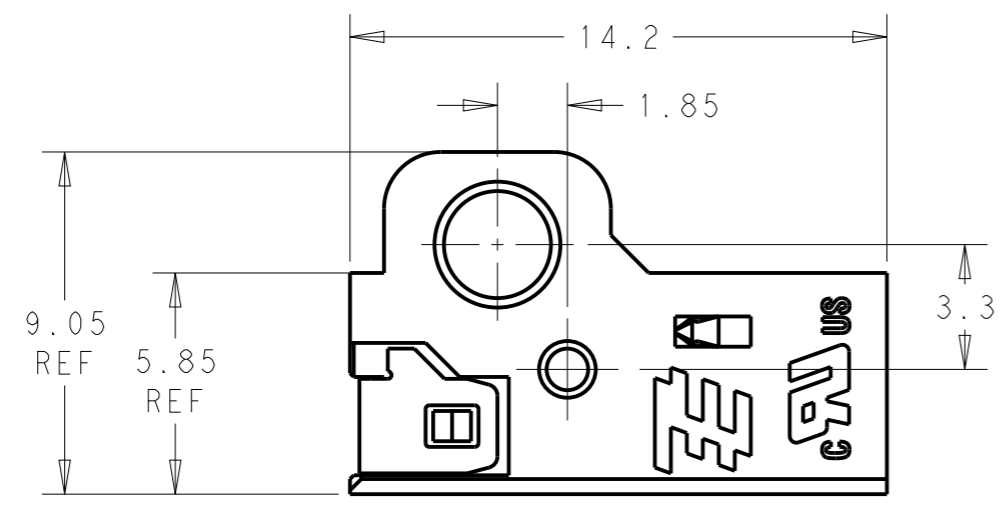
3

2

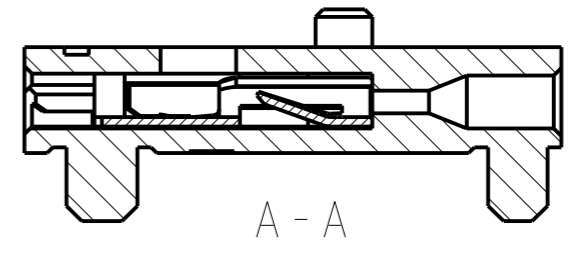
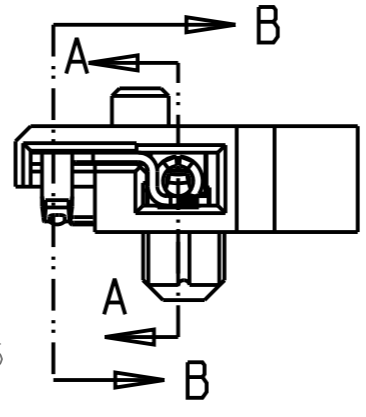
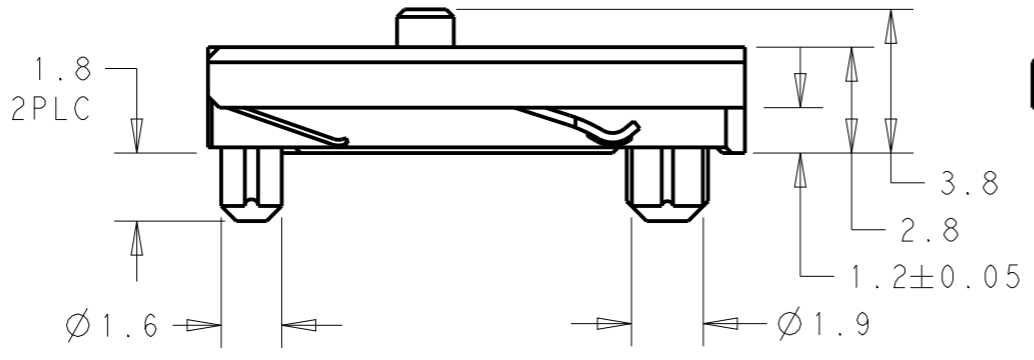
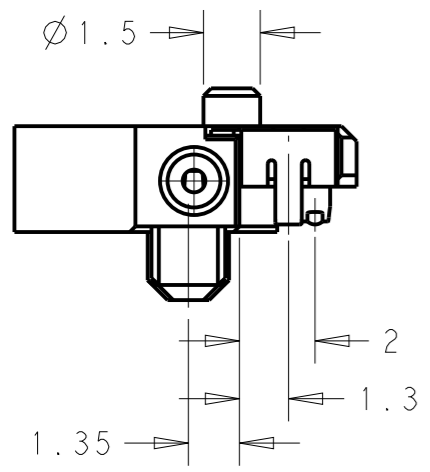
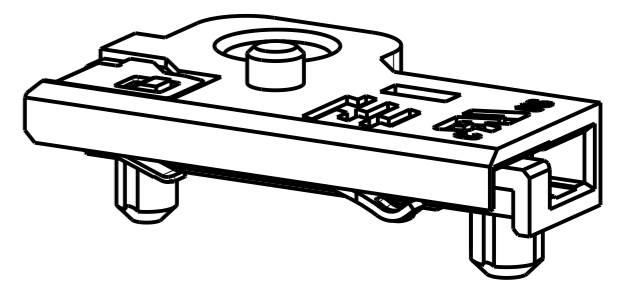
1

THIS DRAWING IS UNPUBLISHED. RELEASED FOR PUBLICATION 20
 © COPYRIGHT 20 BY - ALL RIGHTS RESERVED.

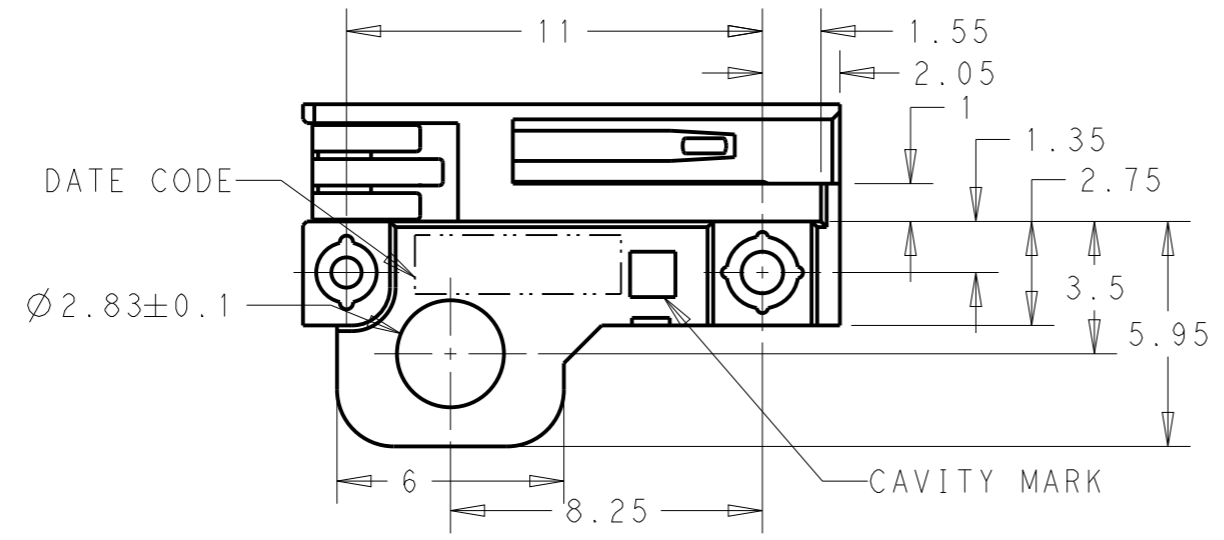
LOC	DIST	REVISIONS			
P	LTR	DESCRIPTION	DATE	DWN	APVD
J	-	C	REVISD PER ECO-13-011400	15JUL2013	KH PO
		D	REVISD(ECR-14-000923)	22JAN2014	T.N N.Y



2134318-1:AS SHOWN



← WIRE INSERTION DIRECTION



STAINLESS STEEL	SPRING PLATE	③
COPPER ALLOY LED MODULE CONTACT AREA : GOLD PLATED ALL OVER UNDER NICKEL PLATED	CONTACT	②
LCP	HOUSING	①
MATERIAL & FINISH	NAME	ITEM

- 1. APPLICABLE WIRES : AWG24 SOLID (Sn COATING)
INSULATION DIAMETER : Ø1.35MAX
- 2. APPLICABLE SCREW : M2.6
- 3. SCREW TIGHTENING TORQUE : 18cN·m MAX
- 4. ABOUT HOUSING VISUAL STANDARD : TO CONFORM TYCO ELECTRONICS CORPORATION INTERNAL RULE.

THIS DRAWING IS A CONTROLLED DOCUMENT.

DIMENSIONS:	TOLERANCES UNLESS OTHERWISE SPECIFIED:
mm	±0.15
	Ø PLC ±
	1 PLC ±0.5
	2 PLC ±0.13
	3 PLC ±0.013
	4 PLC ±0.000
	ANGLES ±2
MATERIAL	FINISH
SEE TABLE	-

DWN	11JUL2013	STE TE Connectivity
CHK	KIRAN HOLAL	
CHK	OTT PETER	
APVD	OTT PETER	
NAME	LUMAWISE LED HOLDER TYPE LUMIPACK N1	
PRODUCT SPEC	SIZE	RESTRICTED TO
APPLICATION SPEC	A300779	-
WEIGHT	CAGE CODE	SCALE
-	G-2134318	5:1
Customer Drawing	DRAWING NO	SHEET
		1 OF 2
		REV
		D

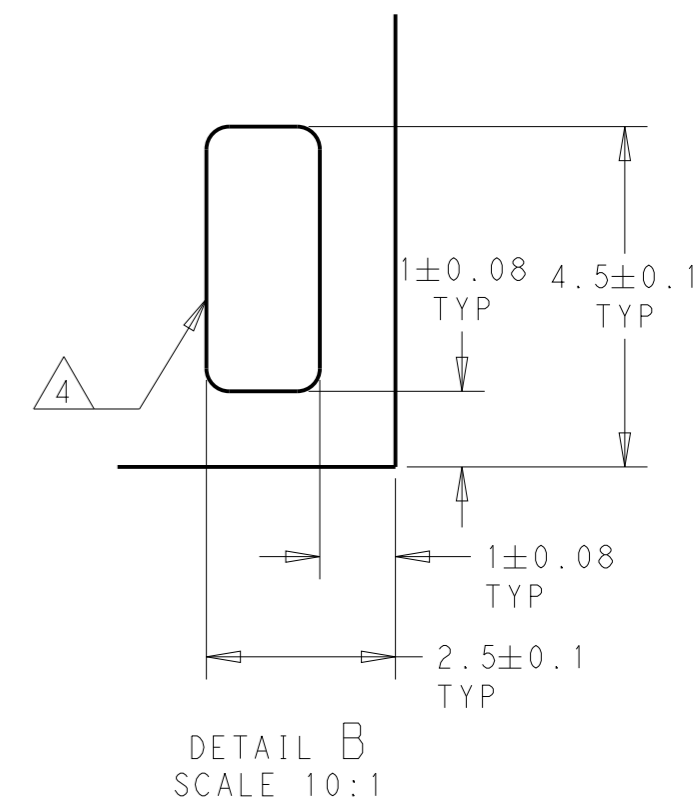
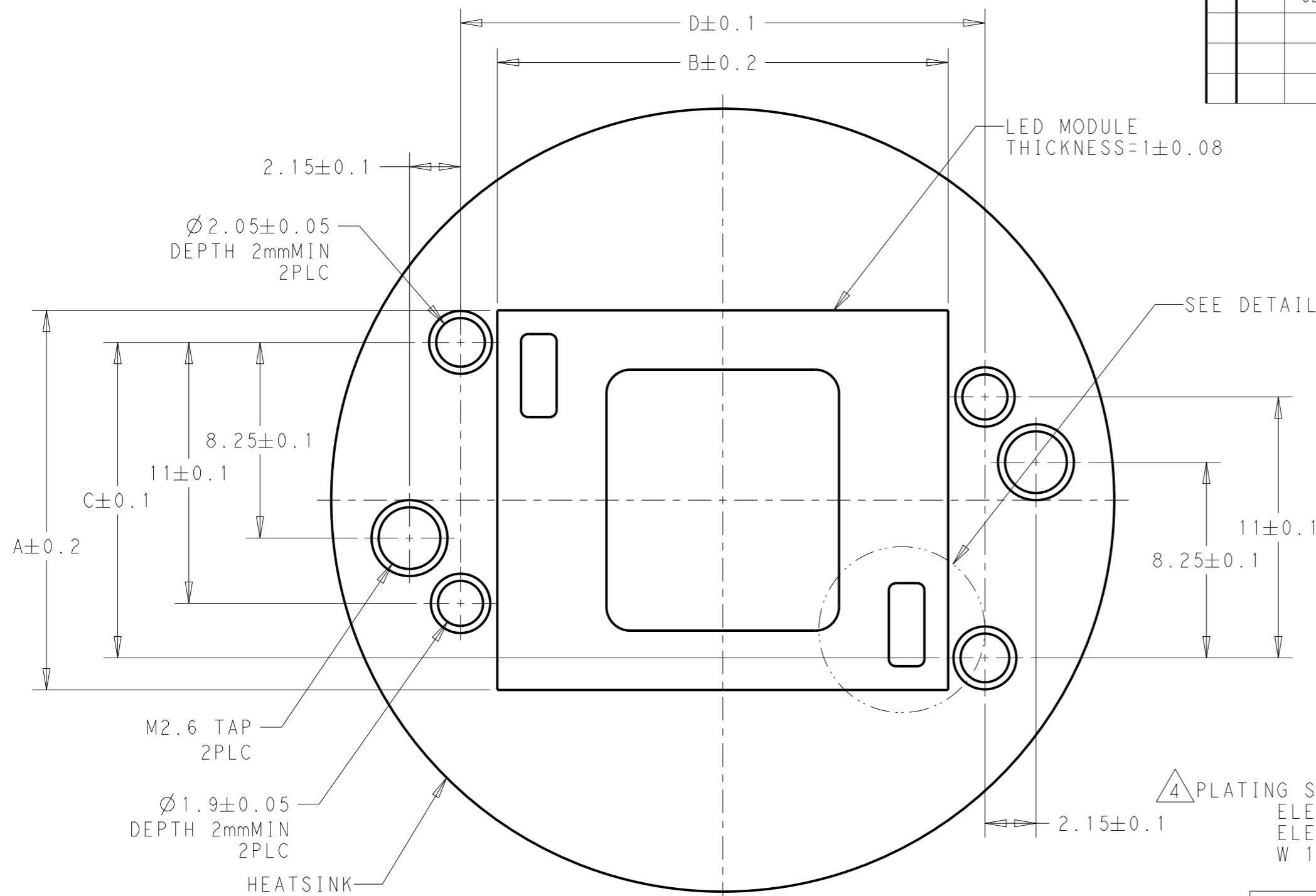
THIS DRAWING IS UNPUBLISHED.

RELEASED FOR PUBLICATION

20

© COPYRIGHT 20 BY - ALL RIGHTS RESERVED.

LOC	DIST	REVISIONS			
P	LTR	DESCRIPTION	DATE	DWN	APVD
J	-	SEE SHEET 1	-	-	-



4 PLATING SPEC
 ELECTROLESS Au PLATING 0.5µmMIN
 ELECTROLESS Ni PLATING 5µm (UNDER PLATING)
 W 10µm (UNDER PLATING)

LED MODULE & HEATSINK RECOMMEND DIMENSION

22.1	13.3	19	16	1619 TYPE
18.1	9.3	15	12	1215 TYPE
D	C	B	A	LED MODULE TYPE

THIS DRAWING IS A CONTROLLED DOCUMENT.		DWN	STE TE Connectivity	
DIMENSIONS: mm		CHK		
TOLERANCES UNLESS OTHERWISE SPECIFIED: ±0.15		APVD	NAME LUMAWISE LED HOLDER TYPE LUMIPACK N1	
0 PLC ±		PRODUCT SPEC	SIZE CAGE CODE DRAWING NO RESTRICTED TO	
1 PLC ±0.5		APPLICATION SPEC	A300779 C=2134318	
2 PLC ±0.13		WEIGHT	SCALE 5:1 SHEET 2 OF 2 REV D	
3 PLC ±0.013		Customer Drawing		
4 PLC ±0.000				
ANGLES ±2				
FINISH -				
MATERIAL SEE TABLE				

X-ON Electronics

Largest Supplier of Electrical and Electronic Components

Click to view similar products for [LED Lighting Mounting Accessories](#) category:

Click to view products by [TE Connectivity](#) manufacturer:

Other Similar products are found below :

[C16142_HEKLA-SOCKET-K](#) [3SU1401-1BG20-1AA0](#) [3SU1900-0BC31-0NB0](#) [ES16-RT](#) [1SFA616921R2042](#) [1SFA616921R2131](#)
[1SFA616921R2133](#) [1SFA616921R2143](#) [1SFA611621R1093](#) [B8910020](#) [D3980022](#) [E3990022](#) [E3990040](#) [CABI12 E BK 1M SET PRM](#)
[FLAT8 H/U BK 1M SET PRM](#) [BEGTIN12 J/S BK 1M SET PRM](#) [1-2213678-6](#) [C16791_CLAMP-Z45-A](#) [F17250_SOLDER-CLIP-A](#) [CM22-](#)
[4-20MA](#) [CM22-R10K-MT](#) [CM22-R1K](#) [CM22-R50K](#) [CM22-R5K-MT](#) [CM22-SLR](#) [10465](#) [M22-A](#) [M22-CK11](#) [M22-CK20](#) [M22G-XGPV](#)
[M22-K01](#) [M22-LCH-W](#) [M22-LC-R](#) [M22-LED230-R](#) [M22-LED230-W](#) [M22-LEDC230-G](#) [M22-LEDC-G](#) [M22-LEDC-W](#) [M22-LED-G](#)
[M22-LED-W](#) [M22-L-G](#) [M22-LH-G](#) [M22-LH-R](#) [M22-LH-W](#) [M22-L-R](#) [M22-L-W](#) [M22-L-X](#) [M22-R10K](#) [M22-R1K](#) [M22-R470K](#)