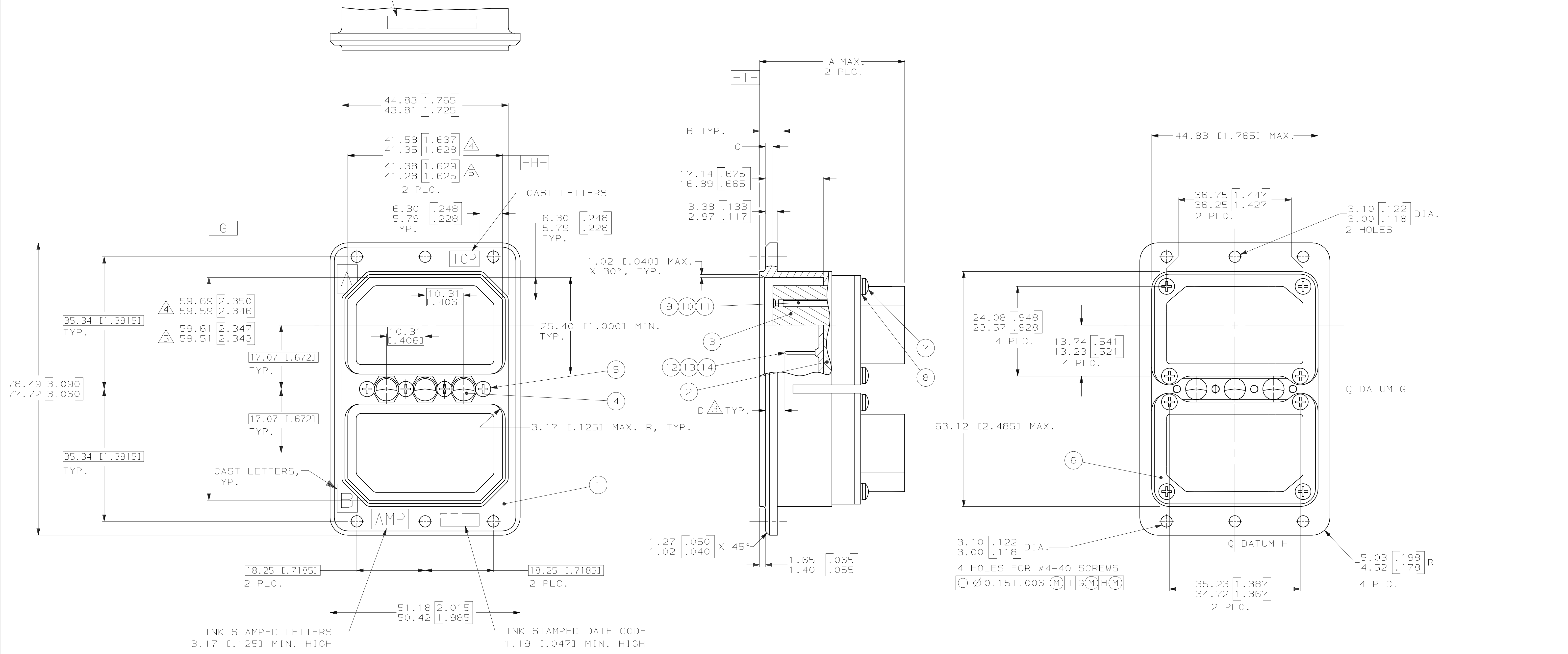
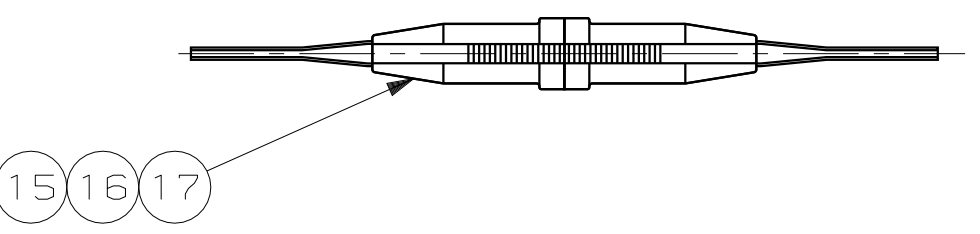


LOC		DIST		P		ZONE		LTR		REVISIONS		DATE	APPD	
DF	AO									C	REV PER 0630-0203-03	CT	1-04	LO

BOTH DESCRIPTIVE & NUMERICAL (ORDERING)
 PART NO. INKSTAMPED 1.19 [.047] MIN. HIGH



- CONTACTS SHOWN LOADED FOR ILLUSTRATION ONLY; ARE INCLUDED IN A CONTAINER WITHIN CONNECTOR PACKAGE FOR SHIPMENT.
- FOR INSERT ARRANGEMENTS AND DIMENSIONS, SEE TABLES ON SHEET 2 OF 2.
- FOR CONTACT SIZE 22, D DIMENSION REPRESENTS SOCKET CONTACTS.
- DIMENSION TAKEN AT 7.67/7.57 [.302/.298] FROM TOP EDGE.
- DIMENSION TAKEN AT 1.32/1.22 [.052/.048] FROM BOTTOM OF CAVITY.
- DIMENSIONS IN BRACKETS ARE IN INCHES.



METRIC

UNLESS OTHERWISE SPECIFIED DIMENSIONS ARE IN MM TOLERANCES ON :		DR 3-11-87 MARK HOFFECKER		PART NO	
2 PL DEC ±	—	CHK 3-11-87 LARRY LAWNER	AMP AMP INCORPORATED Harrisburg, Pa. 17105		
3 PL DEC ±	—	APPD 3-11-87 EDWARD HOWARD			
ANGLES ±	0° 30'	APPD 3-11-87 E. SMITH	NAME RECEPTACLE CONN. KIT, ARINC 404, DUAL INSERT, RM2R SERIES		
MATERIAL	SEE TABLE SHT. 2 OF 2	PRODUCT SPEC	SIZE	FSCM NO	DRAWING NO
FINISH	SEE TABLE SHT. 2 OF 2	APPLICATION SPEC	D	00779	213438
WEIGHT			SCALE	2:1	SHEET 1 OF 2

32C2P	106S	106P	106S	67P	67P	67P	67P	33C4P	33C4S	33C4S	32C2P	26P	26S	INSERT A	
67P	106S	106P	D8P	67P	57P	40C1P	32C2P	26P	33C4P	33C4S	33C4S	40C1P	26P	C8S	INSERT B
01 01	00	00 01	00 01	01 01	00	01 01	00 01	00	23 01	00 01	00 01	00 01	00 01	00 01	CUSTOMER ORDERING CODE, SEE DRAWING 205102
01 01	00	00 01	00 01	01 01	00	01 01	00 01	00	23 01	00 01	00 01	00 01	00 01	00 01	KEYING CODE, SEE DRAWING 204014
01 01	00	00 01	00 01	01 01	00	01 01	00 01	00	23 01	00 01	00 01	00 01	00 01	00 01	MODIFICATION CODE, SEE DRAWING 205100

B DIM.				C DIM.				D DIM. Δ			
CONTACT SIZE				CONTACT SIZE				CONTACT SIZE			
22	20	16	12	22	20	16	12	22	20	16	12
4.32	5.21	4.44	2.06	2.06	2.06	6.35	8.79	4.19	4.19	4.19	4.19
2.92	3.71	3.48	1.22	1.22	1.22	5.21	6.12	2.64	2.64	2.64	2.64
.170	.205	.175	.081	.081	.081	.250	.346	.165	.165	.165	.165
.115	.146	.137	.048	.048	.048	.205	.241	.104	.104	.104	.104

A DIM.	INSERT ARRANGEMENT													
	C2	C3	8	C8	D8	26	32C2	33C4	40	40C1	45	57	67	106
				38.74	33.35	33.35	38.74	38.74		38.74		33.35	33.35	27.33
				[1.525]	[1.313]	[1.313]	[1.525]	[1.525]		[1.525]		[1.313]	[1.313]	[1.076]

4	—	—	—	4	—	4	—	—	—	—	—	—	—	—	—	CLINCH NUT - STEEL; PL CADMIUM	20
—	—	—	—	—	—	—	—	—	—	—	—	—	—	—	—	WASHER - STAINLESS STEEL; PASSIVATED	19
—	—	—	—	—	—	—	—	—	—	—	—	—	—	—	—	ALIGNMENT BUSHING - STAINLESS STEEL; PASSIVATED	18
—	—	—	—	1	1	1	1	1	1	1	1	1	1	1	—	91066-4 INSERT/EXTRACT TOOL, SIZE 20 - ACETAL/BE CU; PL NICKEL	17
—	—	—	—	1	1	1	1	1	1	1	1	1	1	1	—	91066-3 INSERT/EXTRACT TOOL, SIZE 16 - ACETAL/BE CU; PL NICKEL	16
—	1	—	1	—	—	—	—	—	—	—	—	—	—	—	—	91066-1 INSERT/EXTRACT TOOL, SIZE 22 - ACETAL/BE CU; PL NICKEL	15
94	—	—	—	128	121	103	94	64	50	—	—	—	—	—	—	204938-3 PIN CONT, SIZE 20 - LEADED COPPER; PL GOLD OVER NICKEL	14
3	—	—	4	6	3	3	3	29	8	—	—	—	—	—	—	204978-3 PIN CONT, SIZE 16 - LEADED COPPER; PL GOLD OVER NICKEL	13
—	—	—	4	—	—	—	—	—	—	—	—	—	—	—	—	205763-3 PIN CONT, SIZE 12 - LEADED COPPER; PL GOLD OVER NICKEL	12
—	212	—	106	—	—	—	—	—	—	—	—	—	—	—	—	205103-3 SKT CONT ASSY, SIZE 22 - LEADED COPPER; PL GOLD OVER NICKEL	11
—	—	—	—	—	—	—	—	—	—	—	—	—	—	—	—	205116-1 SKT CONT ASSY, SIZE 20 - LEADED COPPER; PL GOLD OVER NICKEL	10
—	—	—	—	—	—	—	—	—	—	—	—	—	—	—	—	205117-1 SKT CONT ASSY, SIZE 16 - LEADED COPPER; PL GOLD OVER NICKEL	9
8	8	8	8	8	8	8	8	8	8	8	8	8	8	8	—	LOCKWASHER - STAINLESS STEEL; PASSIVATED	8
8	8	8	8	8	8	8	8	8	8	8	8	8	8	8	—	MACHINE SCREW - STAINLESS STEEL; PASSIVATED	7
2	2	2	2	2	2	2	2	2	2	2	2	2	2	2	—	RETAINER PLATE - ALUMINUM; ANODIZED BLUE	6
4	4	4	4	4	4	4	4	4	4	4	4	4	4	4	—	FLATHEAD SCREW - STAINLESS STEEL; PASSIVATED	5
3	3	3	3	3	3	3	3	3	3	3	3	3	3	3	—	KEYING INSERT - ALUMINUM; PL CADMIUM, YELLOW CHROMATE	4
—	2	—	1	—	—	—	—	—	—	—	—	2	2	—	—	SOCKET INSERT ASSEMBLY - EPOXY; BLACK	3
2	—	2	1	2	2	2	2	2	2	—	—	2	2	—	—	PIN INSERT ASSEMBLY - EPOXY; BLACK	2
1	1	1	1	1	1	1	1	1	1	1	1	1	1	1	—	SHELL - ALUMINUM; PL CADMIUM, YELLOW CHROMATE	1



UNLESS OTHERWISE SPECIFIED DIMENSIONS ARE IN MM TOLERANCES ON :	DR 3-11-87 MARK HOFFECKER	AMP INCORPORATED Harrisburg, Pa. 17105
2 PL DEC ± —	CHK 3-11-87 LARRY LAWNER	
3 PL DEC ± —	APPD 3-11-87 EDWARD HOWARD	
ANGLES ± —	APPD 3-11-87 E.SMITH	NAME RECEPTACLE CONN. KIT, ARINC 404, DUAL INSERT, RM2R SERIES
MATERIAL SEE TABLE	PRODUCT SPEC	SIZE D
FINISH SEE TABLE	APPLICATION SPEC	FSCM NO 00779
	WEIGHT	DRAWING NO 213438
		SCALE
		SHEET 2 of 2

X-ON Electronics

Largest Supplier of Electrical and Electronic Components

Click to view similar products for [Rack & Panel Connectors](#) category:

Click to view products by [TE Connectivity](#) manufacturer:

Other Similar products are found below :

[00170420102](#) [00171420202](#) [00171440002](#) [008026165000265](#) [02-014-013-5200-000](#) [613467-000](#) [CTJ112E01E-513](#) [CTJ116E03A-513](#)
[M81714/63-22S L/C](#) [M81714/65-12-1](#) [66020-2](#) [CW8958-000](#) [699886-000](#) [D250-50632](#) [70.400.3240.0](#) [70.955.2453.3](#) [733753-000](#) [F22831-000](#) [780-522-DPX34RG8-02](#) [MMA25-0341D1](#) [8660-501](#) [87.060.0053.0](#) [900709N001](#) [QRP4-12P-C\(01\)](#) [QR/P6-6S-C\(01\)](#) [1218600-1](#) [D-659-0061](#) [DMC-MD 24 C-T](#) [1-445717-6](#) [1484398-2](#) [1484399-2](#) [1484469-2](#) [MR-34MG](#) [1604997-2](#) [1663130-1](#) [1663767-7](#) [1663767-8](#) [MTC100-BF1-P31CS015](#) [MTC100-KT2-0083](#) [MTC100-KT2-0123-003](#) [MTC100-YA1-005](#) [MTCB1X-105-XXX](#) [MTCQKT1R2PGCA](#) [MTCR-103-04S](#) [MTCX1X-100-100CS025](#) [1738331-1](#) [1757667-1](#) [1883433-1](#) [1996636-1](#) [201784-4](#)