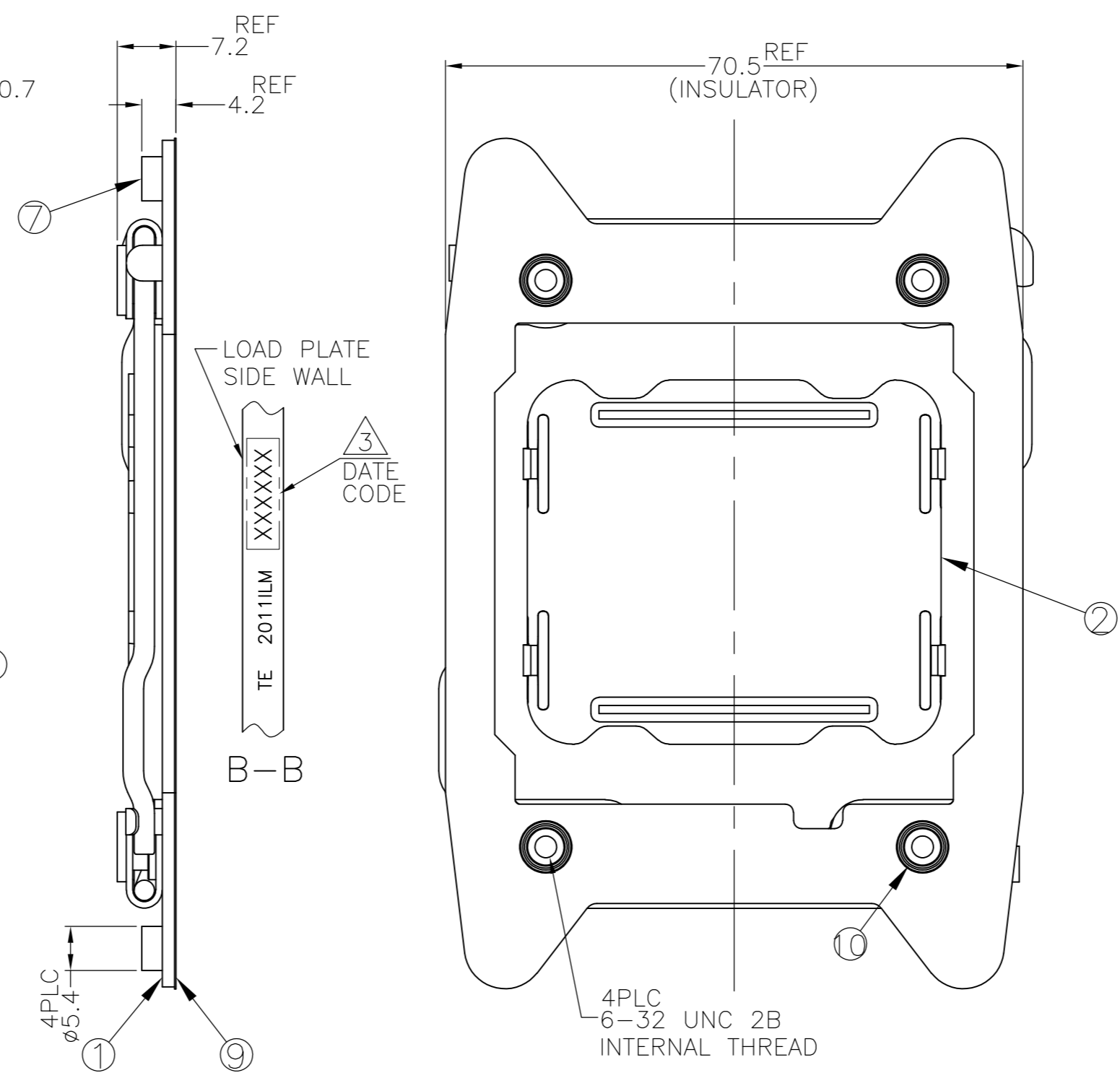
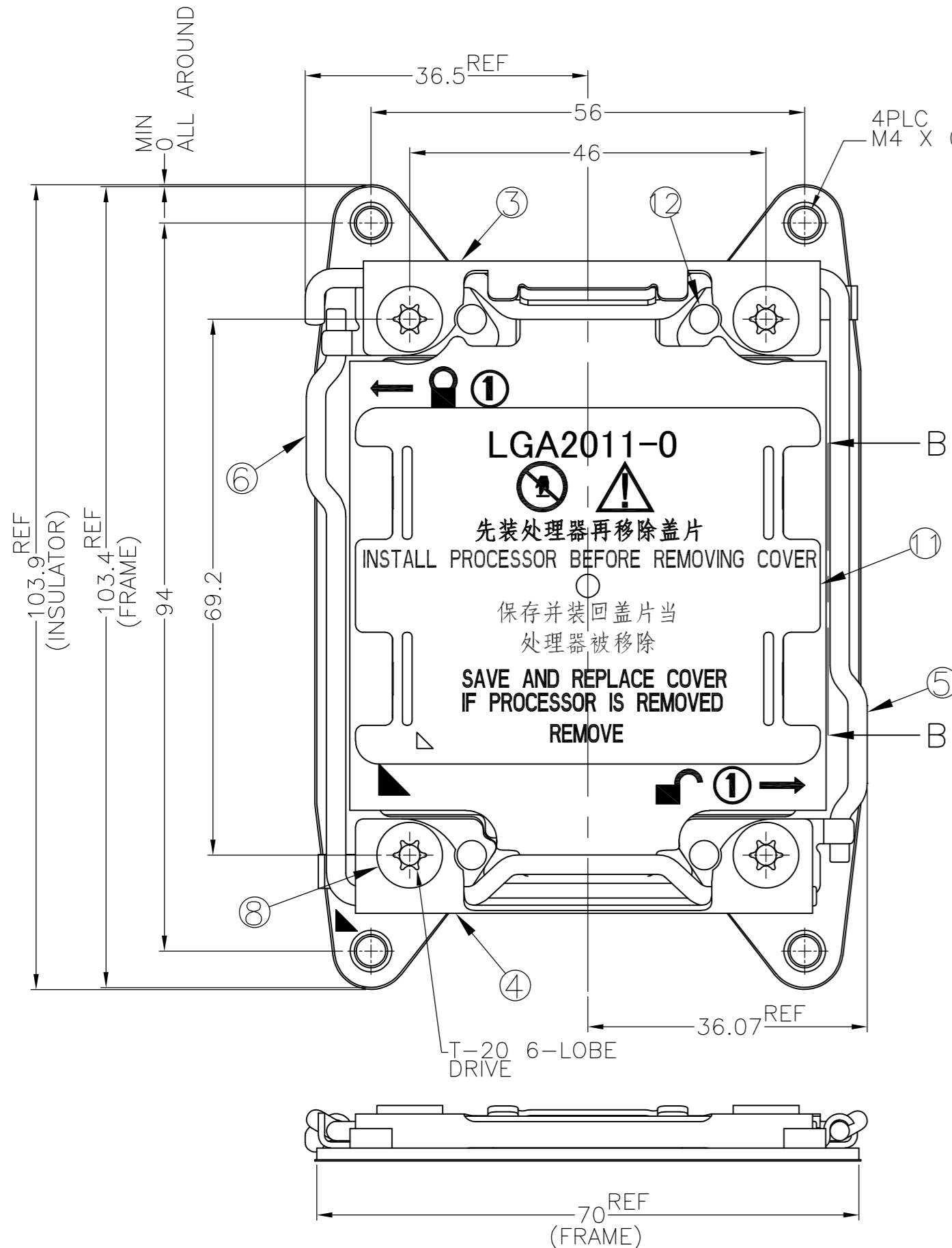


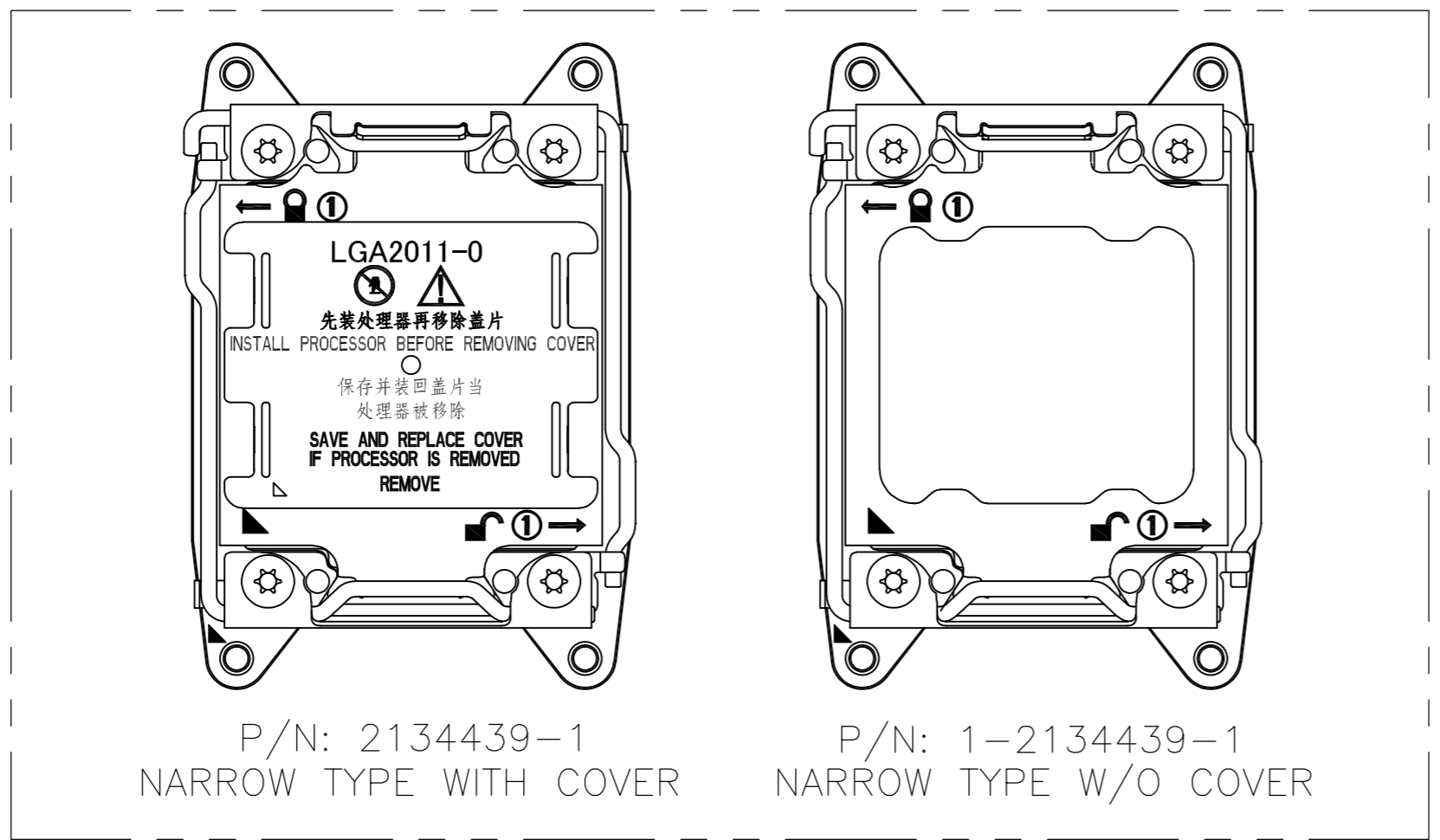
THIS DRAWING IS UNPUBLISHED. RELEASED FOR PUBLICATION APR , 2011.  
 © COPYRIGHT 2011 By Tyco Electronics Japan G.K. ALL RIGHTS RESERVED.

LOC	DIST	REVISONS				
		P	LTR	DATE	DWN	APVD
J	-	E	REVISED	28JUN'12	J.C	T.N



- MATERIAL
  - ① FRAME: STAINLESS STEEL
  - ② LOAD PLATE: STAINLESS STEEL
  - ③ HINGE CLEVIS: STAINLESS STEEL
  - ④ ACTIVE CLEVIS: STAINLESS STEEL
  - ⑤ HINGE LEVER: STAINLESS STEEL, 2.5 DIA
  - ⑥ ACTIVE LEVER: STAINLESS STEEL, 2.5 DIA
  - ⑦ HS STUD: STAINLESS STEEL
  - ⑧ CAPTIVE NUT: CARBON STEEL, FINISH: NI PLATING
  - ⑨ INSULATOR: POLYCARBONATE FILM PLUS ACRYLIC ADHESIVE LAYER
  - ⑩ CAPTIVE NUT COLLAR: CARBON STEEL, FINISH: NI PLATING
  - ⑪ DUST COVER: THERMO-PLASTIC, UL94V-0, BLACK
  - ⑫ RIVET: STAINLESS STEEL
2. APPLICABLE SOCKET P/N: 1554653 SERIES
- ③ INDICATED DATE CODE ON THE LOAD PLATE
- ④ DO NOT OPEN WITH FORCE FROM OPEN END

P/N: 2134439-1 AS SHOWN  
(NARROW TYPE WITH COVER)



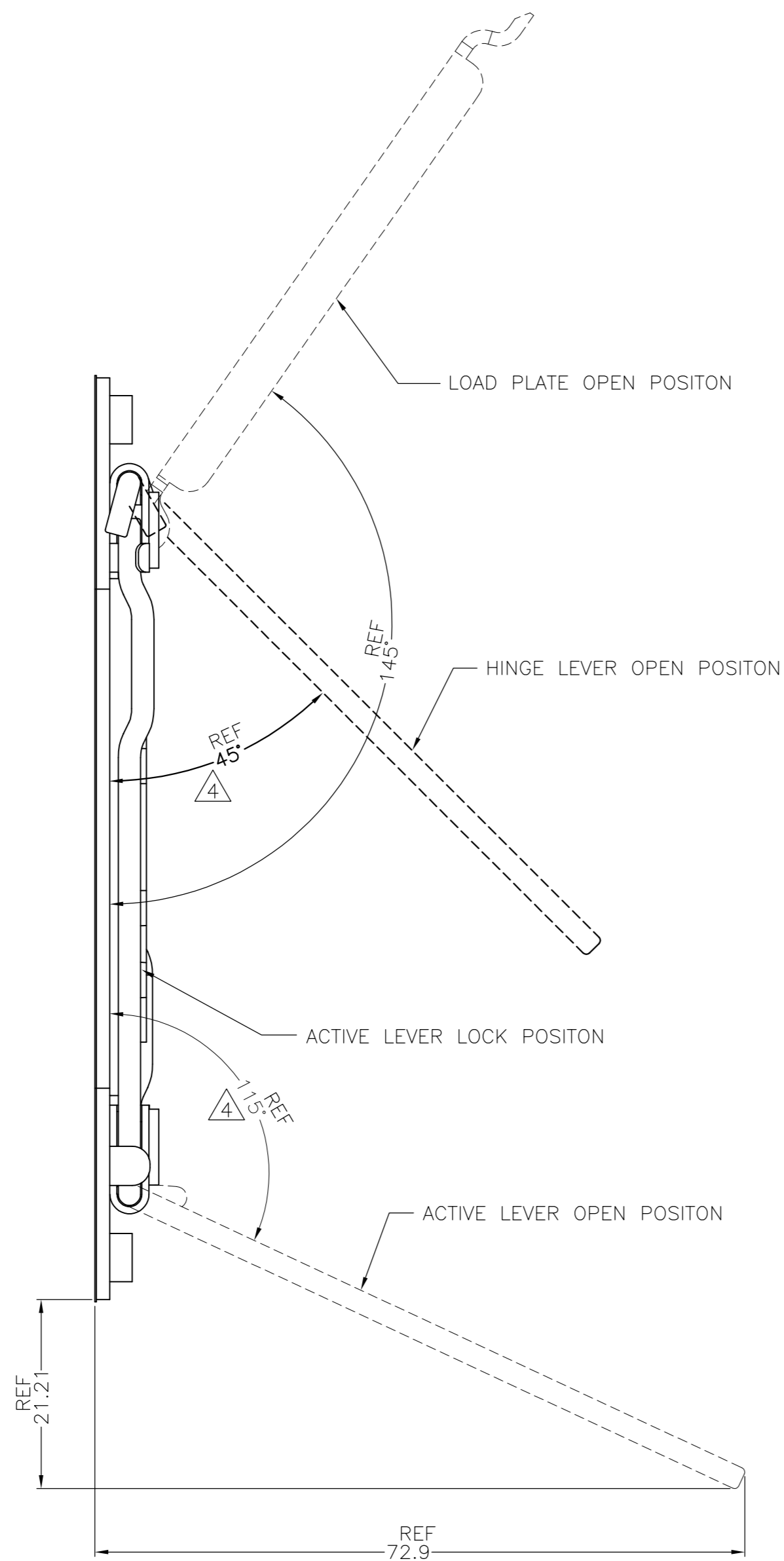
WEIGHT(g)	DESCRIPTION	PART NO.
82.9	WIDE TYPE WITH COVER AND LABEL, W/O HS STUD	2134439-4
84.4	WIDE TYPE WITH COVER AND LABEL	2134439-3
80.5	WIDE TYPE W/O COVER	1-2134439-2
84.0	WIDE TYPE WITH COVER	2134439-2
78.5	NARROW TYPE W/O COVER	1-2134439-1
82.0	NARROW TYPE WITH COVER	2134439-1

THIS DRAWING IS A CONTROLLED DOCUMENT.		DWN J.CHEN 16NOV2010	<b>TE</b> TE Connectivity	
DIMENSIONS: 单位: 毫米 mm		CHK H.TAGUCHI 16NOV2010		
TOLERANCES UNLESS OTHERWISE SPECIFIED: 一般公差		APVD T.NAKASHIMA 16NOV2010	NAME 名称	
6-PLC ± ± ±0.3		PRODUCT SPEC 108-78750	ILM ASSY	
1-PLC ± ± ±3'		APPLICATION SPEC 取付適用規格	LGA2011	
2-PLC ± ± ±3'		WEIGHT SEE TABLE	SIZE A2	CAGE CODE 00779
3-PLC ± ± ±3'		FINISH 仕上	DRAWING NO 番号 C=2134439	RESTRICTED TO -
4-PLC ± ± ±3'		CUSTOMER DRAWING	SCALE 尺度 NTS	SHEET 1 of 3
ANGLES ± ± ±			REV E	

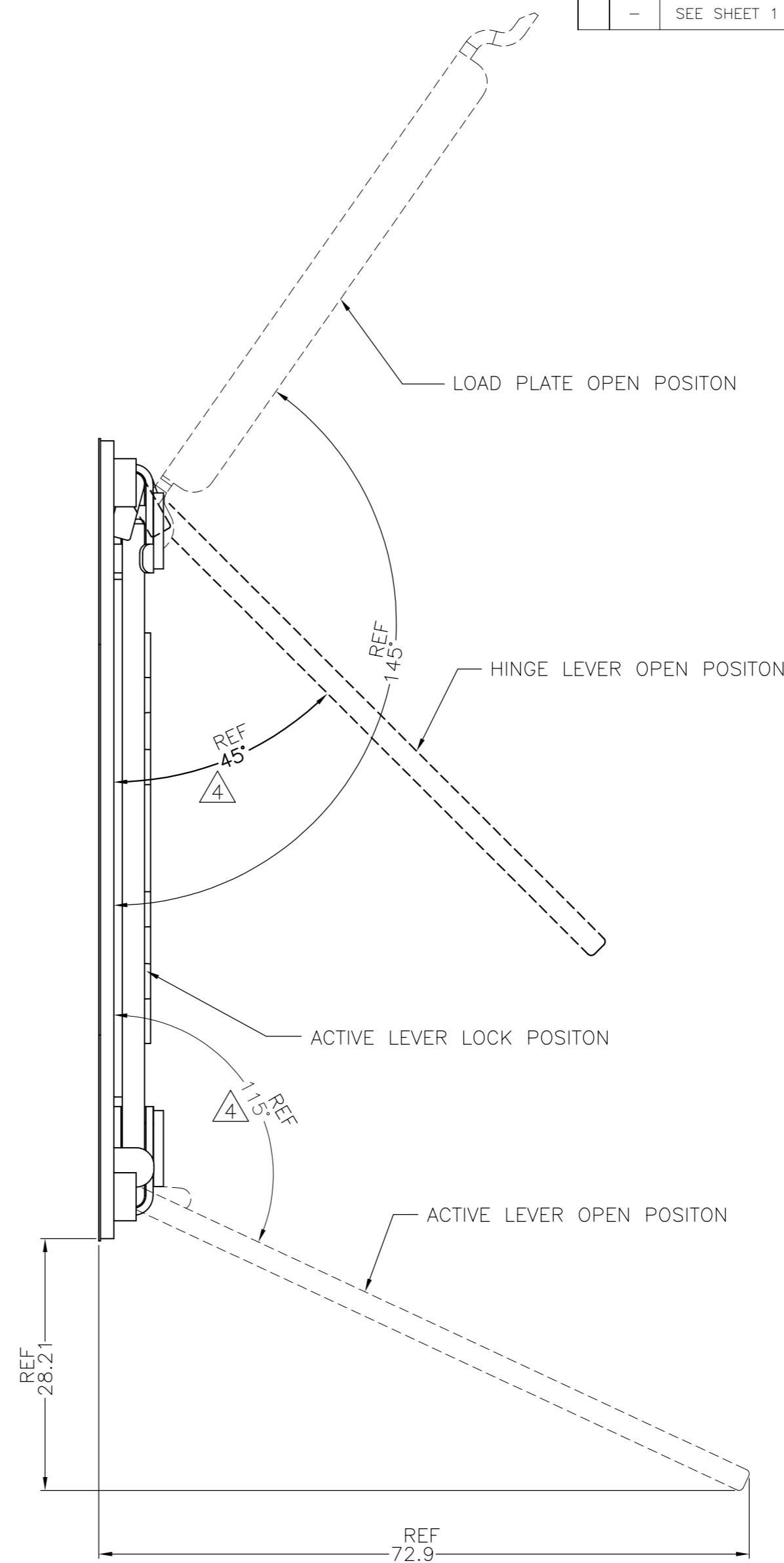


THIS DRAWING IS UNPUBLISHED. RELEASED FOR PUBLICATION APR , 2011.  
 © COPYRIGHT 2011 By Tyco Electronics Japan G.K. ALL RIGHTS RESERVED.

LOC	DIST	REVISIONS					
J	-	P	LTR	DESCRIPTION	DATE	DWN	APVD
		-	-	SEE SHEET 1	-	-	-



2134439-1, 1-2134439-1 AS SHOWN



2134439-2, -3, -4 1-2134439-2 AS SHOWN

THIS DRAWING IS A CONTROLLED DOCUMENT.		DWN	-	<b>STE</b> TE Connectivity	
DIMENSIONS: 単位: 寸 mm		CHK	-		
TOLERANCES UNLESS OTHERWISE SPECIFIED: 一般公差		APVD	-	NAME 名称	
0-PLC ± ± ± 0.3		PRODUCT SPEC 製品規格		ILM ASSY LGA2011	
1-PLC ± ± ± 3°		APPLICATION SPEC 取付適用規格		SIZE	CAGE CODE
2-PLC ± ± ±		WEIGHT		A2	00779
3-PLC ± ± ±		CUSTOMER DRAWING		DRAWING NO 番号	
4-PLC ± ± ±		SCALE 尺度		C=2134439	
FINISH 仕上		SHEET		3 OF 3	
MATERIAL 材料		REV		E	

2134439

## X-ON Electronics

Largest Supplier of Electrical and Electronic Components

*Click to view similar products for IC & Component Sockets category:*

*Click to view products by TE Connectivity manufacturer:*

Other Similar products are found below :

[714-43-102-31-012000](#) [0066-3-17-15-30-14-02-0](#) [0134-0-15-15-32-27-04-0](#) [614-DG5](#) [6527-0-00-15-00-00-03-0](#) [670](#) [672](#) [673](#) [712-93-120-41-001000](#) [714-93-104-31-018000](#) [8059-4G1-LF](#) [807-22-001-10-001101](#) [807-22-001-10-003101](#) [807-22-001-10-004101](#) [807-22-001-10-006101](#) [807-22-001-30-011101](#) [807-22-001-30-012101](#) [807-22-001-30-013101](#) [807-22-001-30-014101](#) [8-1437531-4](#) [8150-6P10](#) [833-93-034-10-001000](#) [835-43-014-10-001000](#) [851-41-006-10-001000](#) [851-43-008-20-001000](#) [851-43-014-20-001000](#) [851-93-006-20-001000](#) [851-93-010-20-001000](#) [853-43-020-10-001000](#) [86.010.0053.0](#) [116-43-306-41-003000](#) [116-43-308-41-007000](#) [116-87-308-41-007101](#) [PX-68LCC](#) [PX-84LCC](#) [121-13-318-41-001000](#) [121-13-320-41-001000](#) [121-13-308-41-001000](#) [123-43-314-41-801000](#) [123-43-420-41-001000](#) [123-43-636-41-001000](#) [123-87-320-41-001101](#) [122-13-316-41-001000](#) [123-13-624-41-001000](#) [123-43-306-41-001000](#) [123-43-322-41-801000](#) [123-43-428-41-001000](#) [123-43-624-41-001000](#) [12-3513-11](#) [123-91-320-41-001000](#)