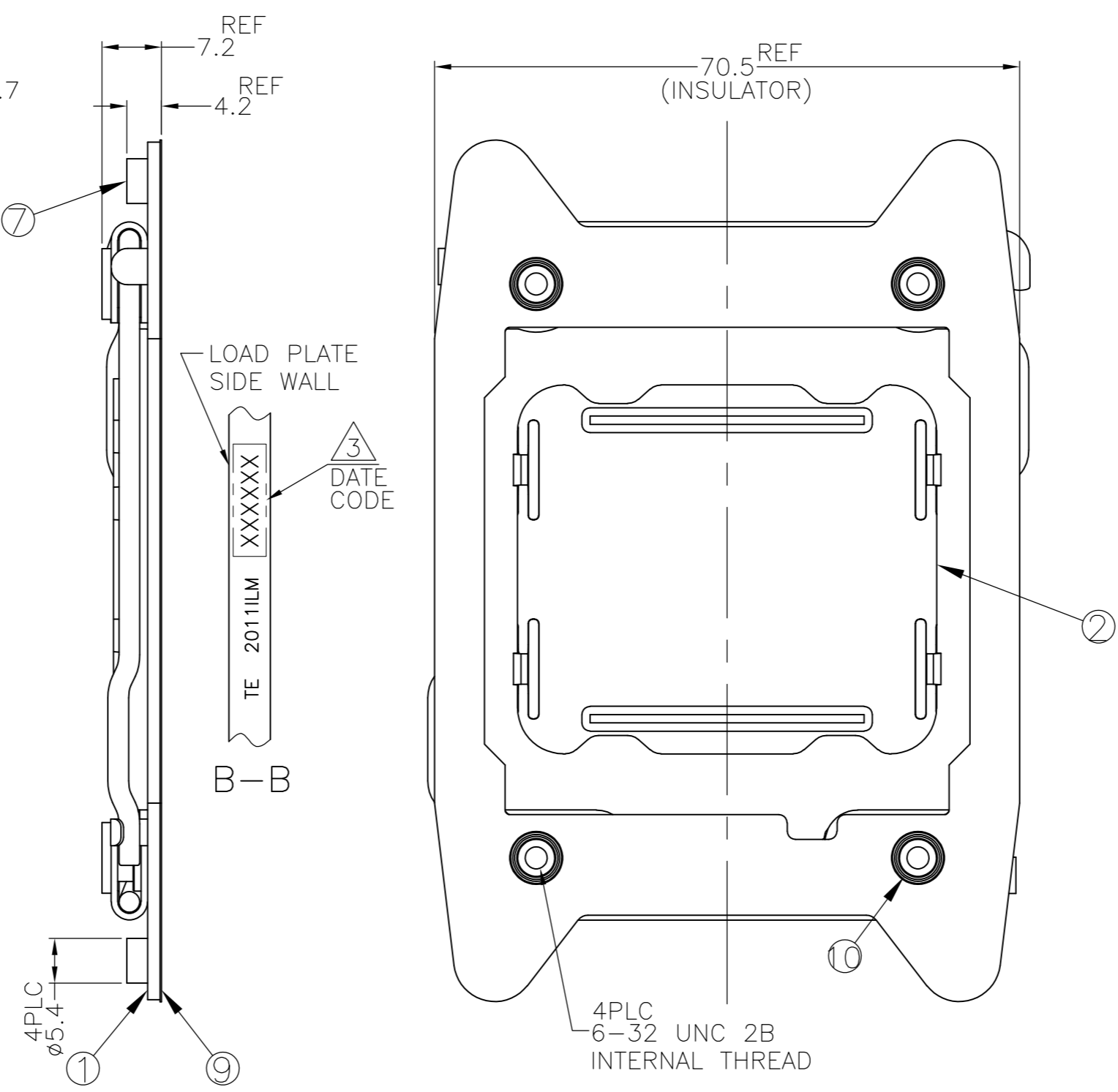
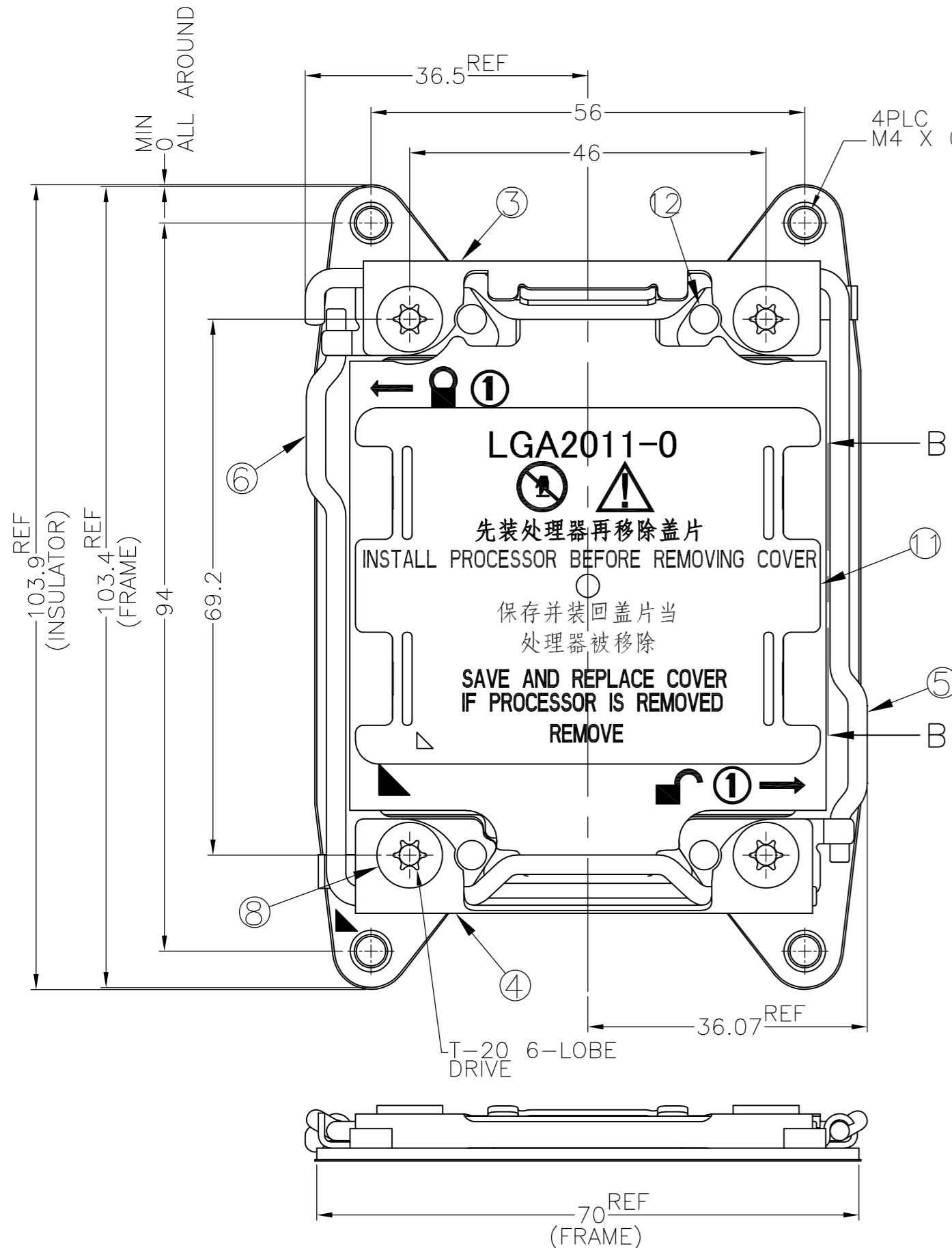


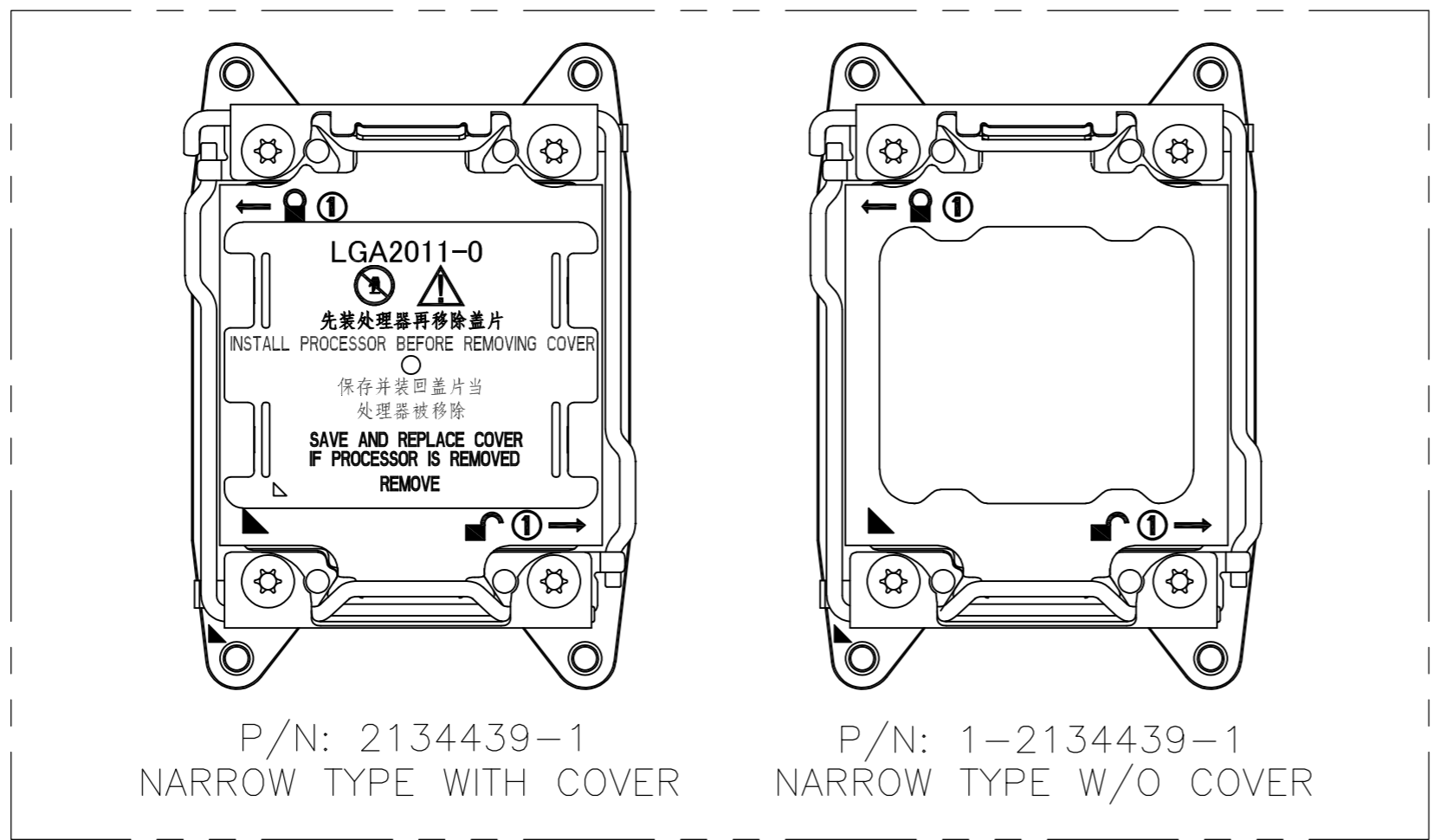
THIS DRAWING IS UNPUBLISHED. RELEASED FOR PUBLICATION APR , 2011.
 © COPYRIGHT 2011 By Tyco Electronics Japan G.K. ALL RIGHTS RESERVED.

LOC	DIST	REVISONS				
		P	LTR	DATE	DWN	APVD
J	-	E	REVISED	28JUN'12	J.C	T.N



- MATERIAL
 - ① FRAME: STAINLESS STEEL
 - ② LOAD PLATE: STAINLESS STEEL
 - ③ HINGE CLEVIS: STAINLESS STEEL
 - ④ ACTIVE CLEVIS: STAINLESS STEEL
 - ⑤ HINGE LEVER: STAINLESS STEEL, 2.5 DIA
 - ⑥ ACTIVE LEVER: STAINLESS STEEL, 2.5 DIA
 - ⑦ HS STUD: STAINLESS STEEL
 - ⑧ CAPTIVE NUT: CARBON STEEL, FINISH: NI PLATING
 - ⑨ INSULATOR: POLYCARBONATE FILM PLUS ACRYLIC ADHESIVE LAYER
 - ⑩ CAPTIVE NUT COLLAR: CARBON STEEL, FINISH: NI PLATING
 - ⑪ DUST COVER: THERMO-PLASTIC, UL94V-0, BLACK
 - ⑫ RIVET: STAINLESS STEEL
2. APPLICABLE SOCKET P/N: 1554653 SERIES
 - ③ INDICATED DATE CODE ON THE LOAD PLATE
 - ④ DO NOT OPEN WITH FORCE FROM OPEN END

P/N: 2134439-1 AS SHOWN
(NARROW TYPE WITH COVER)



WEIGHT(g)	DESCRIPTION	PART NO.
82.9	WIDE TYPE WITH COVER AND LABEL, W/O HS STUD	2134439-4
84.4	WIDE TYPE WITH COVER AND LABEL	2134439-3
80.5	WIDE TYPE W/O COVER	1-2134439-2
84.0	WIDE TYPE WITH COVER	2134439-2
78.5	NARROW TYPE W/O COVER	1-2134439-1
82.0	NARROW TYPE WITH COVER	2134439-1

THIS DRAWING IS A CONTROLLED DOCUMENT.

DWN: J.CHEN 16NOV2010	TE Connectivity NAME: T.NAKASHIMA PRODUCT SPEC: 108-78750 APPLICATION SPEC: 114-5474	SIZE: A2	CAGE CODE: 00779	DRAWING NO: C=2134439	RESTRICTED TO: -
CHK: H.TAGUCHI 16NOV2010		SCALE: NTS	SHEET: 1 OF 3	REV: E	
APVD: T.NAKASHIMA 16NOV2010					
PRODUCT SPEC: 108-78750					

TOLERANCES UNLESS OTHERWISE SPECIFIED: 一般公差
 6-PLC ± ± ±0.3
 1-PLC ± ± ±3'
 2-PLC ± ± ±3'
 3-PLC ± ± ±3'
 4-PLC ± ± ±3'
 ANGLES: ± ± ±3'
 FINISH: 仕上

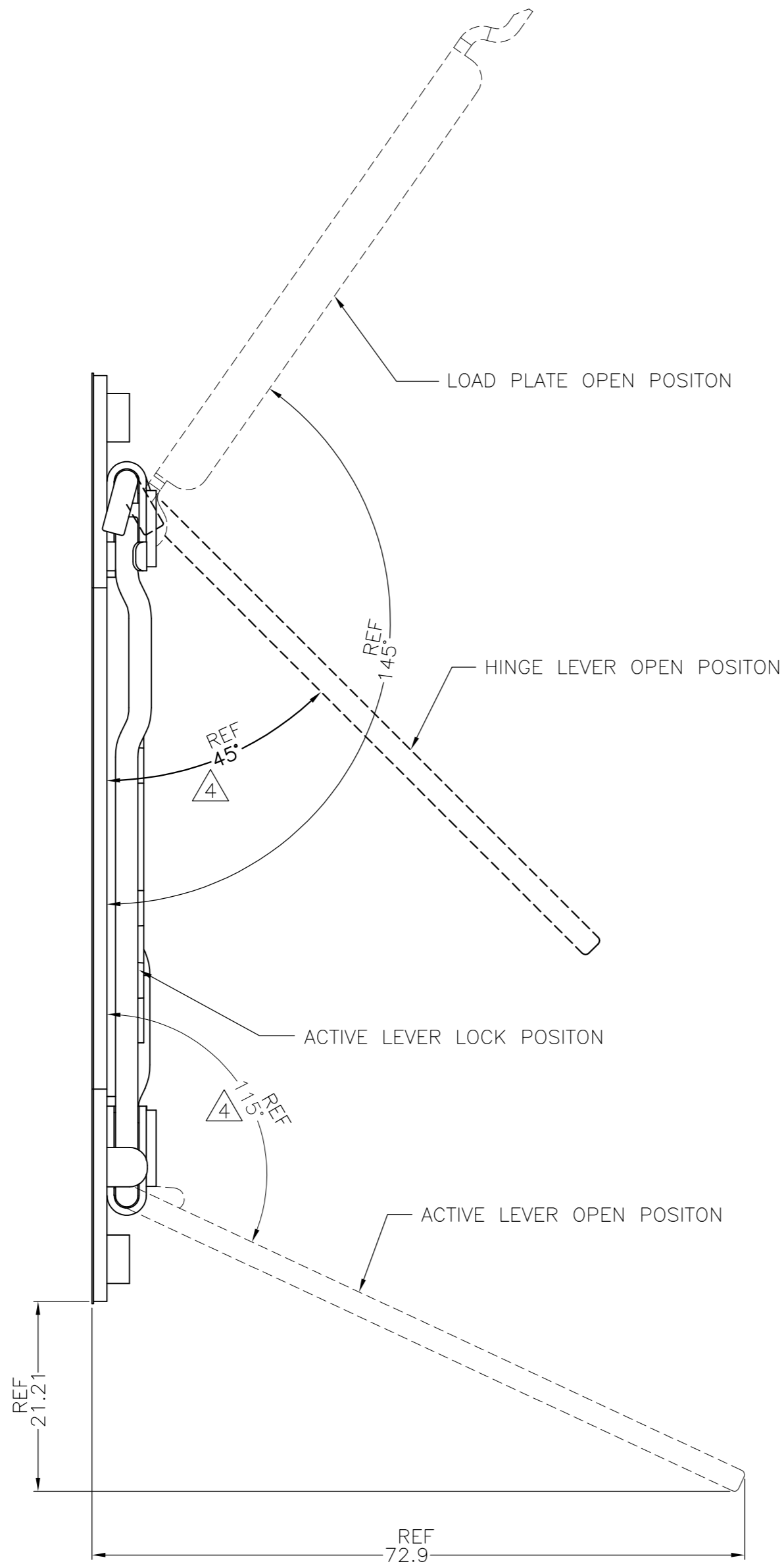
MATERIAL: 材料

WEIGHT: SEE TABLE

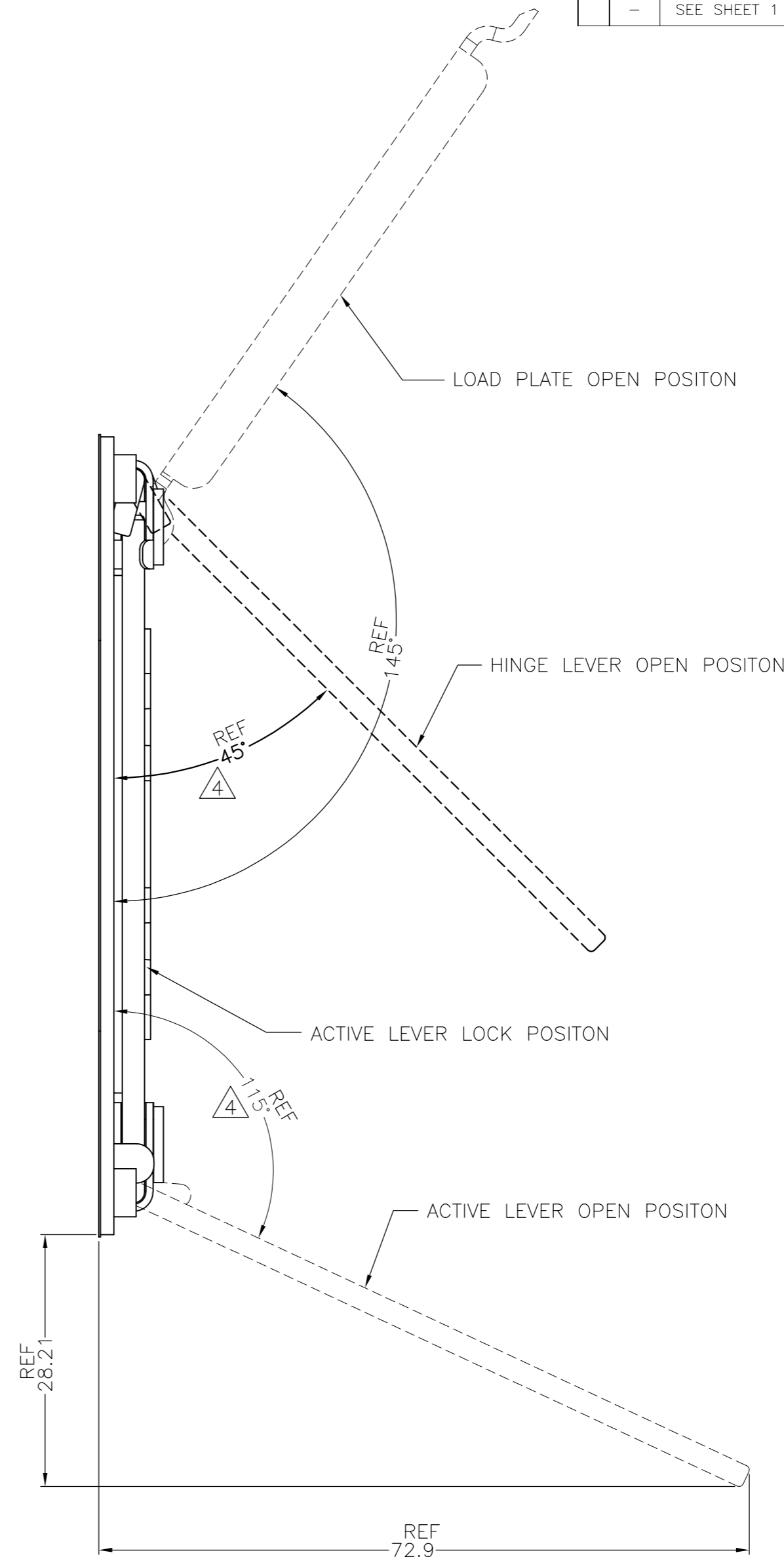
CUSTOMER DRAWING

THIS DRAWING IS UNPUBLISHED. RELEASED FOR PUBLICATION APR , 2011.
 © COPYRIGHT 2011 By Tyco Electronics Japan G.K. ALL RIGHTS RESERVED.

LOC	DIST	REVISIONS					
J	-	P	LTR	DESCRIPTION	DATE	DWN	APVD
		-	-	SEE SHEET 1	-	-	-



2134439-1, 1-2134439-1 AS SHOWN



2134439-2, -3, -4 1-2134439-2 AS SHOWN

THIS DRAWING IS A CONTROLLED DOCUMENT.		DWN	-	STE TE Connectivity	
DIMENSIONS: 単位: 寸 mm		CHK	-		
TOLERANCES UNLESS OTHERWISE SPECIFIED: 一般公差		APVD	-	NAME 名称	
0-PLC ± ± ± 0.3		PRODUCT SPEC 製品規格		ILM ASSY LGA2011	
1-PLC ± ± ± 3°		APPLICATION SPEC 取付適用規格		SIZE	CAGE CODE
2-PLC ± ± ±		WEIGHT		A2	00779
3-PLC ± ± ±		CUSTOMER DRAWING		DRAWING NO 番号	
4-PLC ± ± ±		SCALE 尺度		C=2134439	
FINISH 仕上		SHEET		3 of 3	
MATERIAL 材料		REV		E	

2134439

X-ON Electronics

Largest Supplier of Electrical and Electronic Components

Click to view similar products for [Labels and Industrial Warning Signs](#) category:

Click to view products by [TE Connectivity](#) manufacturer:

Other Similar products are found below :

[ESSW30-025](#) [FTP-020P0704](#) [QC101](#) [QC105](#) [QCC613](#) [QCC615](#) [132465](#) [142810](#) [15288](#) [15425](#) [18511](#) [HTS795-1](#) [30288](#) [1768021-2](#) [18432](#)
[1878679-3](#) [2-1878614-6](#) [PTL-31-427-YL](#) [30239](#) [QC154](#) [QCC612](#) [30545](#) [35070](#) [WM-15-PK](#) [WM-20-PK](#) [5-1768021-6](#) [06770](#) [11197](#)
[111852](#) [111932](#) [KMT-02513V-9](#) [8-1768039-4](#) [1878983-4](#) [B422 25X85MM](#) [PAXLBK10](#) [LAT-52-361-1](#) [PTL-20-486](#) [PTL-38-486](#) [PTLFT-](#)
[01-425](#) [13903](#) [11237](#) [18389](#) [18341](#) [18603](#) [29904](#) [18519](#) [18524](#) [115110](#) [11199](#) [18542](#)