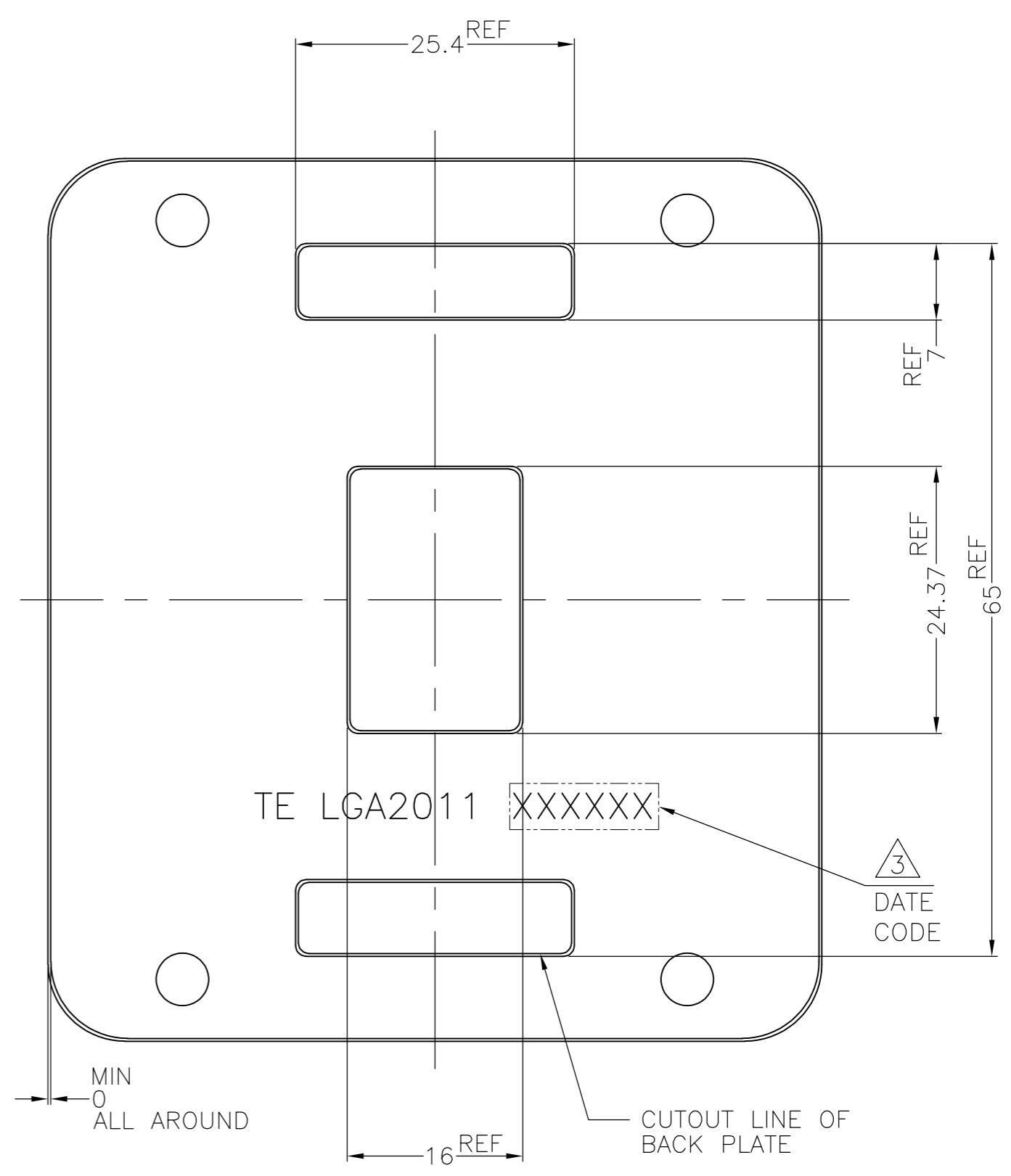
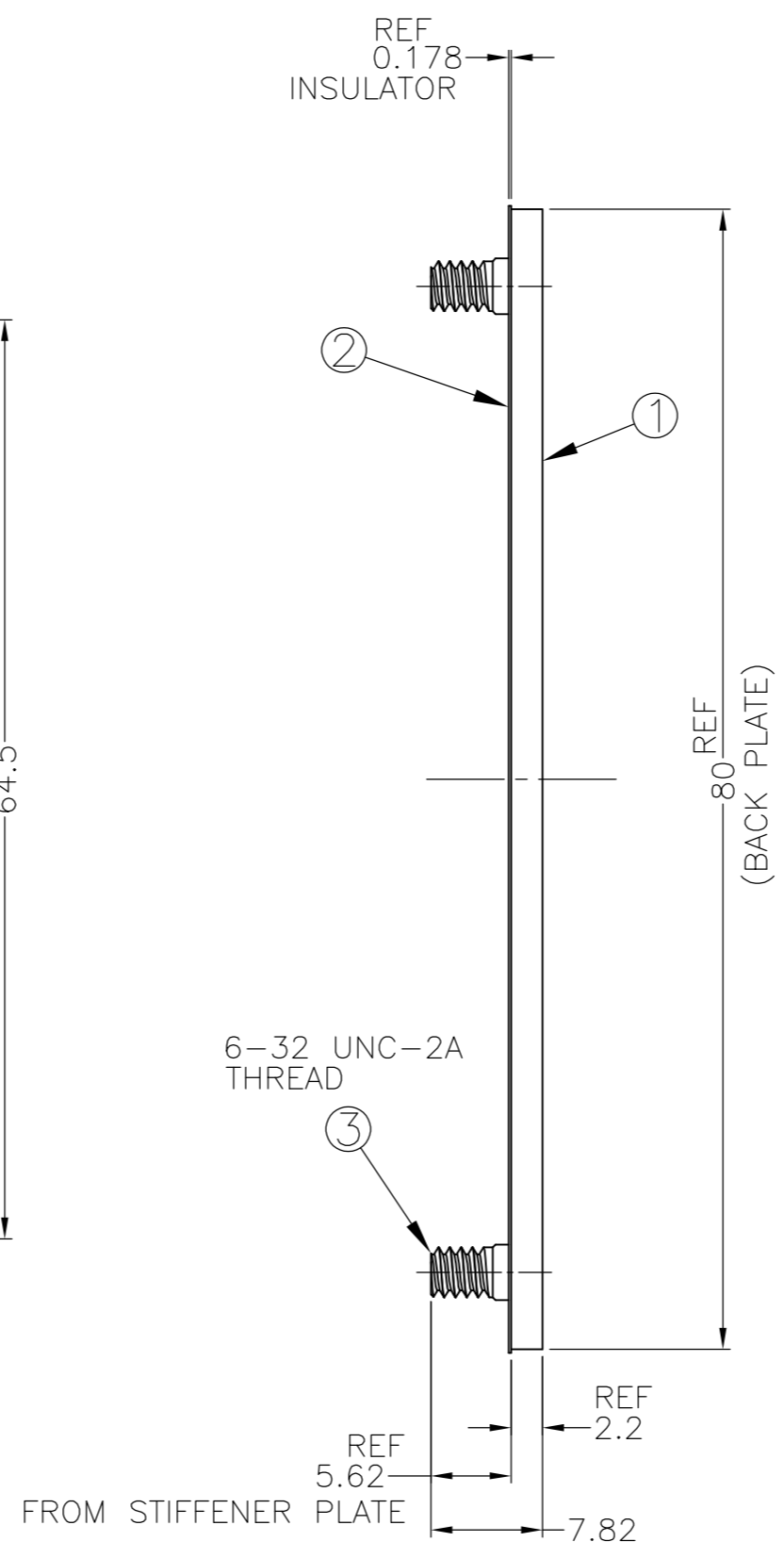
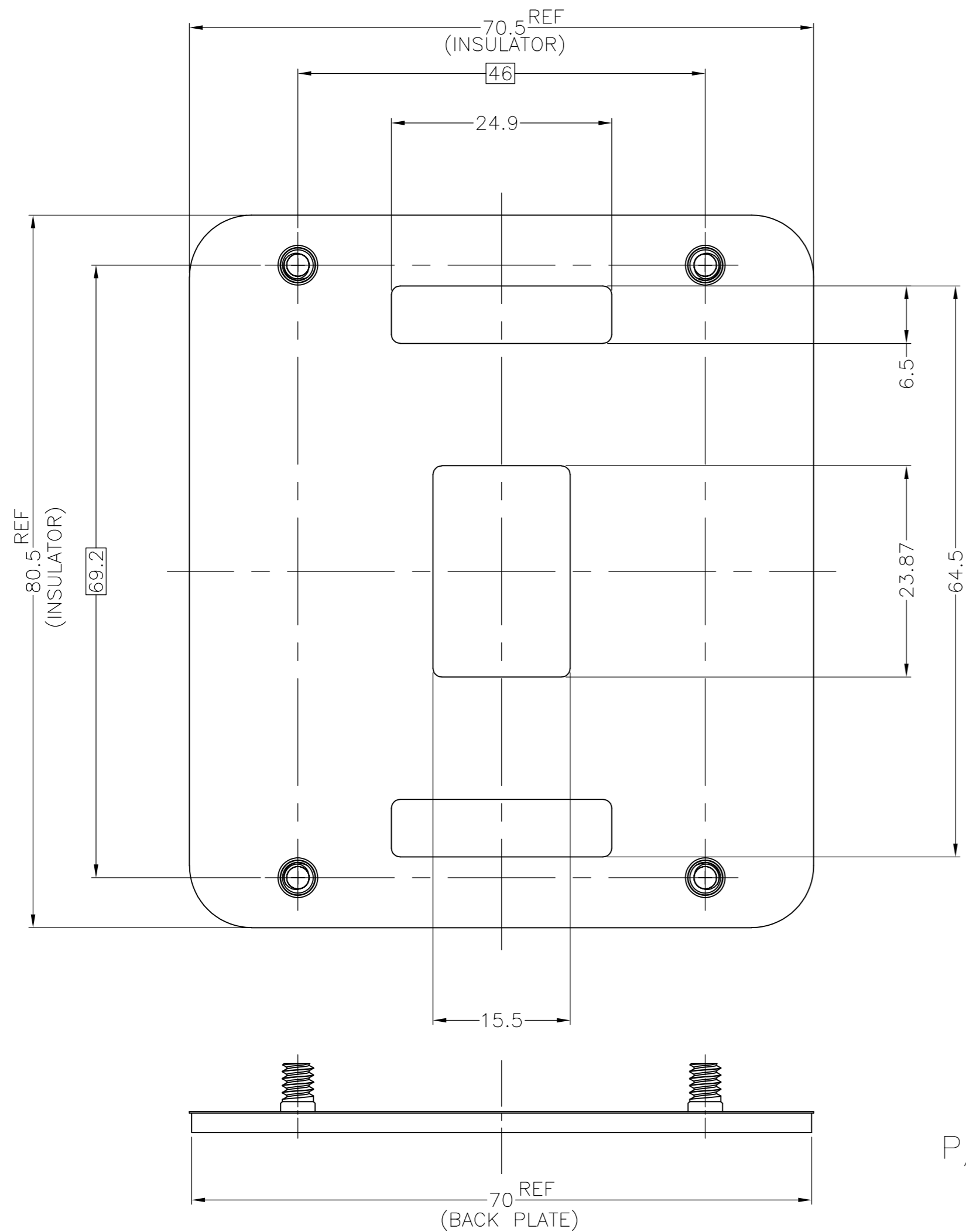


THIS DRAWING IS UNPUBLISHED. RELEASED FOR PUBLICATION APR , 2011.  
 © COPYRIGHT 2011 By Tyco Electronics Japan G.K. ALL RIGHTS RESERVED.

LOC	DIST	REVISIONS			DATE	DWN	APVD
J	-	P	LTR	DESCRIPTION			
		E		REVISED	12APR'16	J.W	C.W



P/N: 2134440-1 AS SHOWN

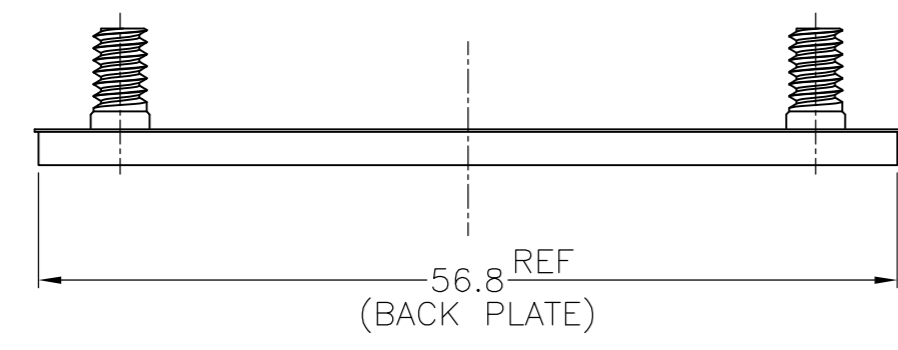
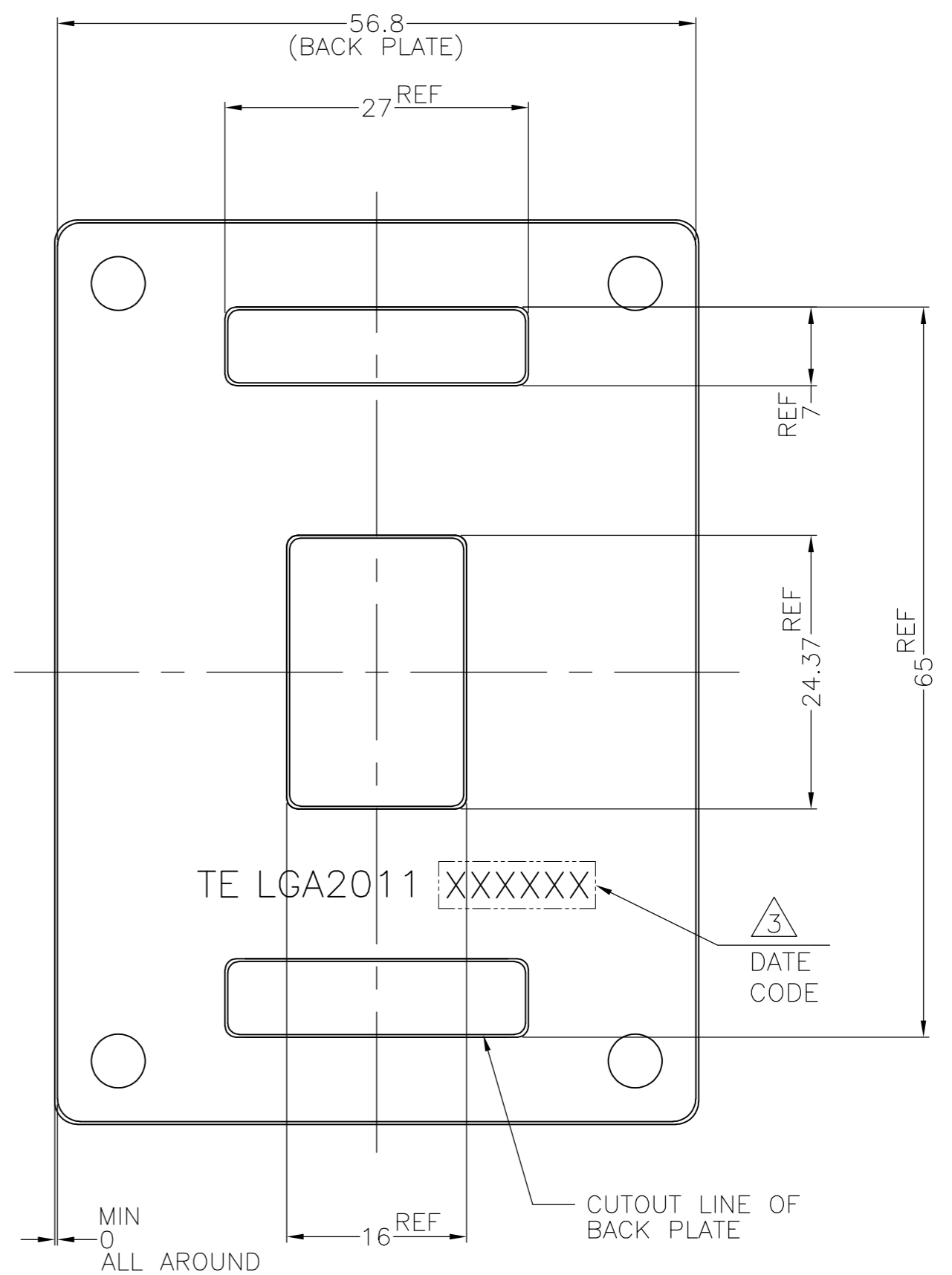
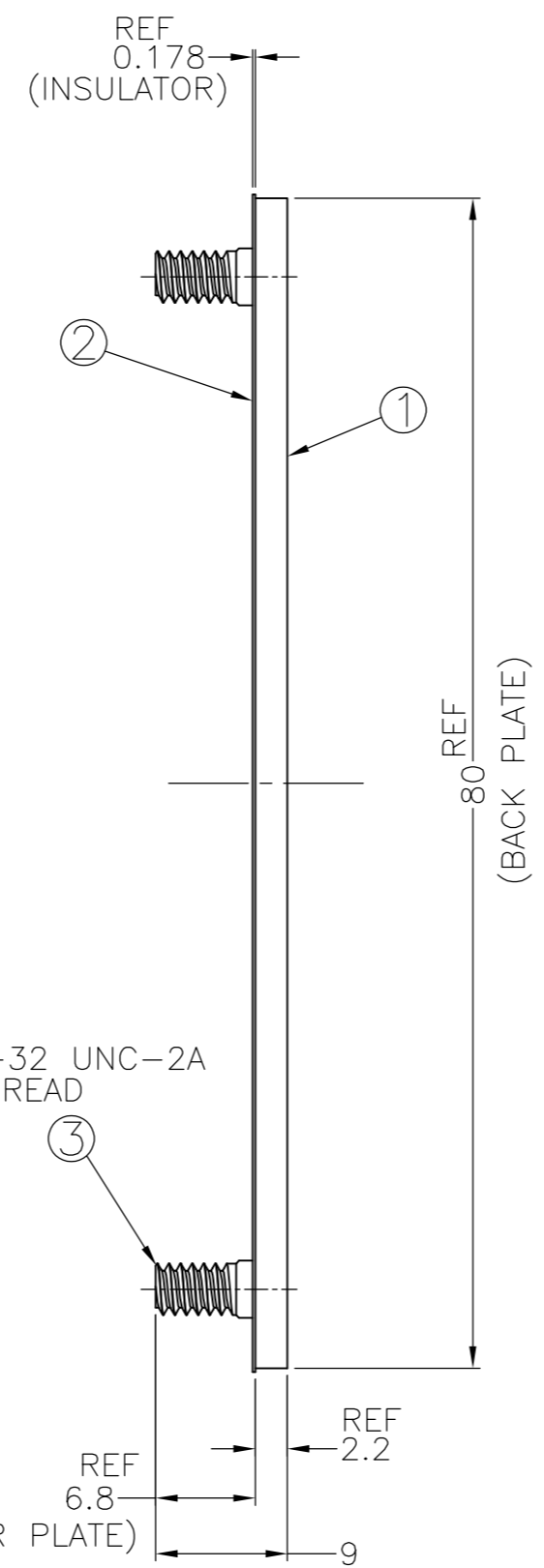
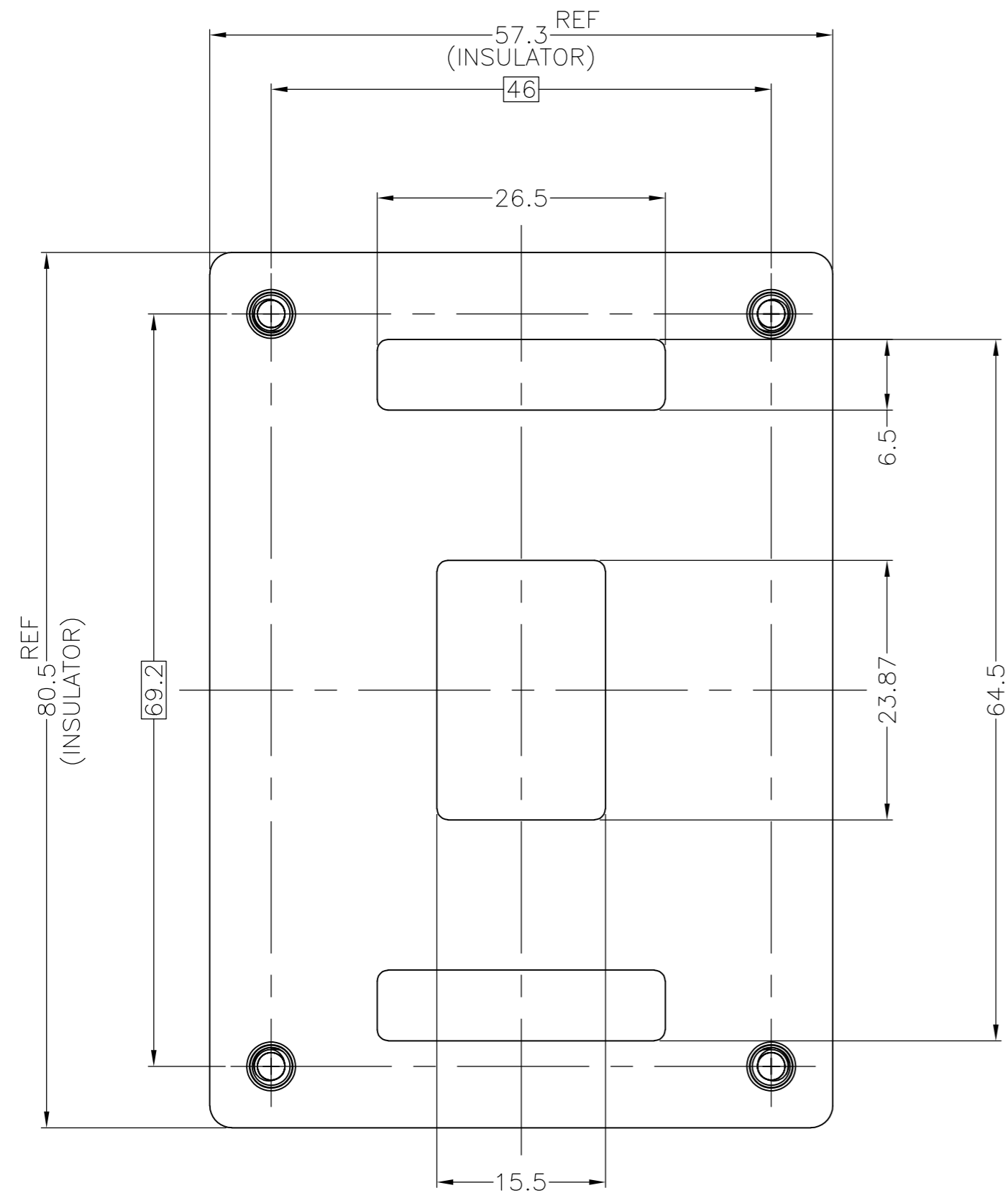
NOTE(APPLIED TO SHEET 1 OF 5, 3~5 OF 5):

- MATERIAL:
  - ① BACK PLATE: STEEL, FINISH: NI PLATING
  - ② INSULATOR: POLYCARBONATE FILM PLUS ACRYLIC ADHESIVE LAYER
  - ③ STUD: STEEL, FINISH: NI PLATING
- ASSEMBLED WITH ILM ASSEMBLY P/N: 2134439 SERIES
- INDICATED DATE CODE ON THE BACK PLATE

85.1	Ni PLATING	2134440-7
84.9	Ni PLATING	2134440-5
84.7	Ni PLATING	2134440-4
67.5	Ni PLATING	2134440-3
84.7	Ni PLATING	2134440-1
WEIGHT(g)	FINISH	PART NO.

THIS DRAWING IS A CONTROLLED DOCUMENT.		DWN	J.CHEN	16NOV2010	 TE Connectivity
DIMENSIONS: 単位: 寸 mm		CHK	H.TAGUCHI	16NOV2010	
TOLERANCES UNLESS OTHERWISE SPECIFIED: 一般公差		APVD	T.NAKASHIMA	16NOV2010	
0-PLC ± ± ± 0.3 1-PLC ± ± ± 0.3 2-PLC ± ± ± 0.3 3-PLC ± ± ± 0.3 4-PLC ± ± ± 0.3 ANGLES ± ± ± 0.3 FINISH 仕上		NAME 名称 PRODUCT SPEC 製品規格 APPLICATION SPEC 取付適用規格 108-78750 114-5474		DRAWING NO 番号 C=2134440	
MATERIAL 材料		WEIGHT	SEE TABLE		RESTRICTED TO
		CUSTOMER DRAWING	SCALE 尺度	2:1	SHEET 1 OF 5
			SIZE	A2	REV E
			CAGE CODE	00779	

LOC		DIST		REVISIONS			
J		-		変更	DATE	DWN	APVD
P		LTR		DESCRIPTION			
				SEE SHEET 1	-	-	-



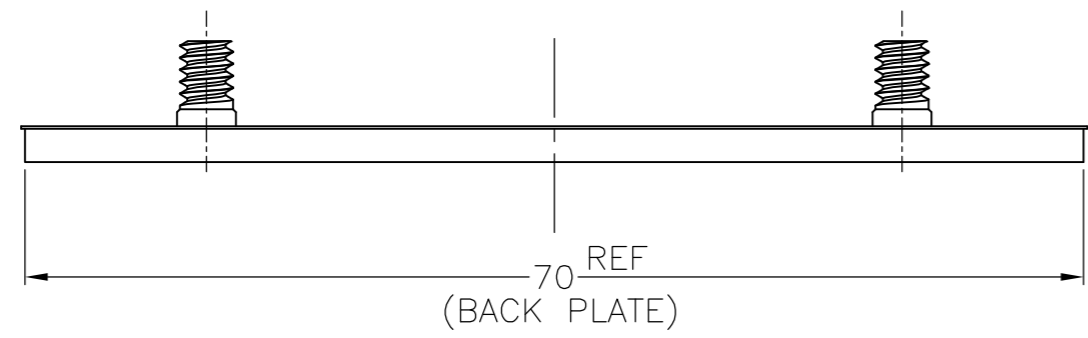
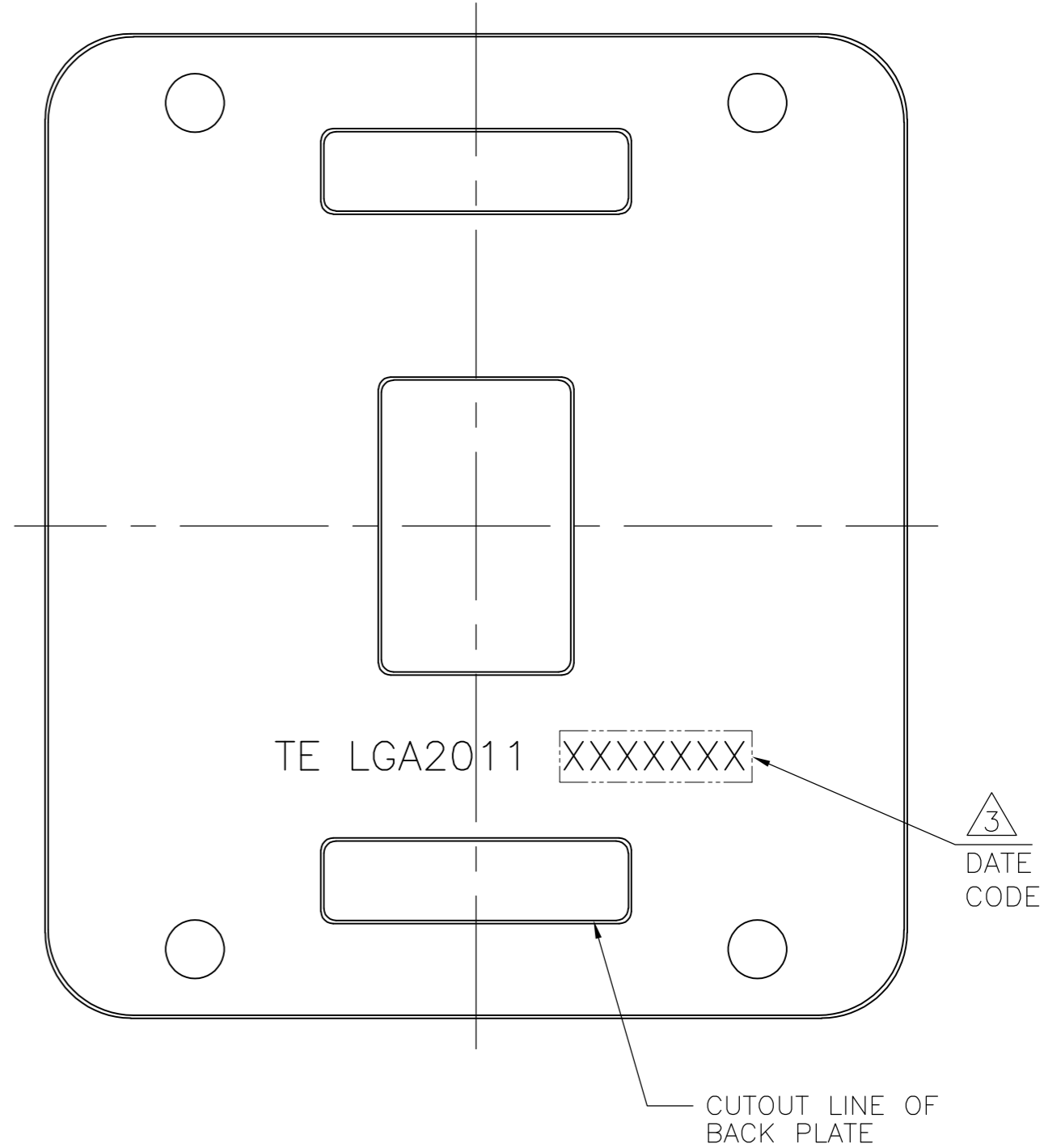
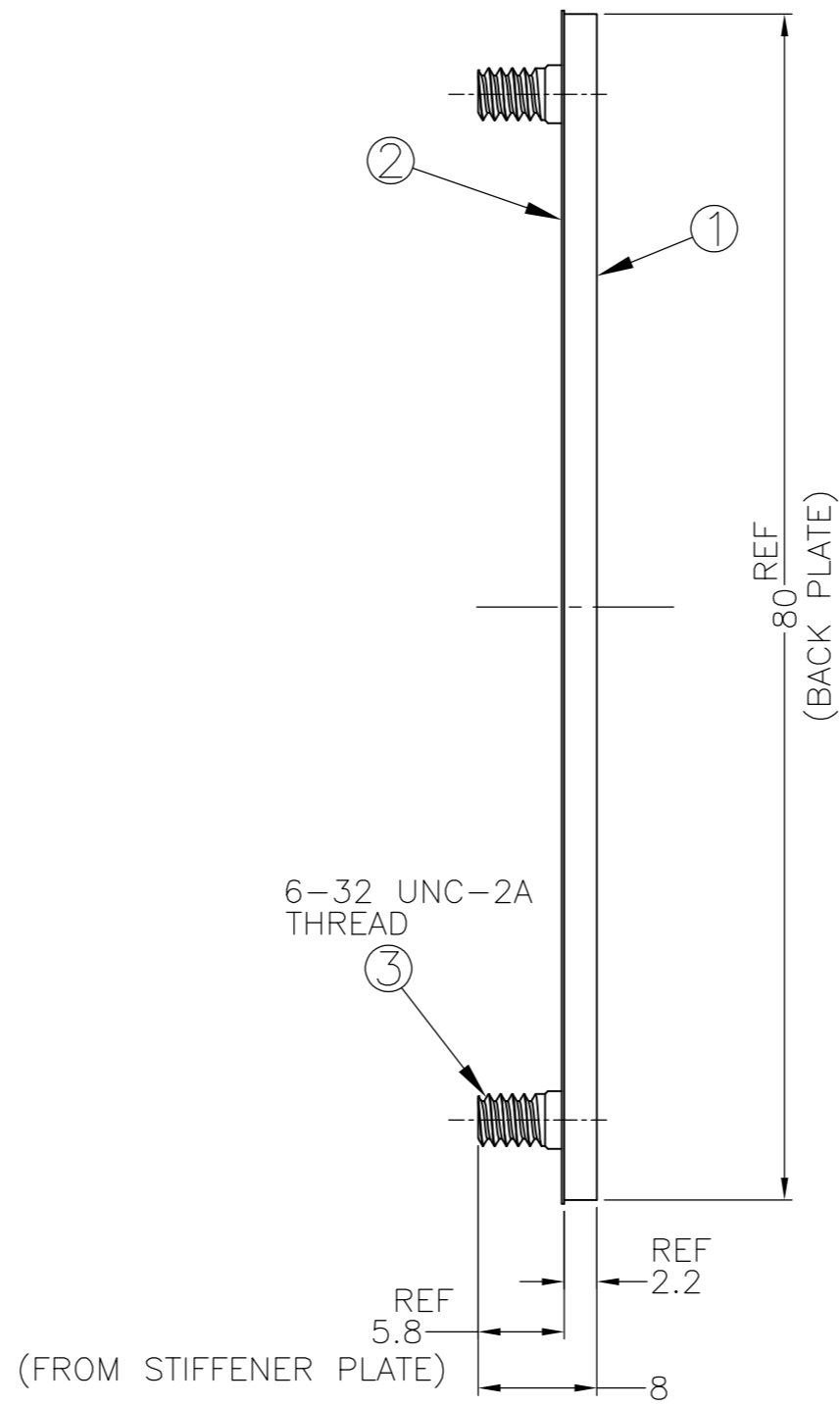
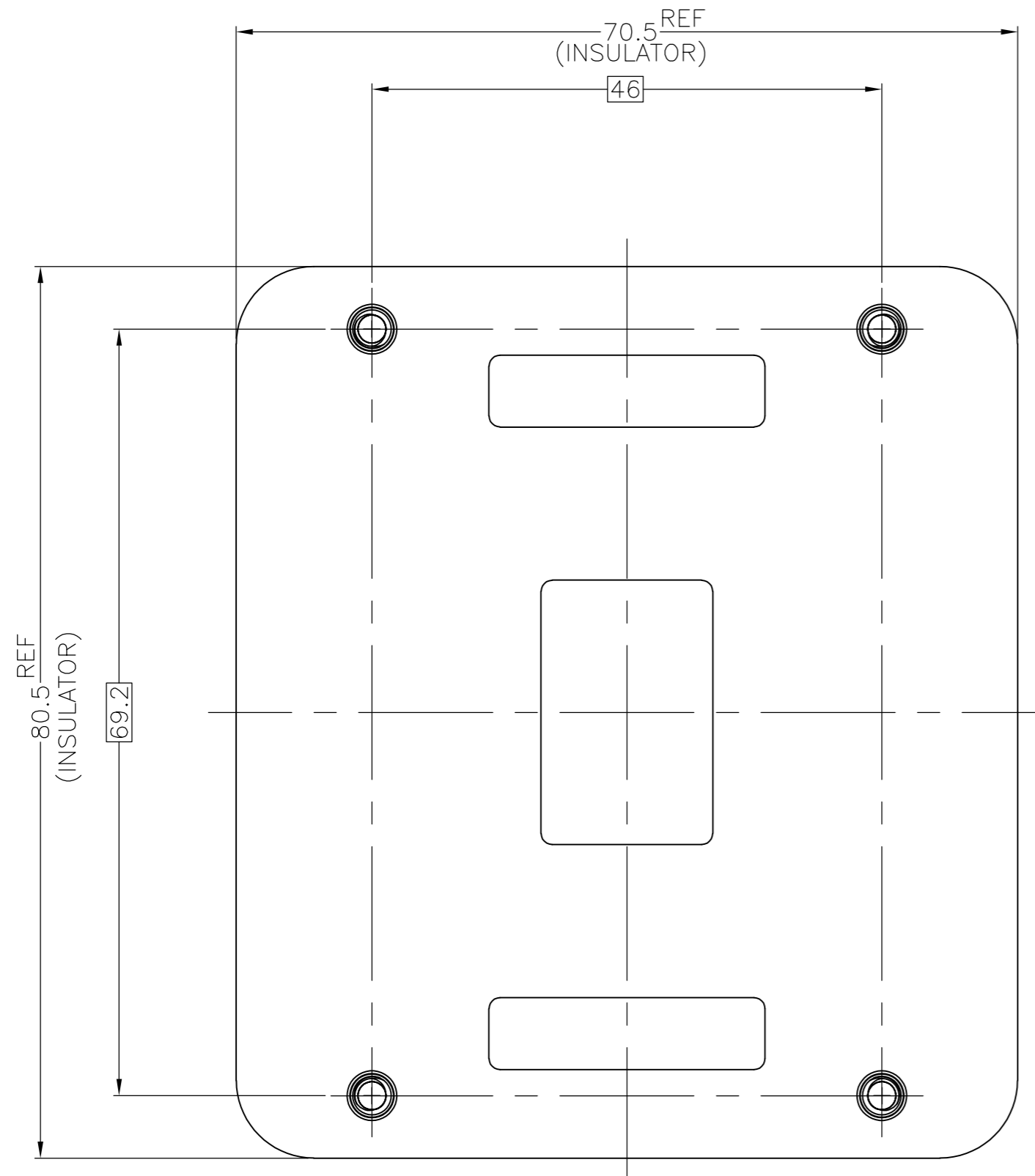
P/N: 2134440-3 AS SHOWN

- NOTE(APPLIED TO SHEET 2 OF 5):
- MATERIAL:
    - ① BACK PLATE: STEEL, FINISH: NI PLATING
    - ② INSULATOR: POLYCARBONATE FILM PLUS ACRYLIC ADHESIVE LAYER
    - ③ STUD: STEEL, FINISH: NI PLATING
  - ASSEMBLED WITH ILM ASSEMBLY P/N: 2134439 SERIES
  - INDICATED DATE CODE ON THE BACK PLATE
  - APPLICABLE PCB THICKNESS: 2.86~3.58mm

THIS DRAWING IS A CONTROLLED DOCUMENT.		DWN	TE Connectivity	
DIMENSIONS: 単位: 寸 mm		CHK	BACK PLATE ASSY LGA2011	
TOLERANCES UNLESS OTHERWISE SPECIFIED: 一般公差		APVD	SIZE	CAGE CODE
0-PLC ± ± ± 0.3 1-PLC ± ± ± 3° 2-PLC ± ± ± 3-PLC ± ± ± 4-PLC ± ± ± ANGLES 仕上		NAME	DRAWING NO	RESTRICTED TO
MATERIAL 材料		PRODUCT SPEC 製品規格	A2	00779
FINISH 仕上		APPLICATION SPEC 取付適用規格	C=2134440	REV E
WEIGHT SEE TABLE		SCALE 尺度 2:1	SHEET 2 of 5	
CUSTOMER DRAWING				

THIS DRAWING IS UNPUBLISHED. RELEASED FOR PUBLICATION APR , 2011.  
 © COPYRIGHT 2011 By Tyco Electronics Japan G.K. ALL RIGHTS RESERVED.

LOC	DIST	REVISIONS					
J	-	P	LTR	DESCRIPTION	DATE	DWN	APVD
		-	-	SEE SHEET 1	-	-	-

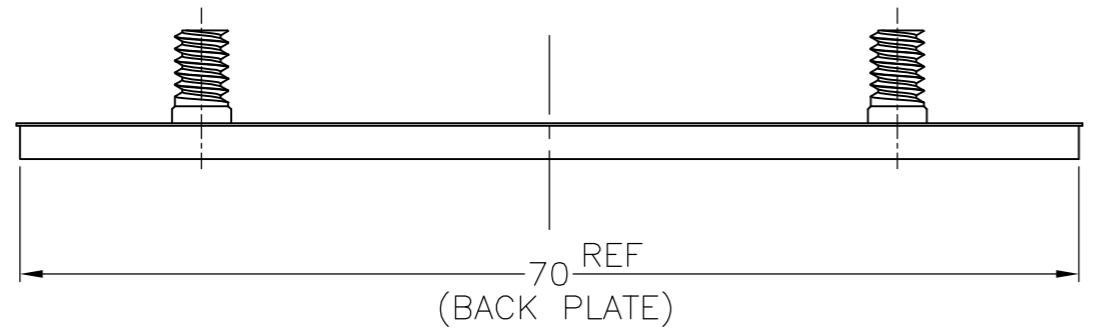
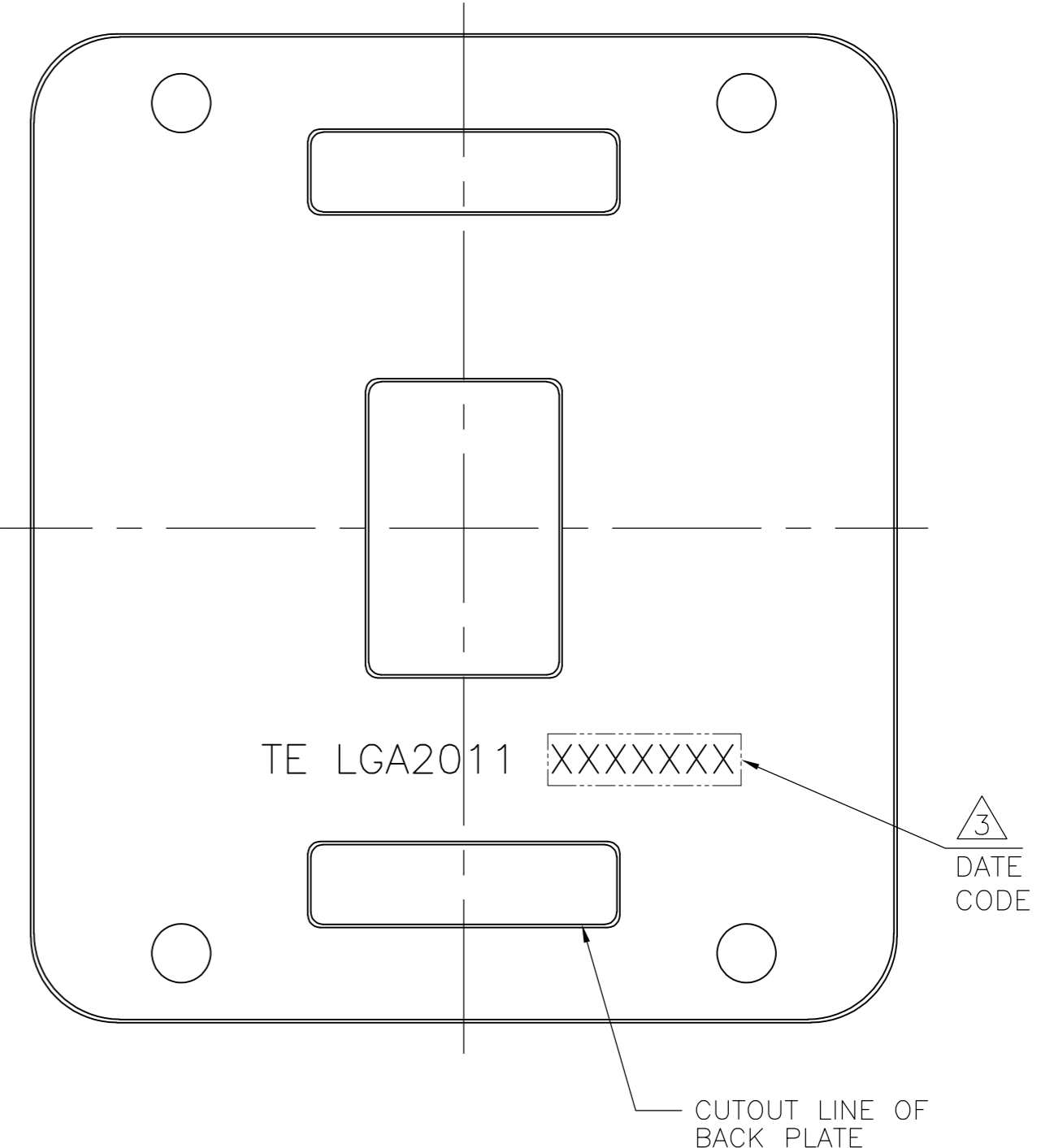
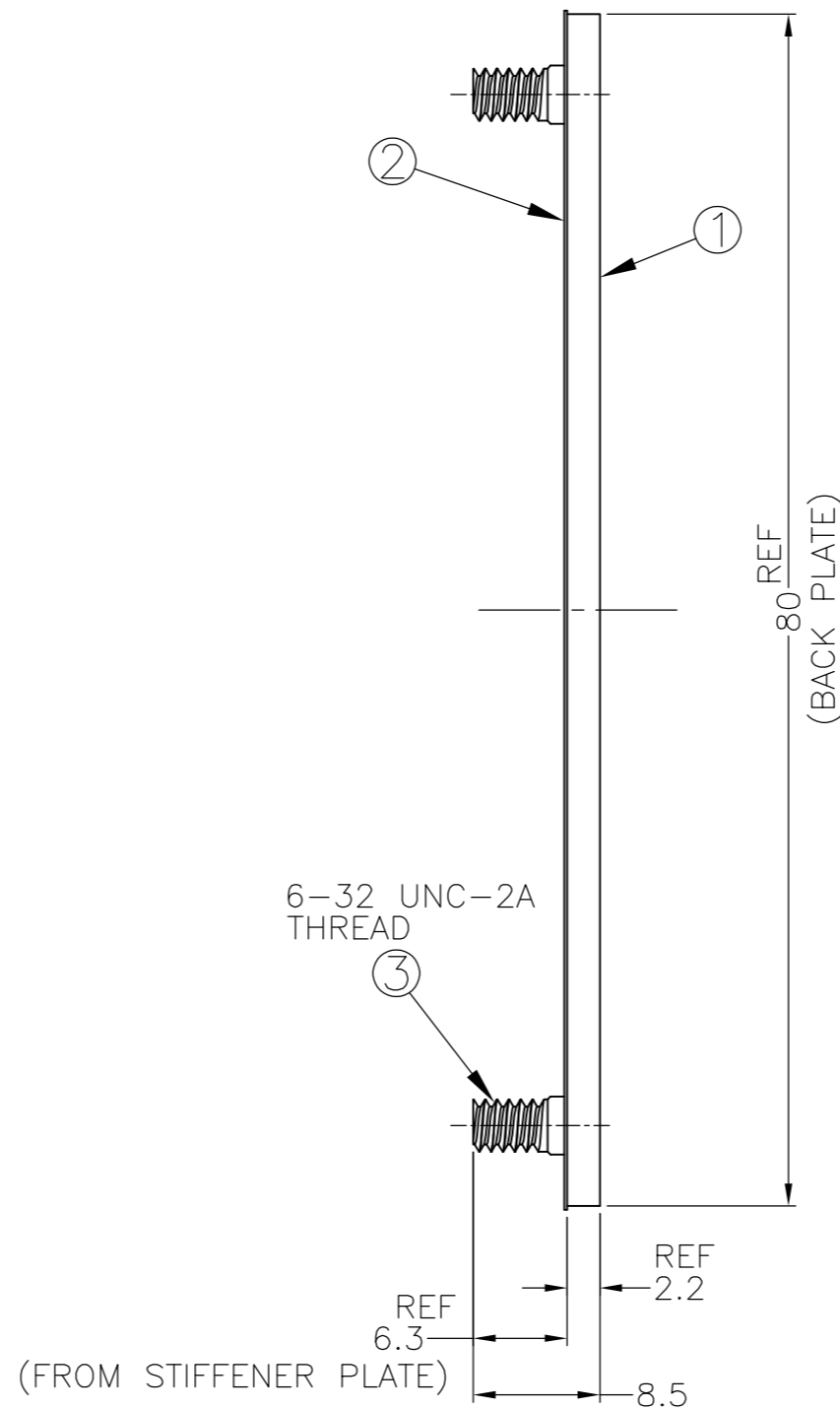
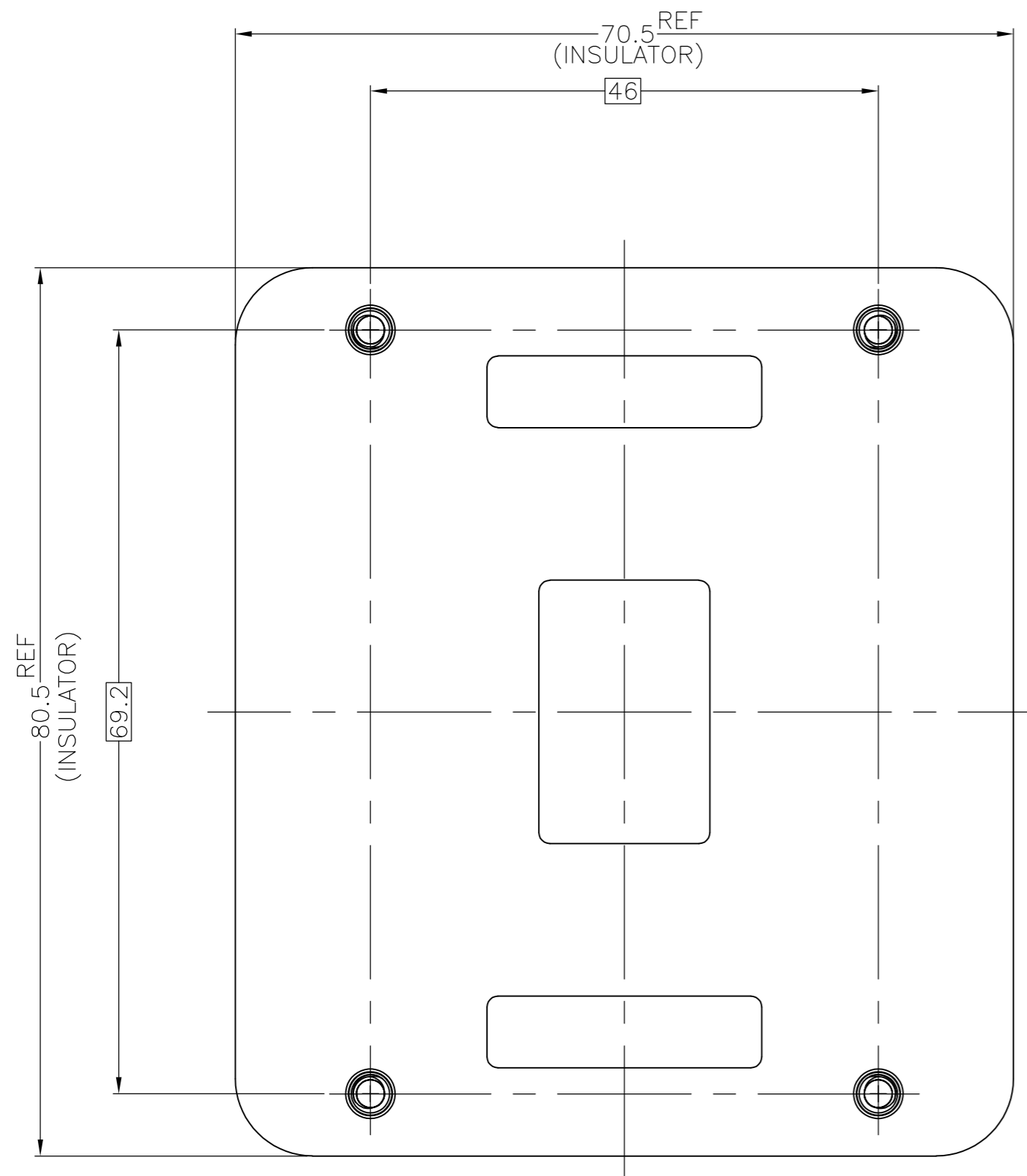


2134440-4 AS SHOWN  
 UNLESS SPECIFIED  
 DIMENSION ARE SAME WITH -1

THIS DRAWING IS A CONTROLLED DOCUMENT.		DWN	-	<b>STE</b> TE Connectivity	
DIMENSIONS: 単位: 寸 mm		CHK	-		
TOLERANCES UNLESS OTHERWISE SPECIFIED: 一般公差		APVD	-	NAME 名称	
6-PLC ± ± 0.3		PRODUCT SPEC 製品規格		BACK PLATE ASSY	
1-PLC ± ± 3°		APPLICATION SPEC 取付適用規格		LGA2011	
2-PLC ± ±		WEIGHT	SEE TABLE	SIZE	A2
3-PLC ± ±		CUSTOMER DRAWING		CAGE CODE	00779
4-PLC ± ±		SCALE 尺度 2:1		DRAWING NO 番号	C=2134440
FINISH 仕上		SHEET 3 OF 5		RESTRICTED TO	-
MATERIAL 材料		REV E			

THIS DRAWING IS UNPUBLISHED. RELEASED FOR PUBLICATION APR , 2011.  
 © COPYRIGHT 2011 By Tyco Electronics Japan G.K. ALL RIGHTS RESERVED.

LOC		DIST		REVISIONS				DATE	DWN	APVD
P	LTR	DESCRIPTION								
		SEE SHEET 1								



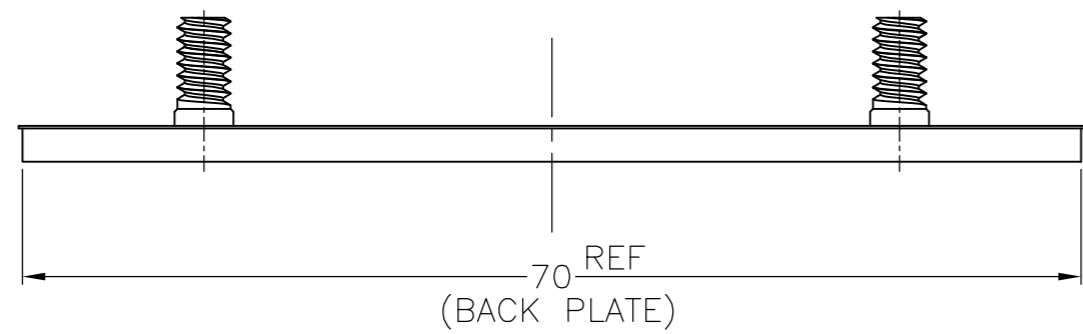
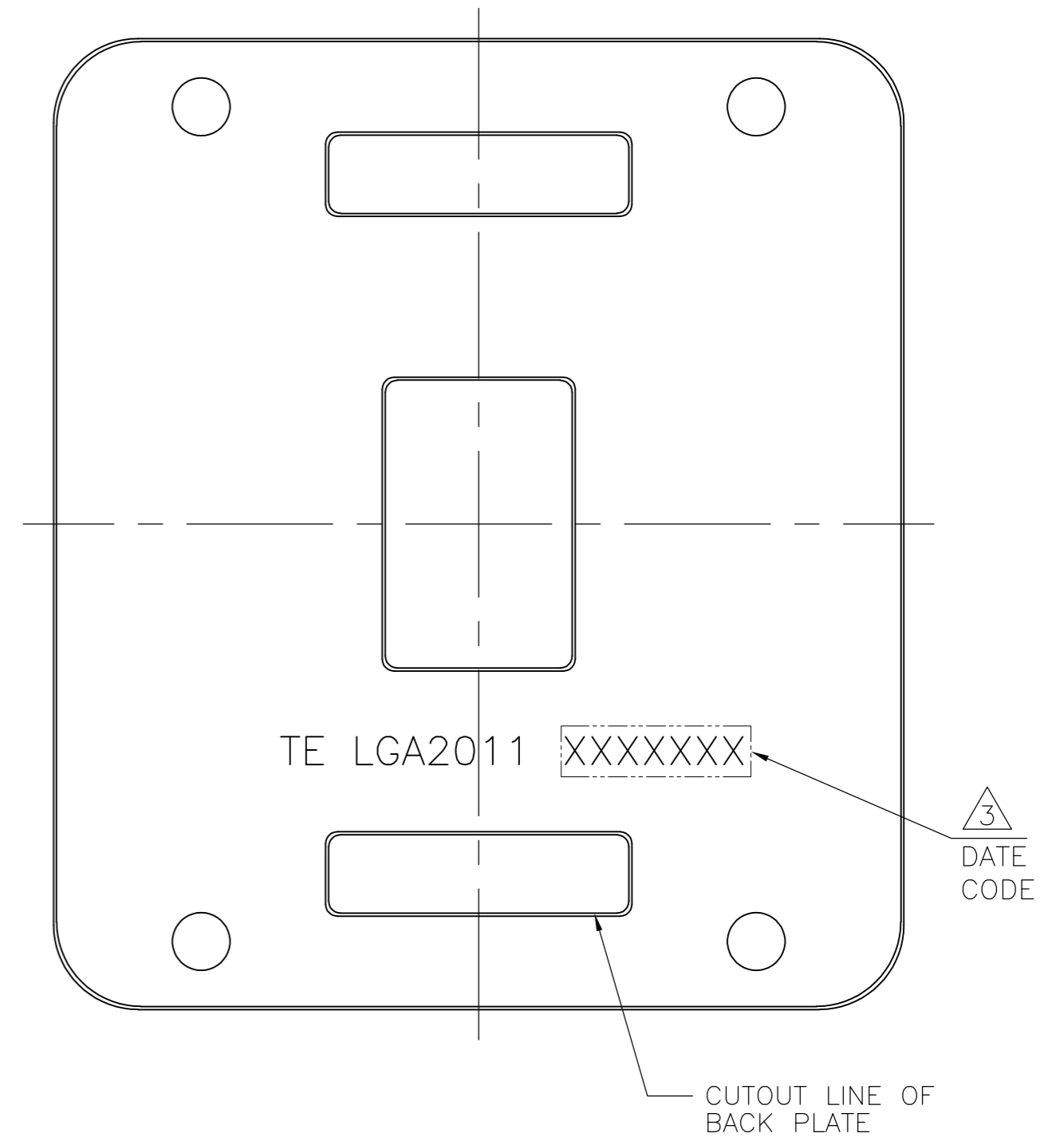
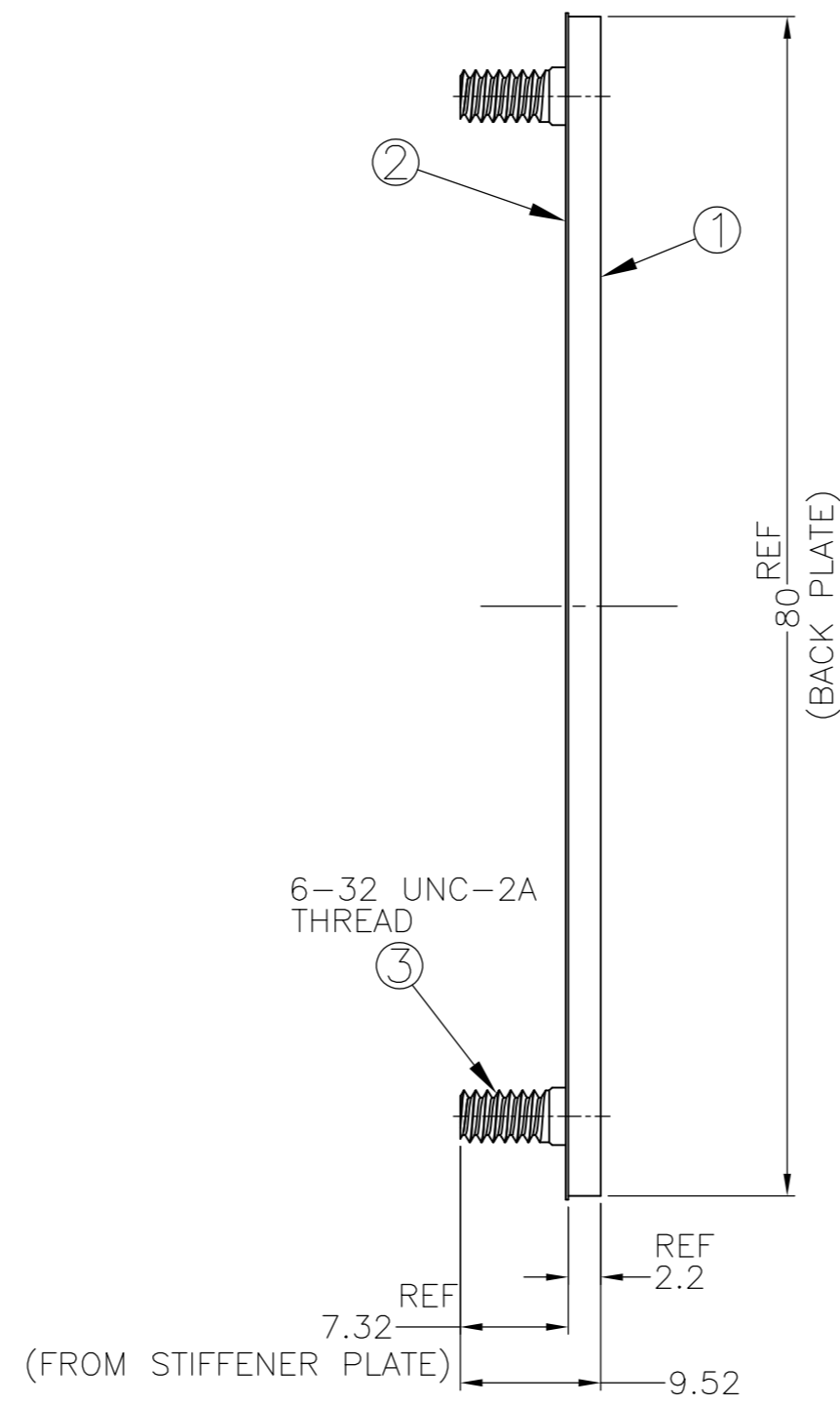
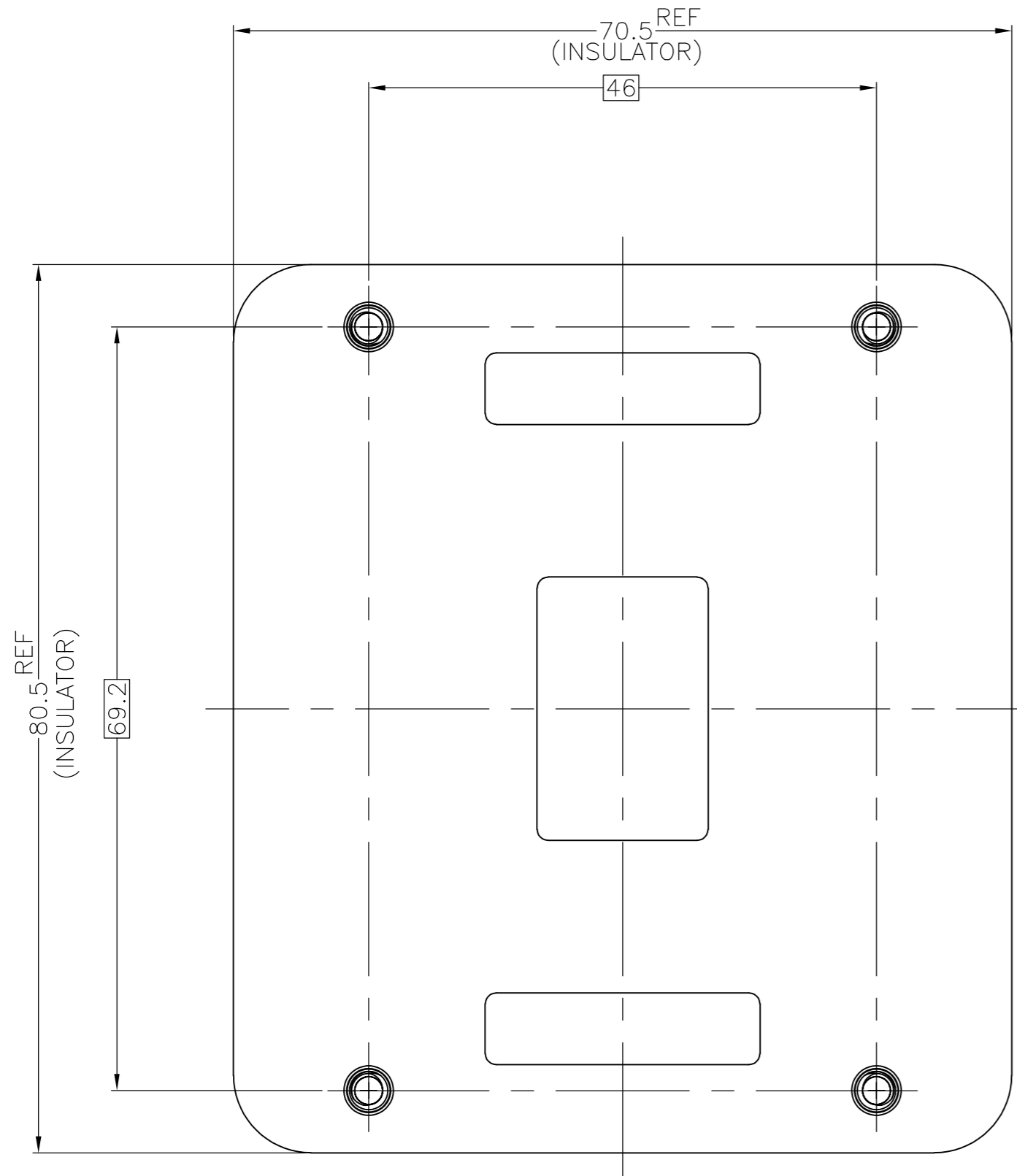
2134440-5 AS SHOWN  
 UNLESS SPECIFIED  
 DIMENSION ARE SAME WITH -1

THIS DRAWING IS A CONTROLLED DOCUMENT.		DWN	TE Connectivity	
DIMENSIONS: 単位: 種 mm		CHK	BACK PLATE ASSY LGA2011	
TOLERANCES UNLESS OTHERWISE SPECIFIED: 一般公差		APVD	DRAWING NO 番号 C=2134440	
6-PLC ± ± 0.3		PRODUCT SPEC 製品規格	SIZE A2	CAGE CODE 00779
1-PLC ± ± 0.3		APPLICATION SPEC 取付適用規格	RESTRICTED TO	
2-PLC ± ± 3°		WEIGHT SEE TABLE	REV E	
3-PLC ± ±		CUSTOMER DRAWING	SCALE 尺度 2:1	SHEET 4 OF 5
4-PLC ± ±				
ANGLES ± ±				
FINISH 仕上				

2134440

THIS DRAWING IS UNPUBLISHED. RELEASED FOR PUBLICATION APR , 2011.  
 © COPYRIGHT 2011 By Tyco Electronics Japan G.K. ALL RIGHTS RESERVED.

LOC	DIST	REVISIONS					
J	-	P	LTR	DESCRIPTION	DATE	DWN	APVD
		-	-	SEE SHEET 1	-	-	-



2134440-7 AS SHOWN  
 UNLESS SPECIFIED  
 DIMENSION ARE SAME WITH -1

THIS DRAWING IS A CONTROLLED DOCUMENT.		DWN	-	TE Connectivity NAME BACK PLATE ASSY LGA2011	
DIMENSIONS: 単位: 寸 mm		CHK	-		
TOLERANCES UNLESS OTHERWISE SPECIFIED: 一般公差		APVD	-	PRODUCT SPEC 製品規格	
0-PLC ± ± ± 0.3 1-PLC ± ± ± 2-PLC ± ± ± 3° 3-PLC ± ± ± 4-PLC ± ± ± ANGLES ± ± ±		APPLICATION SPEC 取付適用規格		SIZE CAGE CODE DRAWING NO 番号	
MATERIAL 材料		WEIGHT SEE TABLE		A2 00779 C=2134440	
FINISH 仕上		CUSTOMER DRAWING		RESTRICTED TO	
		SCALE 尺度 2:1		SHEET 5 OF 5 REV E	

2134440

## X-ON Electronics

Largest Supplier of Electrical and Electronic Components

*Click to view similar products for [IC & Component Sockets](#) category:*

*Click to view products by [TE Connectivity](#) manufacturer:*

Other Similar products are found below :

[0066-3-17-15-30-14-02-0](#) [670](#) [672](#) [673](#) [694-13-640-00-672-000](#) [712-93-120-41-001000](#) [714-93-104-31-018000](#) [8059-4G1-LF](#) [807-22-001-10-001101](#) [807-22-001-10-006101](#) [807-22-001-30-011101](#) [807-22-001-30-012101](#) [807-22-001-30-013101](#) [807-22-001-30-014101](#) [8-1437531-4](#) [8150-6P10](#) [833-93-034-10-001000](#) [851-41-006-10-001000](#) [851-43-008-20-001000](#) [851-43-014-20-001000](#) [851-93-006-20-001000](#) [851-93-010-20-001000](#) [853-43-020-10-001000](#) [86.010.0053.0](#) [116-43-308-41-007000](#) [PX-68LCC](#) [121-13-318-41-001000](#) [121-13-320-41-001000](#) [121-13-308-41-001000](#) [123-43-314-41-801000](#) [123-43-420-41-001000](#) [122-13-316-41-001000](#) [123-13-624-41-001000](#) [123-43-306-41-001000](#) [12-3513-11](#) [123-91-320-41-001000](#) [126-43-310-41-002000](#) [AKSUN 37V-T](#) [1437503-9](#) [1437504-1](#) [146-44-308-41-013000](#) [146-43-308-41-012000](#) [160-10-308-00-001000](#) [160-40-320-00-001000](#) [214-99-306-01-670800](#) [232-1270-02-0602](#) [2-382761-4](#) [2-5331677-4](#) [2-640360-3](#) [2801-2-00-50-00-00-07-0](#)