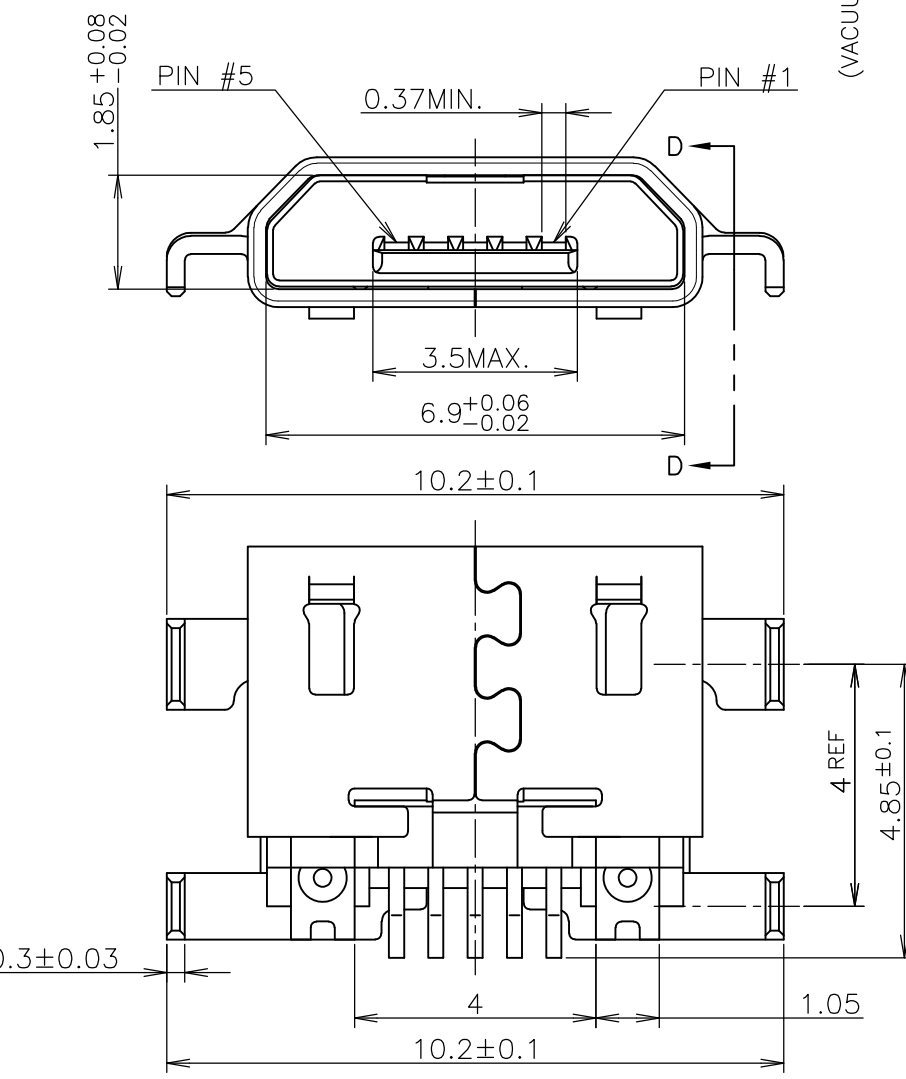
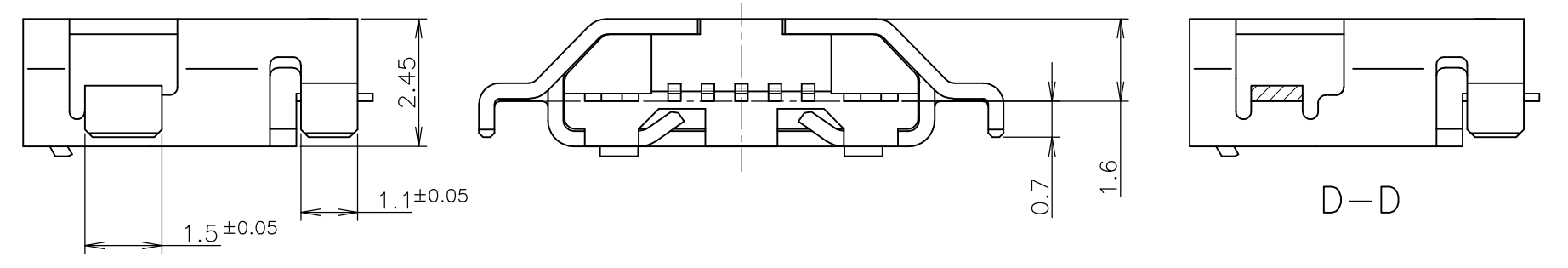
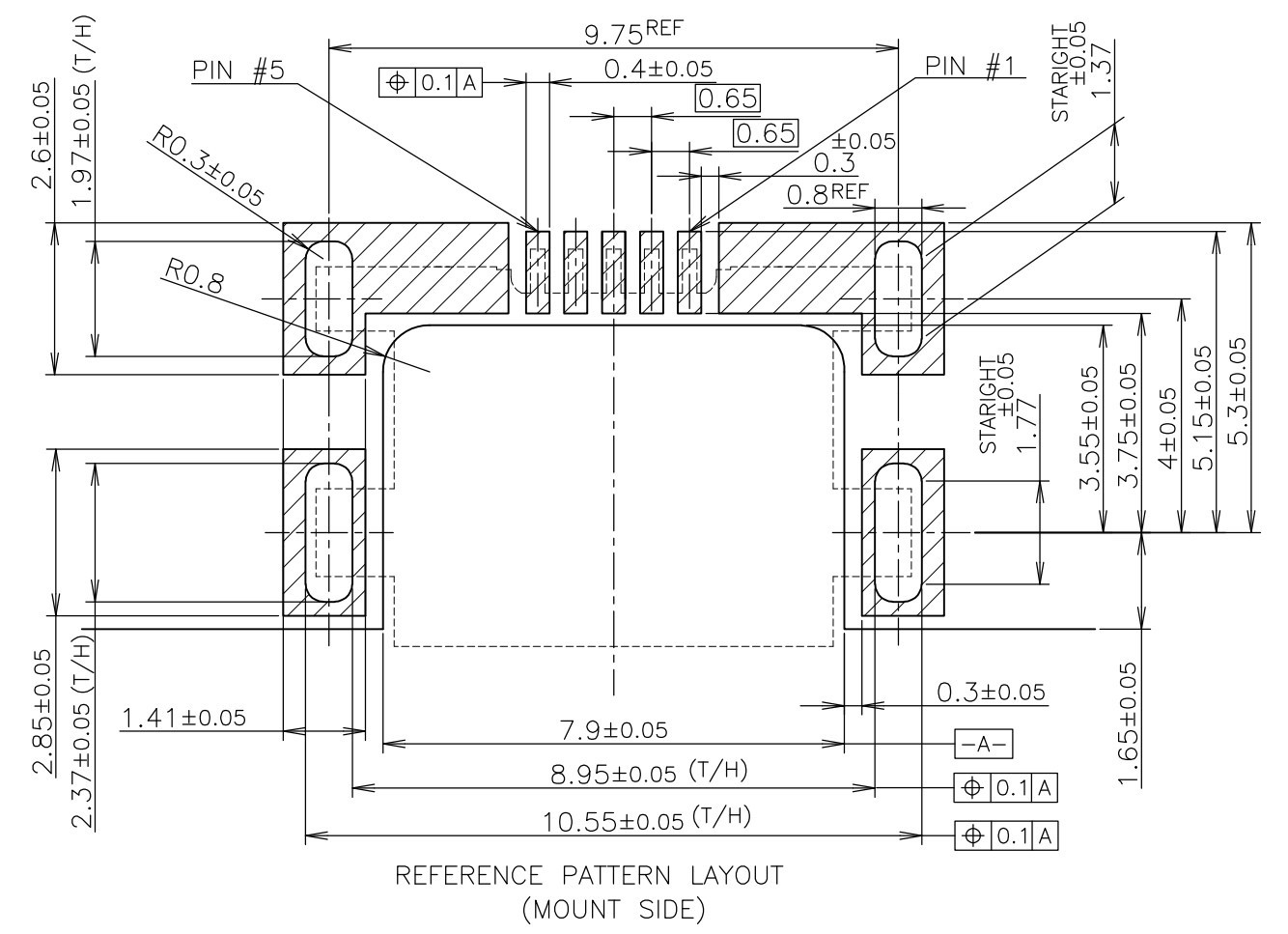
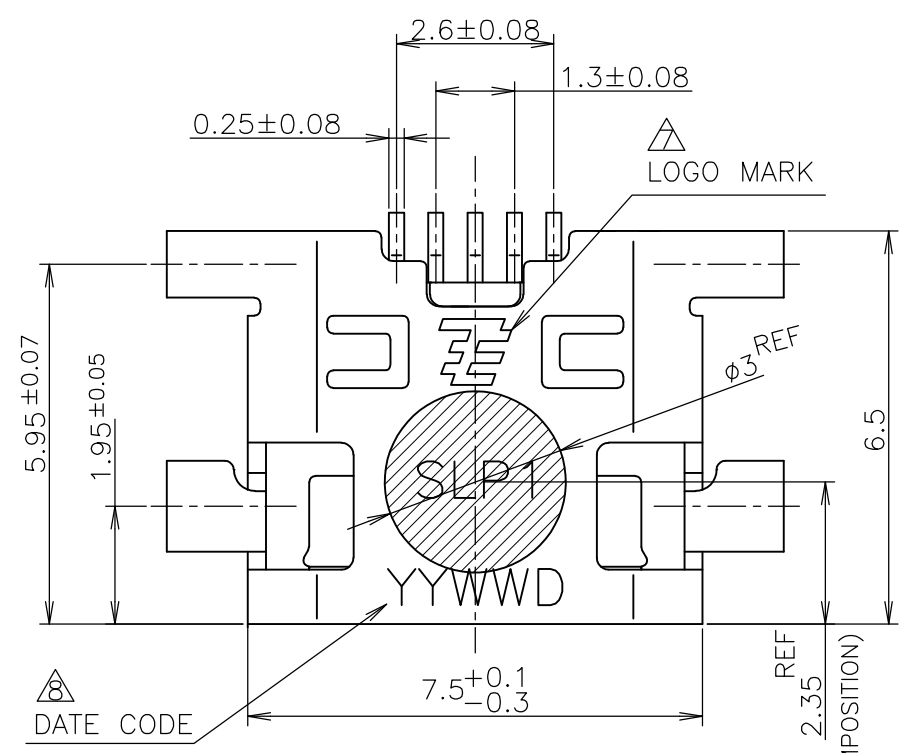


THIS DRAWING IS UNPUBLISHED. RELEASED FOR PUBLICATION JUL ,2011.
 © COPYRIGHT 2011 By Tyco Electronics Japan G.K. ALL RIGHTS RESERVED.

LOC	DIST	REVISIONS					
J	/	P	LTR	DESCRIPTION	DATE	DWN	APVD
		A	RELEASED		25JUL2011	C.O	T.K

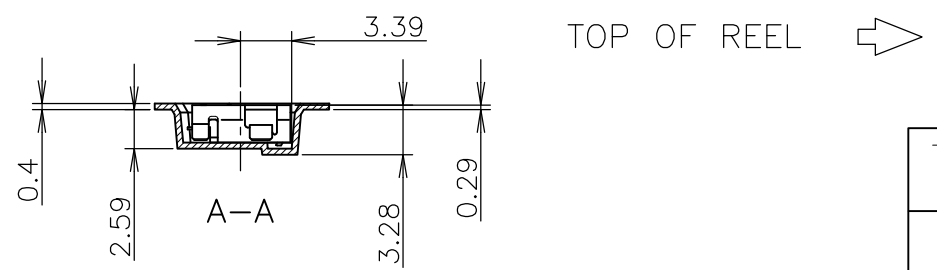
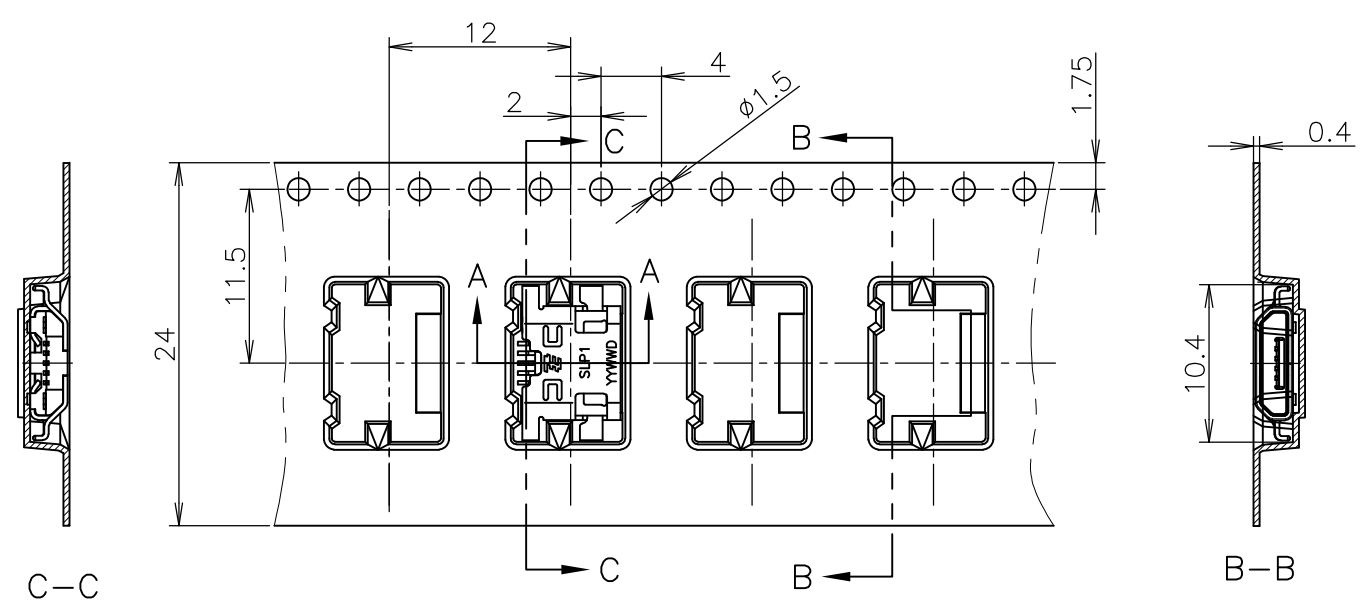
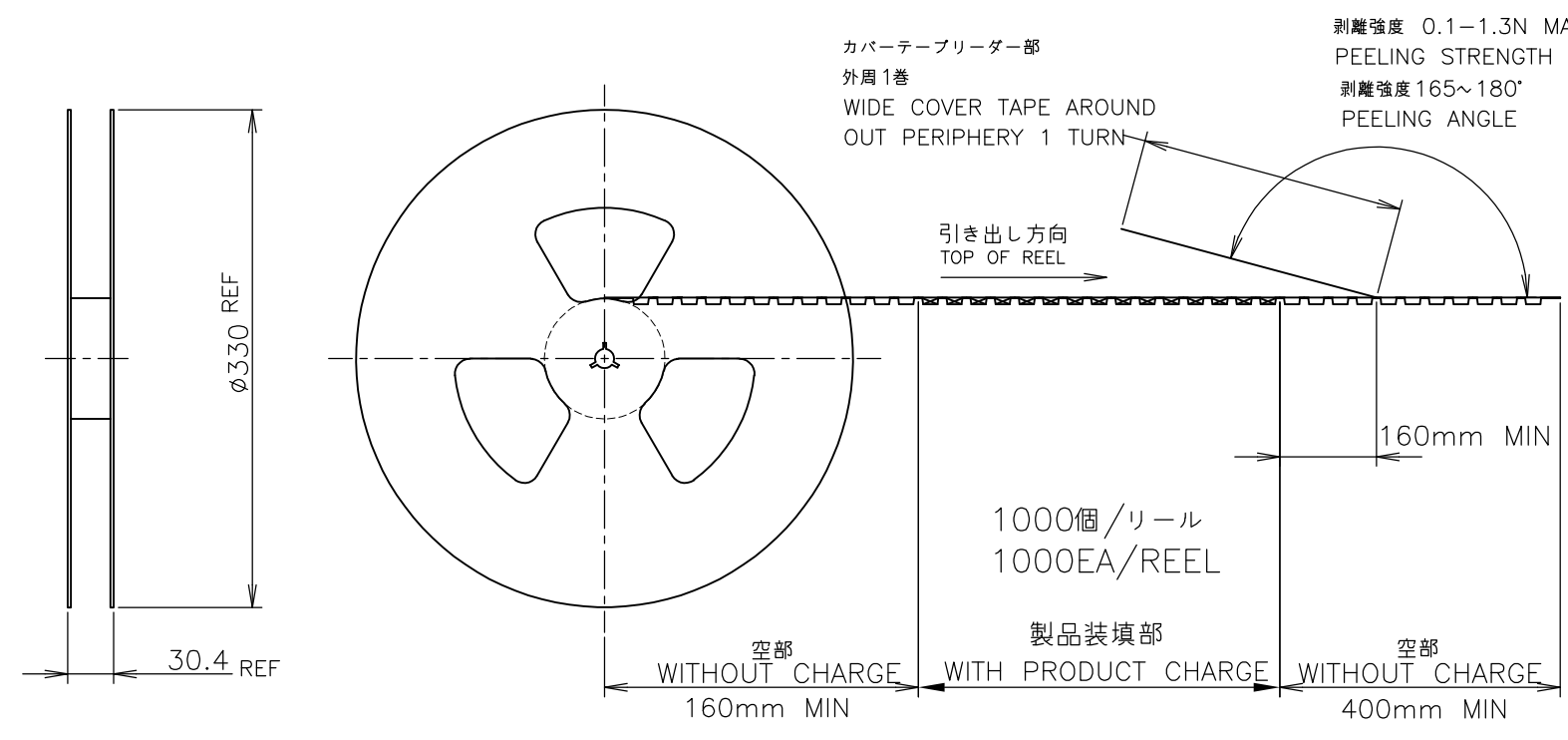
- 1 GENERAL TOLERANCE: ±0.3
- 2 CONTACT TINE COPLANALITY; 0.08mm MAX
- ③ MATERIAL HOUSING: THERMO PLASTIC RESIN
CONTACT: COPPER ALLOY
SHELL: STAINLESS STEEL
- ④ FINISH
CONTACT; Ni UNDER PLATING ALL OVER
Au PLATING ON SOLDERING AREA
Au PLATING ON CONTACT AREA
SHELL; Ni UNDER PLATING ALL OVER
Sn PLATING ALL OVER
- 5 PREVENTION OF WRENCHING
PLEASE HOLD THE TOP AND THE SIDE OF CONNECTOR BY THE CASE.
- 6 PREVENTION OF HITTING DURING PLUG INSERTION
PLEASE SET THE INSERTION GUIDE ALONG THE MATING SURFACE.
- △ LOGO MARK
- ⑧ DATE CODE: YYWWD
(YEAR, WEEK, DAY)
SLP1 (SHIFT, LINE, P1: REVISION CODE)



THIS DRAWING IS A CONTROLLED DOCUMENT.		DWN	C.OHASHI	25JUL2011	 TE Connectivity	MICRO USB CONNECTOR MID-MOUNT DIP, FLANGELESS REVERSE TYPE		
DIMENSIONS: 単位: 耗 mm		CHK	A.KUBO	25JUL2011		NAME	T.KUSUHARA	
TOLERANCES UNLESS OTHERWISE SPECIFIED: 一般公差		APVD	T.KUSUHARA	25JUL2011		PRODUCT SPEC	108-78434	
0 PLC ± 0.3 1 PLC ± 0.3 2 PLC ± 0.3 3 PLC ± 0.3 4 PLC ± 0.3 ANGLES ± 3°		APPLICATION SPEC	取付適用規格			SIZE	A3	CAGE CODE
MATERIAL 材料	③	FINISH 仕上	④	WEIGHT	DRAWING NO	G-2134441		
CUSTOMER DRAWING					RESTRICTED TO	-		
					SCALE	8:1	SHEET	1 OF 2
					REV	A		

THIS DRAWING IS UNPUBLISHED. RELEASED FOR PUBLICATION JUL ,2011.
 © COPYRIGHT 2011 By Tyco Electronics Japan G.K. ALL RIGHTS RESERVED.

LOC	DIST	REVISIONS		
J	/	P	LTR	DESCRIPTION
				DATE
				DWN
				APVD
				—
				—
				—



THIS DRAWING IS A CONTROLLED DOCUMENT.		DWN	STE TE Connectivity	
DIMENSIONS: 単位: 耗 mm		CHK		
TOLERANCES UNLESS OTHERWISE SPECIFIED: 一般公差		APVD	NAME 名称	
0 PLC ± 0.3		PRODUCT SPEC 製品規格	MICRO USB CONNECTOR MID-MOUNT DIP, FLANGELESS REVERSE TYPE	
1 PLC ± 0.3		APPLICATION SPEC 取付適用規格	SIZE	CAGE CODE
2 PLC ± 0.3		WEIGHT	A3	00779
3 PLC ± 0.3			DRAWING NO 番号	RESTRICTED TO
4 PLC ± 0.3			G-2134441	—
ANGLES ± 3°				
MATERIAL 材料	FINISH 仕上	CUSTOMER DRAWING		SCALE 尺度 NTS
		SHEET	2 OF 2	REV A

X-ON Electronics

Largest Supplier of Electrical and Electronic Components

Click to view similar products for [USB Connectors](#) category:

Click to view products by [TE Connectivity](#) manufacturer:

Other Similar products are found below :

[950](#) [A-USB A-LP-SMT-C](#) [A-USB B-TOP-C](#) [MUSBA511N5](#) [MUSBD11135](#) [217450-1](#) [KMBVX-TH-5S-B30](#) [896-30-004-00-000000](#)
[KUSBX-AS2N-W](#) [KUSBX-SMT2AP1S-W30](#) [935](#) [957](#) [30-498-6](#) [SK-60A-2](#) [1734082-1](#) [CIR08AF-20-27S-F80-20](#) [CIR08F-20](#) [30-1574](#) [30-470](#) [30-489](#) [30-541](#) [30-572-3](#) [A-USB A-2P-C](#) [MIKROE-1451](#) [USBFTV2PEM2G](#) [USBFTVC6ZN](#) [USBFTVSCCG](#) [4689-1](#) [1-1734084-2](#)
[CIR08F-20-27P-F80-VO](#) [USBF21ZNSCC](#) [USBBFTV6ZC](#) [MUSBB151341](#) [10135326-001LF](#) [M9177/3-1](#) [USB-A-S-F-B-VT](#) [925](#) [4198](#) [690-024-633-031](#) [UB-20PMFP-LC7001](#) [USBFTVC6MRG](#) [UA-20BMFA-SL8001](#) [17-200011](#) [USBFTVC7ZC](#) [UB-20AFMM-LL7A01](#)
[USBFTVC2MN](#) [CAP-WCCMLPB1](#) [CAP-WCCMLPC1](#) [2041386-1](#) [2274475-3](#)