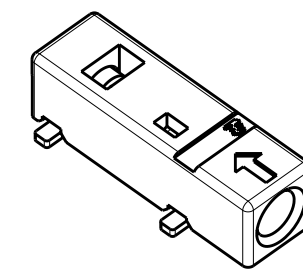
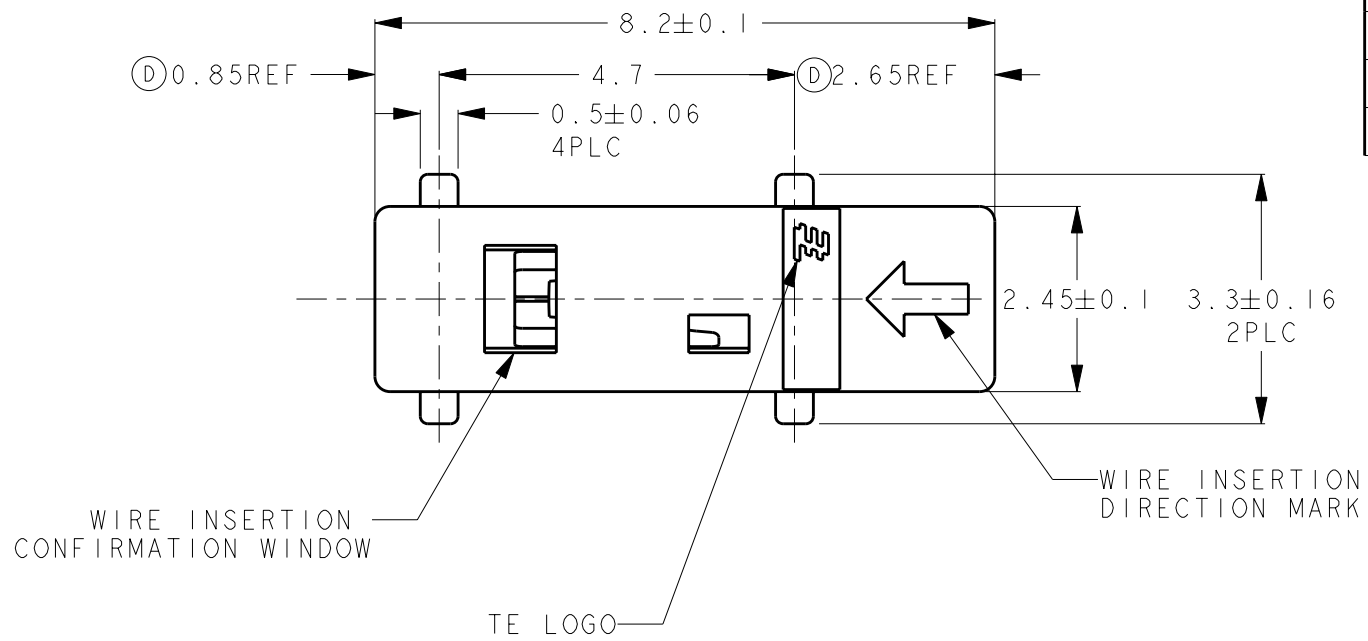
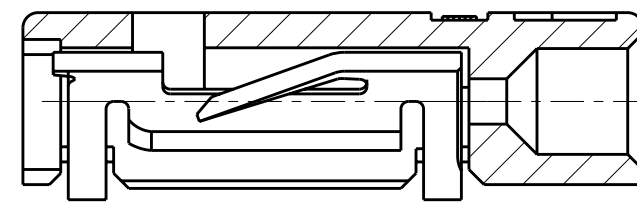
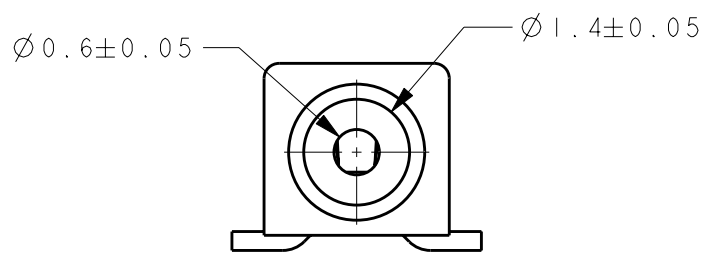
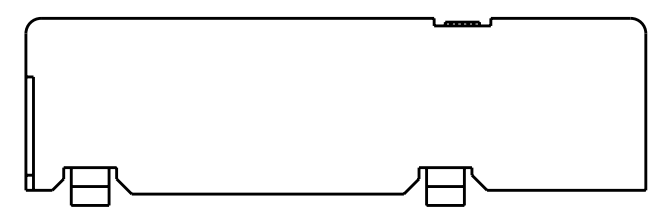
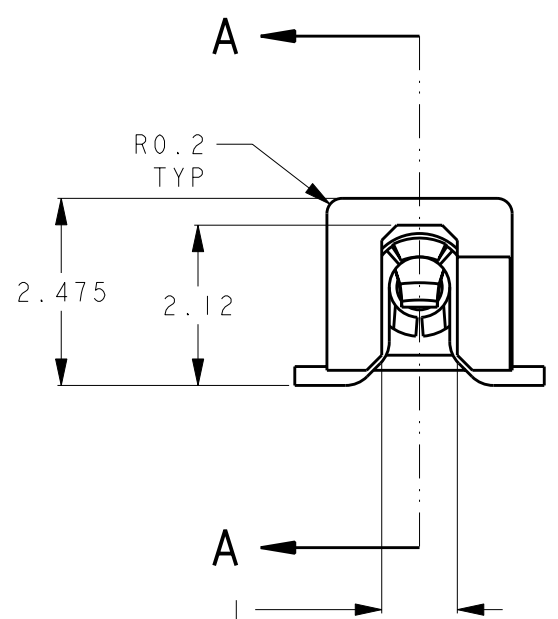


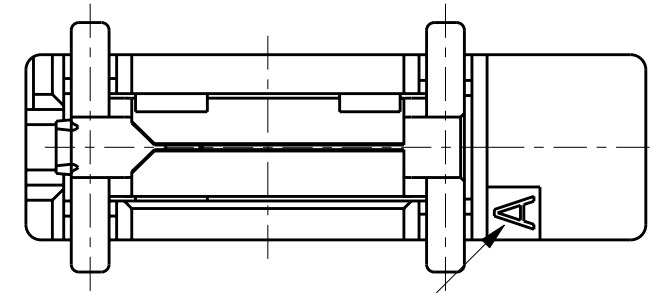
LOC	DIST	REVISIONS			
P	LTR	DESCRIPTION	DATE	DWN	APVD
J	-	C	REVISED	11MAY2011	T.N E.T
		D	REVISED	19JUL2011	T.N N.Y
		E	REVISED	27DEC2011	T.N N.Y
		F	REVISED	04JUL2012	H.M N.Y



SCALE 5:1



A - A



- ① APPLICABLE WIRES: AWG#24 SOLID TIN COATING
AWG#26 SOLID TIN COATING
- ② ABOUT HSG VISUAL STANDARD : TO CONFORM TYCO ELECTRONICS JAPAN G.K. INTERNAL RULE.
- ③ MATERIAL
-HOUSING : LCP UL94V-0,
COLOR : NATURAL
-CONTACT : COPPER ALLOY, TIN PLATED ALL OVER UNDER NICKEL PLATED.
- ④ COPLANARITY : 0.1mmMAX(INITIAL).
- ⑤ REFERENTIAL VACUUM AREA:SEE FIG 4
- ⑥ REFER FIG.1 AS DATE CODE MARKING POSITION AND AREA.
DATE CODE IS MARKED AT ONE SURFACE OR SEVERAL SURFACE.
- ⑦ UL FILE NO. : E28476

THIS DRAWING IS A CONTROLLED DOCUMENT.		DWN T. NAGASAKI 16JUL2010	TE Connectivity	
DIMENSIONS: mm		CHK E. TAKEMASA 16JUL2010		
TOLERANCES UNLESS OTHERWISE SPECIFIED: ±0.2		APVD E. TAKEMASA 16JUL2010	NAME MICRO POKE IN IP ASSEMBLY	
0 PLC ± 1 PLC ± 2 PLC ± 3 PLC ± 4 PLC ± ANGLES ±3°		PRODUCT SPEC 108-78810	RESTRICTED TO	
MATERIAL		APPLICATION SPEC 114-5482	SIZE A300779	DRAWING NO C-2134611
FINISH		WEIGHT 0.0827g	SCALE 10:1	SHEET 1 OF 3
		CUSTOMER DRAWING	REV F	

4

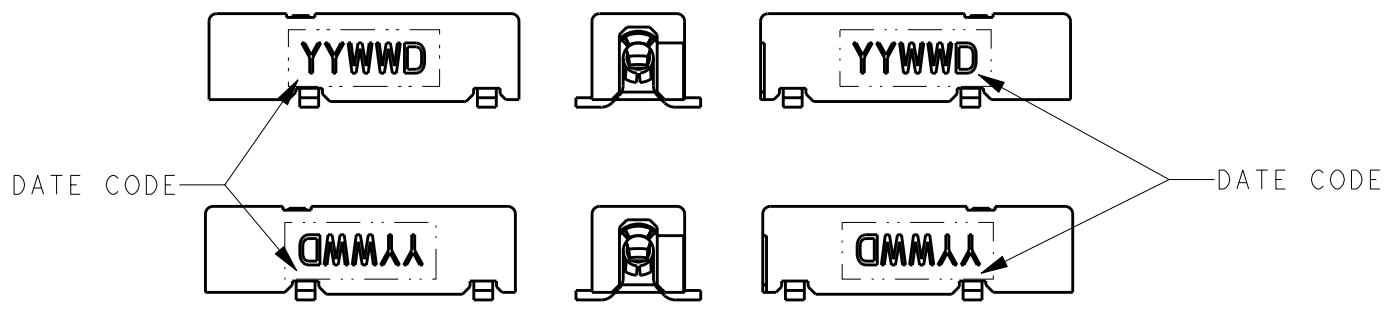
3

2

1

THIS DRAWING IS UNPUBLISHED. RELEASED FOR PUBLICATION 20
 © COPYRIGHT 20 BY - ALL RIGHTS RESERVED.

LOC	DIST	REVISIONS					
		P	LTR	DESCRIPTION	DATE	DWN	APVD
J	-			SEE SHEET 1	-	-	-



③ 6 FIG. 1 DATE CODE MARKING POSITION AND AREA

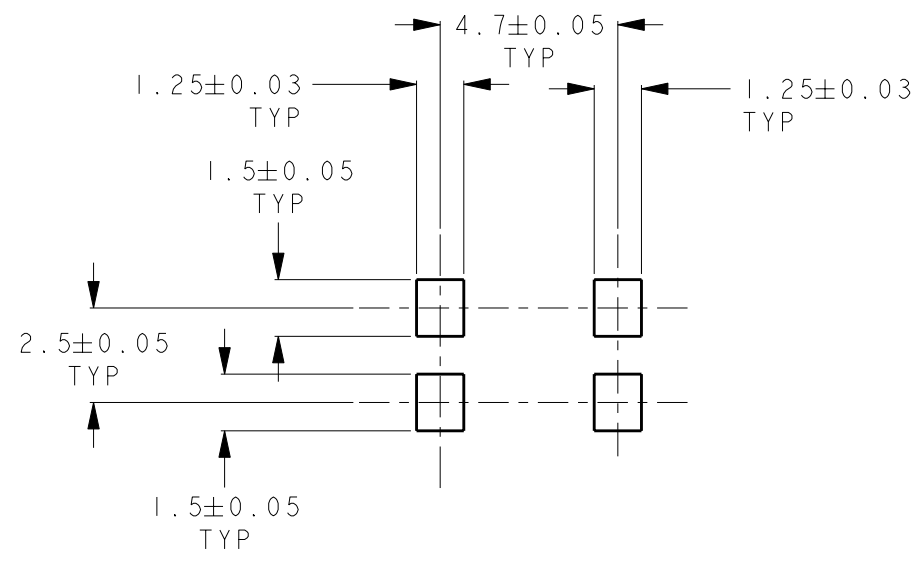


FIG. 2 REFERENTIAL P.C.B LAYOUT

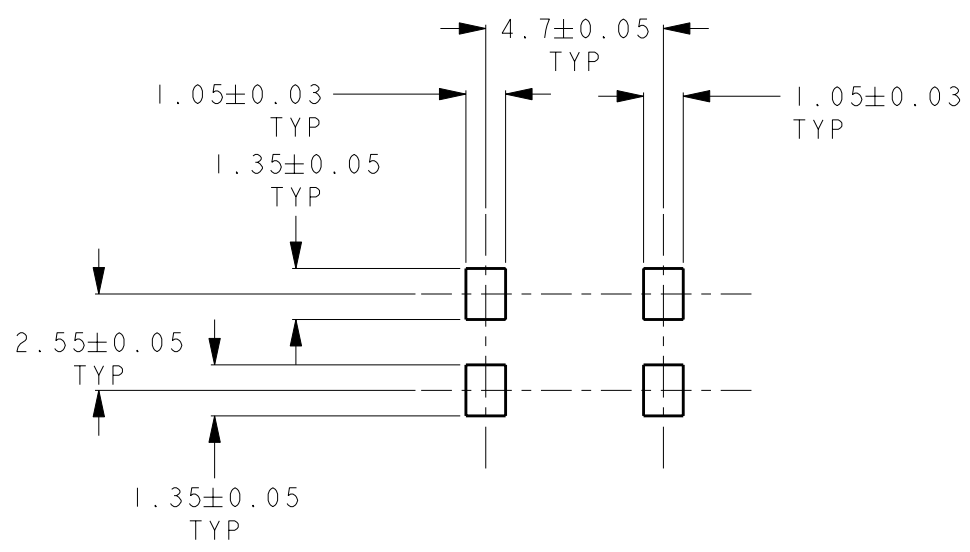


FIG. 3 REFERENTIAL METAL MASK PAD OPENING
 REFERENTIAL METAL MASK THICKNESS IS 0.15mm

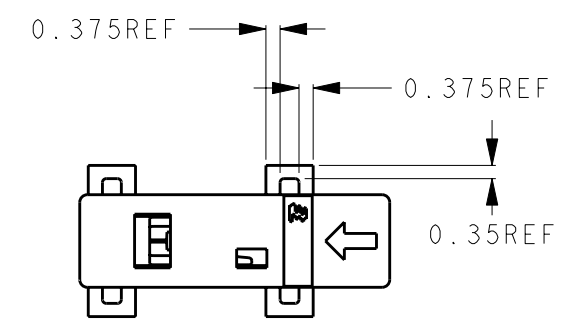


FIG. 5 REFERENTIAL CONNECTOR PLACEMENT

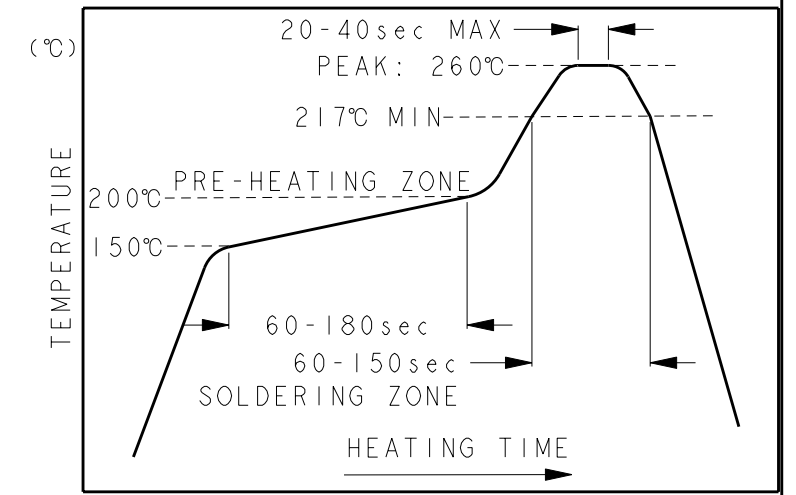
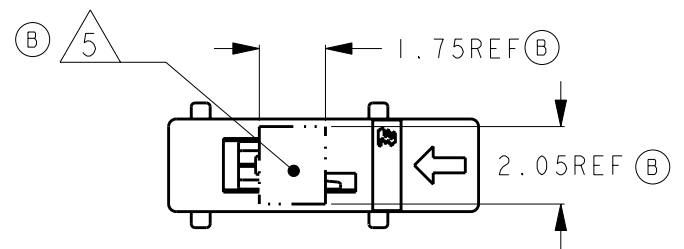


FIG. 6 REFERENTIAL REFLOW TEMPERATURE PROFILE
 (BASED ON IPC/JEDEC J-STD-020C)



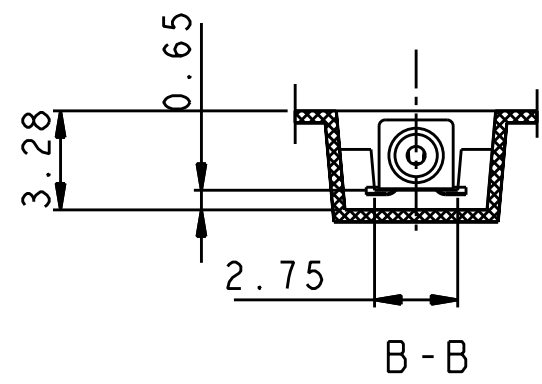
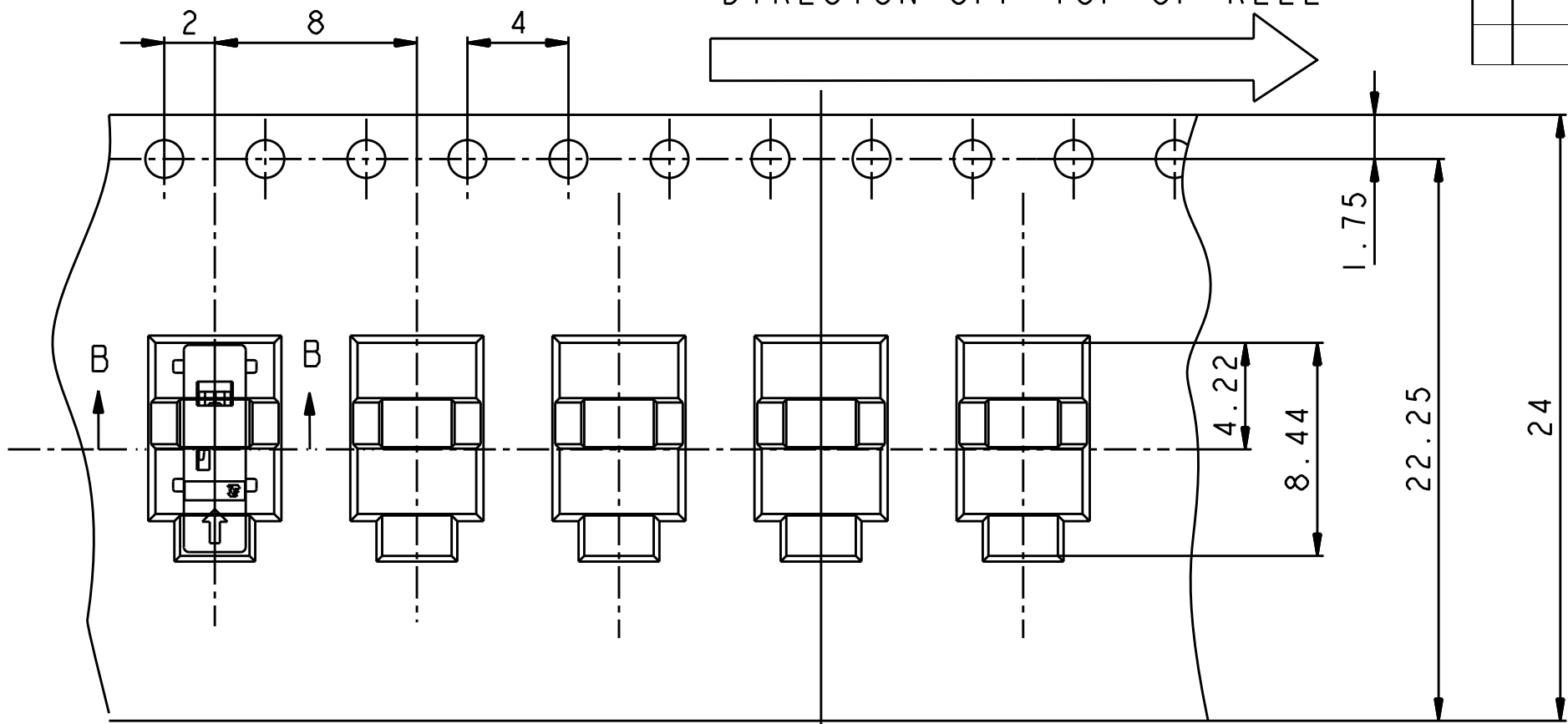
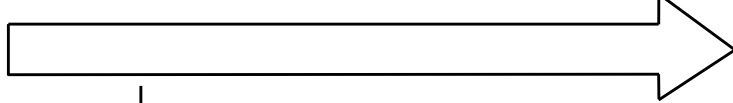
③ 5 FIG. 4 REFERENTIAL VACUUM AREA

THIS DRAWING IS A CONTROLLED DOCUMENT.		DWN	TE Connectivity	
DIMENSIONS: mm		CHK		
TOLERANCES UNLESS OTHERWISE SPECIFIED: ±0.2		APVD	NAME	
0 PLC ±		PRODUCT SPEC	MICRO POKE IN IP ASSEMBLY	
1 PLC ±		APPLICATION SPEC	SIZE	CAGE CODE
2 PLC ±		WEIGHT	A3	00779
3 PLC ±		CUSTOMER DRAWING	DRAWING NO	C-2134611
4 PLC ±		SCALE	5:1	SHEET 2 OF 3
ANGLES ±3°		REV	F	RESTRICTED TO
FINISH		-		

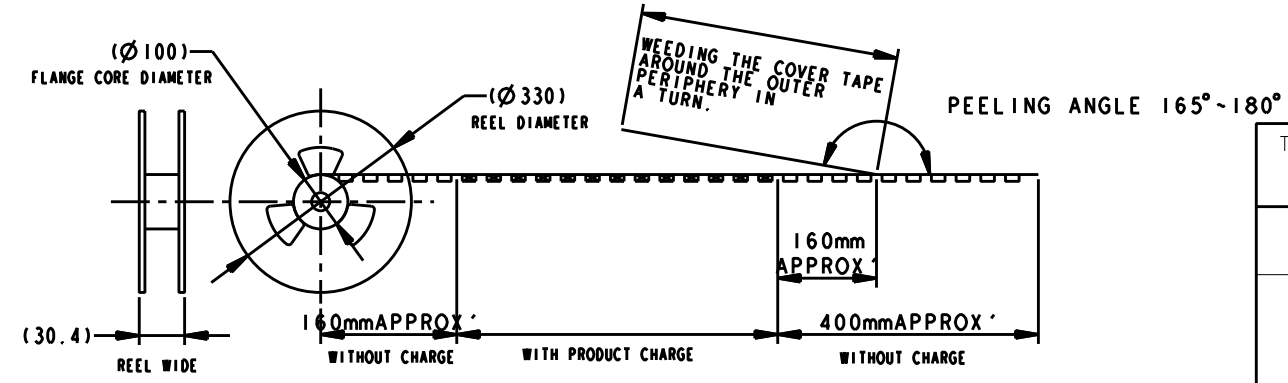
THIS DRAWING IS UNPUBLISHED. RELEASED FOR PUBLICATION 20
 © COPYRIGHT 20 BY - ALL RIGHTS RESERVED.

LOC	DIST	REVISIONS			
P	LTR	DESCRIPTION	DATE	DWN	APVD
J	-	SEE SHEET 1	-	-	-

DIRECTON OFF TOP OF REEL



- (APPLIED TO SHEET 3)
- 1. THE DIRECTION OF EACH CONNECTOR ON AN EMBOSS IS REFERRED TO THIS DRAWING.
 - ⓑ 2. REEL CONFIGURATION AND DIMENSIONS PER EIA 481-D
 - Ⓕ 3. EMBOSS TAPE COLOR : CLEAR



THIS DRAWING IS A CONTROLLED DOCUMENT.		DWN		TE Connectivity NAME MICRO POKE IN IP ASSEMBLY	
DIMENSIONS: mm		CHK			
TOLERANCES UNLESS OTHERWISE SPECIFIED:		APVD			
0 PLC ±0.5 1 PLC ±0.5 2 PLC ±0.5 3 PLC ±0.5 4 PLC ±0.5 ANGLES ±30°		PRODUCT SPEC			
MATERIAL		FINISH		APPLICATION SPEC	
-		-		SIZE	
-		-		CAGE CODE	
-		-		DRAWING NO	
-		-		RESTRICTED TO	
-		-		A300779	
-		-		C-2134611	
CUSTOMER DRAWING		SCALE		SHEET 3 OF 3	
-		NTS		REV F	

X-ON Electronics

Largest Supplier of Electrical and Electronic Components

Click to view similar products for [Lighting Connectors](#) category:

Click to view products by [TE Connectivity](#) manufacturer:

Other Similar products are found below :

[293300-7](#) [293660-5](#) [CNX_H03_NTP](#) [30-9767-BU](#) [3605](#) [3-21030-1](#) [ZCH-110-RGB-I](#) [503471-0290](#) [ZCH-110-RGB-J](#) [217-0716-200](#)
[1954563-1](#) [1-293657-2](#) [2834036-1](#) [2834037-1](#) [1-2213222-4](#) [2-2213222-4](#) [2213222-4](#) [2834122-3](#) [2834122-5](#) [2834135-2](#) [FLA-R4142-30](#)
[FLA-R4162-30](#) [FLA-R2142-30](#) [FLA-R2141-30](#) [FLA-R2162-30](#) [FLA-R2161-30](#) [FLA-R0161-30](#) [FLA-R0141-30](#) [FLA-R0142-30](#) [FLA-](#)
[R0162-30](#) [FLA-C00-00](#) [DGA00010553](#) [CNXV04NTP](#) [104128-0610](#) [503485-0000 \(Cut Strip\)](#) [503485-0000 \(Loose Piece\)](#) [503485-0000](#)
[\(MINI Reel\)](#) [1-2834074-2](#) [1-2834074-3](#) [1357-AC PLUG W2C \(CHINA\)](#) [1357-AC PLUG W2 \(USA\)](#) [104266-0110](#) [2106212-1](#) [2-2834074-2](#)
[104266-0210](#) [293470-1](#) [293651-2](#) [293651-4](#) [1-2834006-2](#) [293651-1](#)