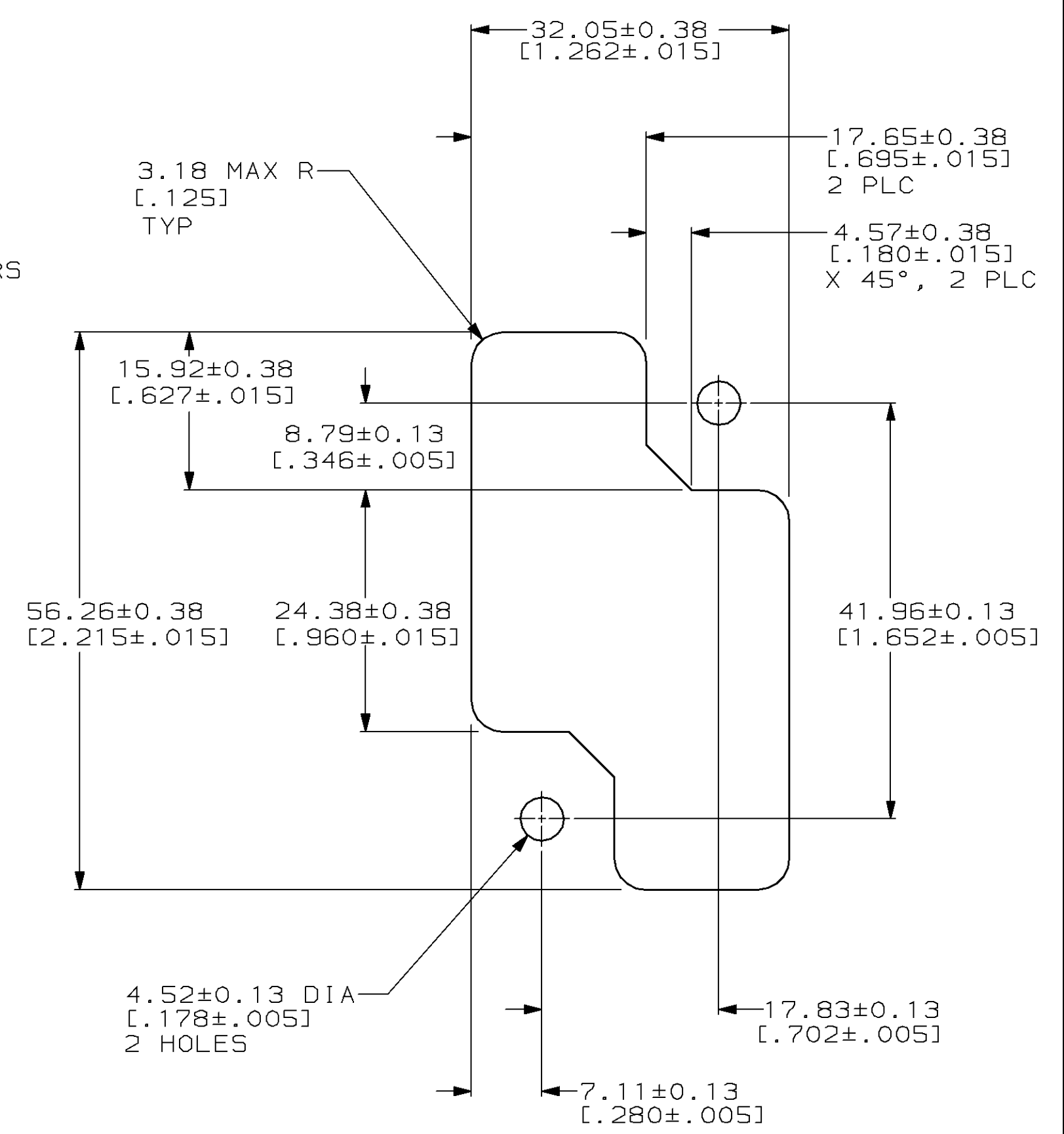
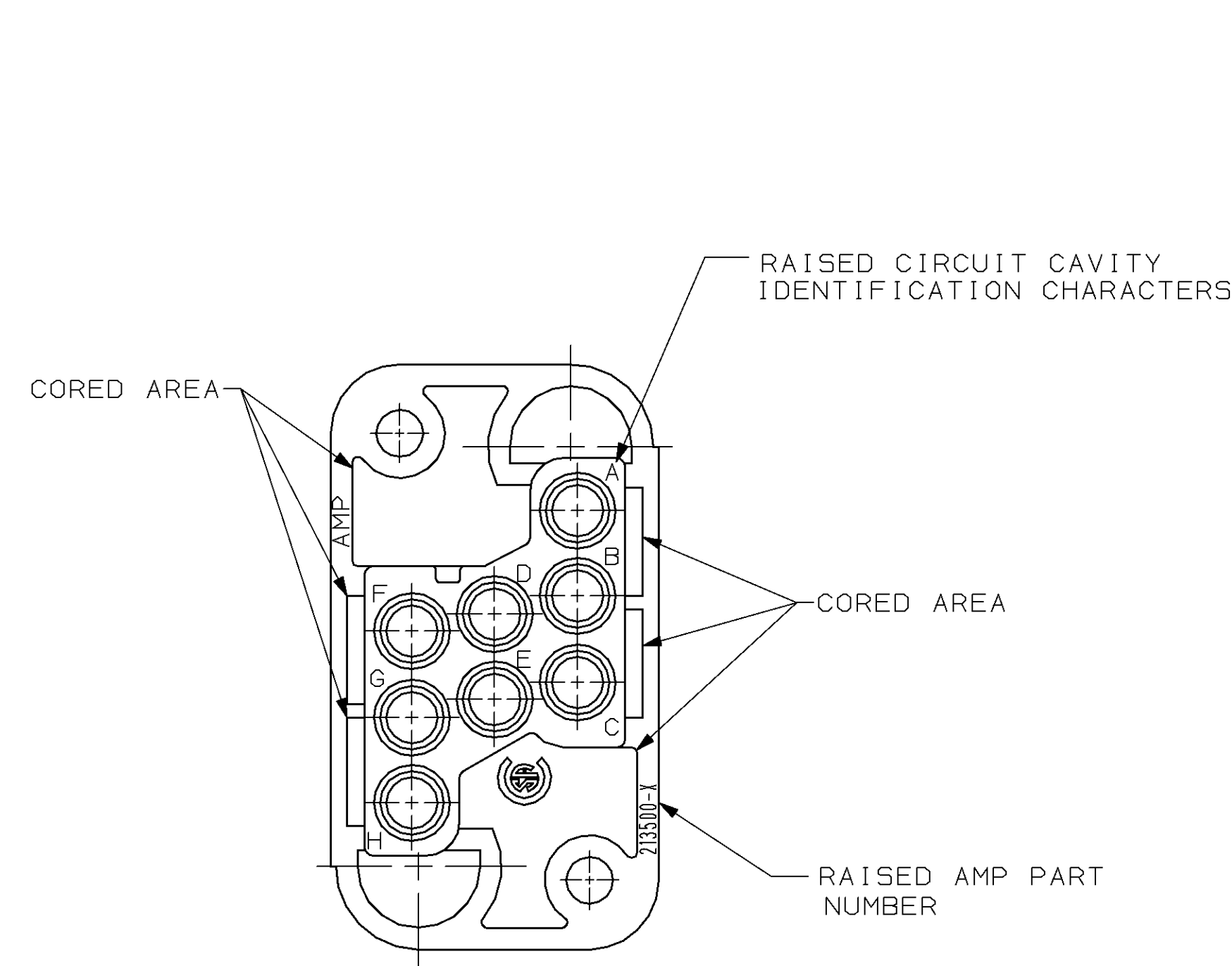
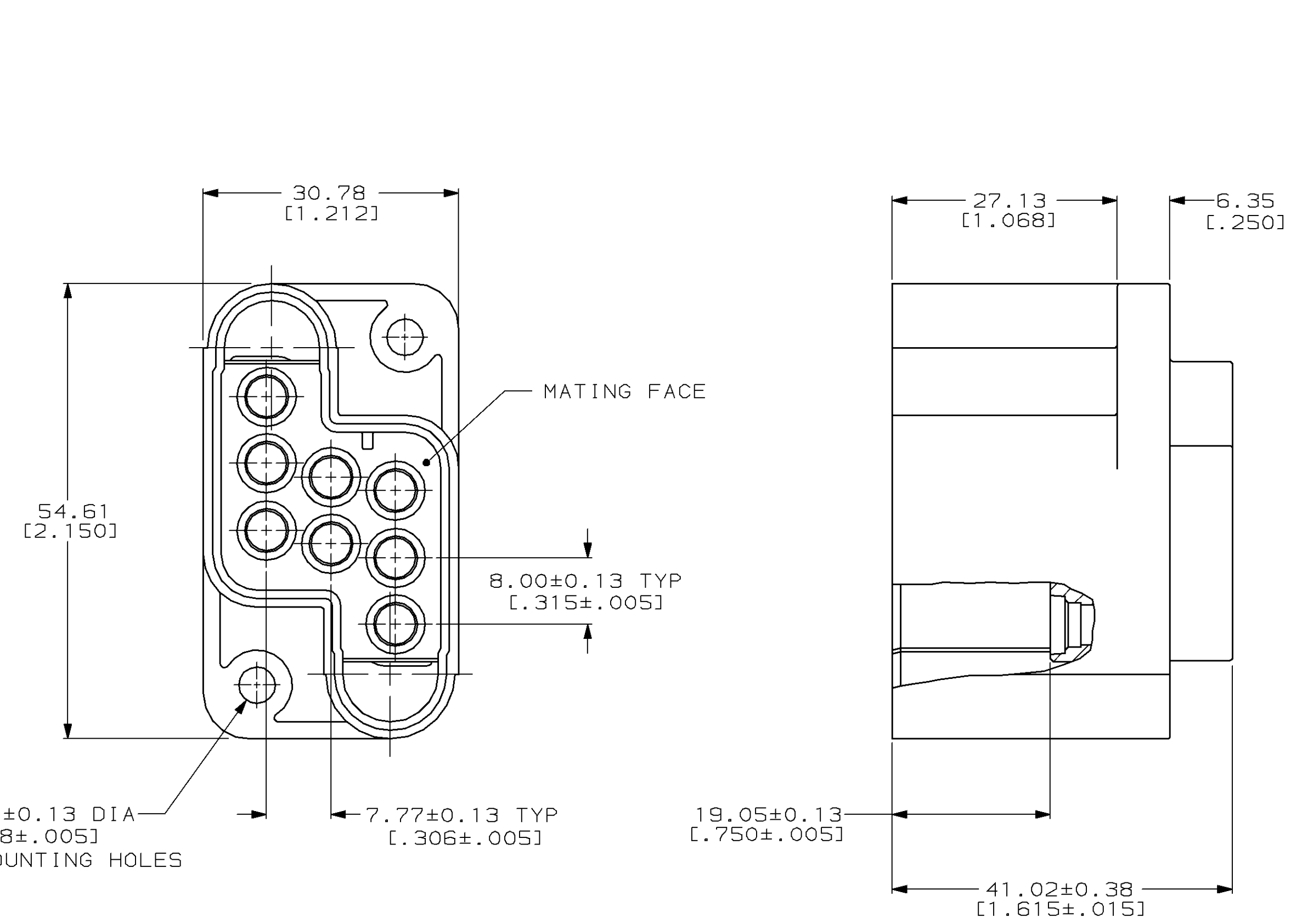


| REVISONS | | DATE | BY | APPV |
|----------|-------------------------|-----------|----|------|
| E | REV PER EC 0020-1422-94 | 06 MAR 96 | - | - |
| F | ADDED -3 | 06 MAR 96 | BC | MM |
| | PER EC 0020-136-96 | | | |



- THIS HOUSING ACCEPTS (8) POWER SIZE 8, POWERBAND, OR COAXIAL SIZE 8 PIN CONTACTS.
- DIMENSIONS IN BRACKETS ARE IN INCHES.

RECOMMENDED PANEL CUTOUT

| | |
|-------|----------|
| BLUE | 213500-3 |
| BLACK | 213500-1 |
| COLOR | PART NO |

| | | | |
|--|--------------|---|---|
| THIS DRAWING IS A CONTROLLED DOCUMENT. | | DMN S. CARRO 10-28-87 | AMP Incorporated Harrisburg, PA 17105-3608 |
| DIMENSIONS mm (INCHES) | | OK LARRY G. LAWYER 10-28-87 | |
| TOLERANCES UNLESS OTHERWISE SPECIFIED: | | APVD MICHAEL D. GALLOWAY 10-28-87 | |
| 0 PLC | ±- | PRODUCT SPEC | HOUSING, RECEPTACLE, DRAWER CONNECTOR, 8 POSITION, METRIMATE |
| 1 PLC | ±- | APPLICATION SPEC | |
| 2 PLC | ±0.25 (.010) | WEIGHT | |
| 3 PLC | ±- | CUSTOMER DRAWING | |
| 4 PLC | ±- | SCALE 2:1 | SHEET 1 OF 1 |
| ANGLES | ±0°30' | REV F | |
| FINISH | - | | |

X-ON Electronics

Largest Supplier of Electrical and Electronic Components

Click to view similar products for [Headers & Wire Housings](#) category:

Click to view products by [TE Connectivity](#) manufacturer:

Other Similar products are found below :

[892-18-020-10-001101](#) [58102-G61-06LF](#) [582553-1](#) [0009485154](#) [009176003701906](#) [0050291907](#) [LY20-4P-DT1-P1E-BR](#) [02.125.8002.8](#)
[609-3404](#) [61062-3](#) [61082-181009](#) [622-3653LF](#) [63453-116](#) [636-1030](#) [636-1427](#) [636-3427](#) [636-4007](#) [641938-9](#) [641991-4](#) [644827-2](#) [65817-](#)
[010LF](#) [65817-015LF](#) [65863-015LF](#) [66207-023LF](#) [67095-007LF](#) [67601157](#) [68645-018](#) [68648-049](#) [70.362.1628.0](#) [70-4210](#) [70-4226B](#) [70-](#)
[4853B](#) [707-5020](#) [707-5028](#) [71.350.2428.0](#) [71918-208LF](#) [71961-016LF](#) [733-134](#) [733-162](#) [754199-000](#) [760-3052](#) [787-8014-00](#) [79531-3000](#)
[FCN-360C032-B](#) [FCN-367T-T012/H](#) [FCN-723D010/2](#) [80.063.4001.1](#) [800-90-001-10-001000](#) [800-90-010-10-002000](#) [801-43-002-10-013000](#)