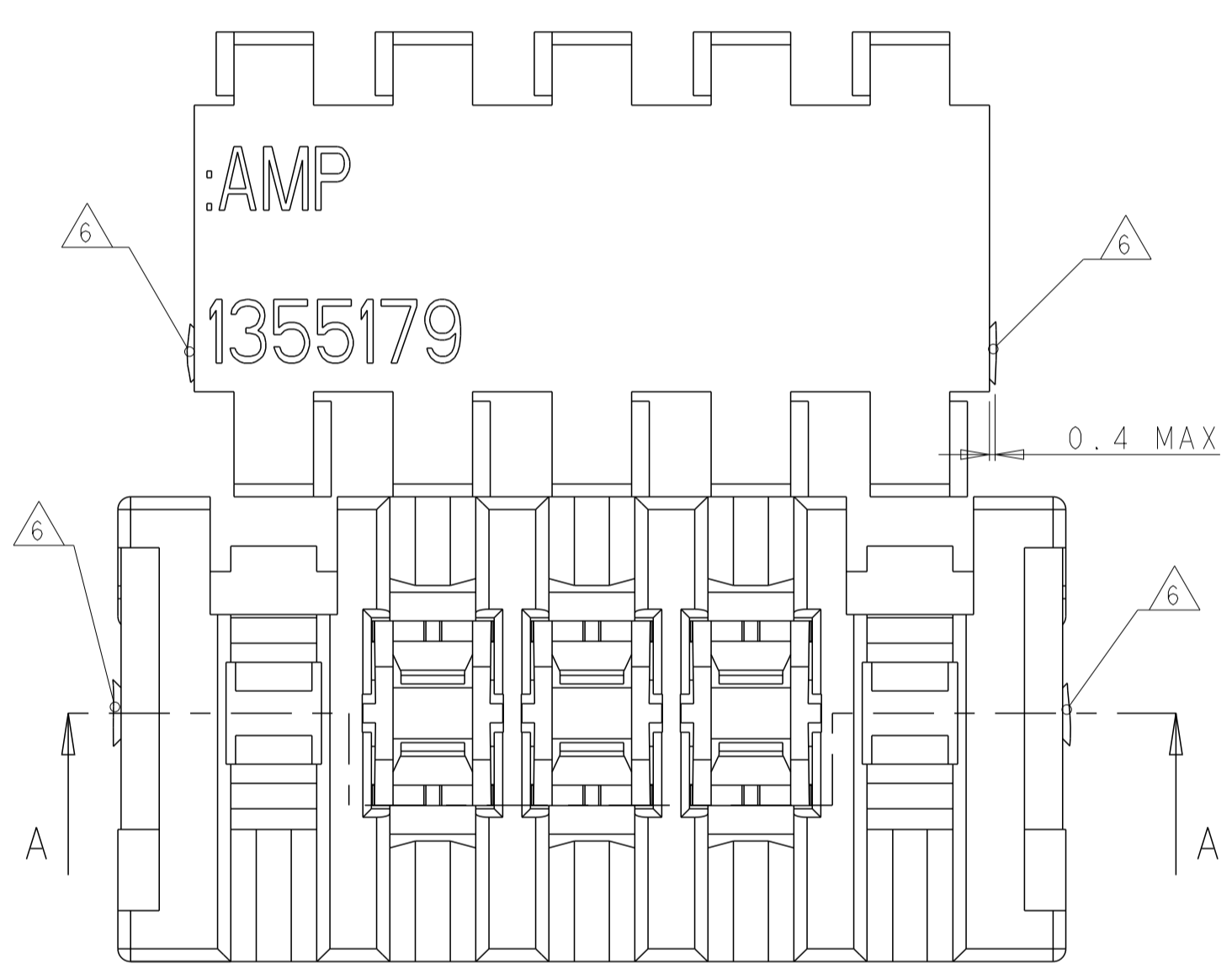
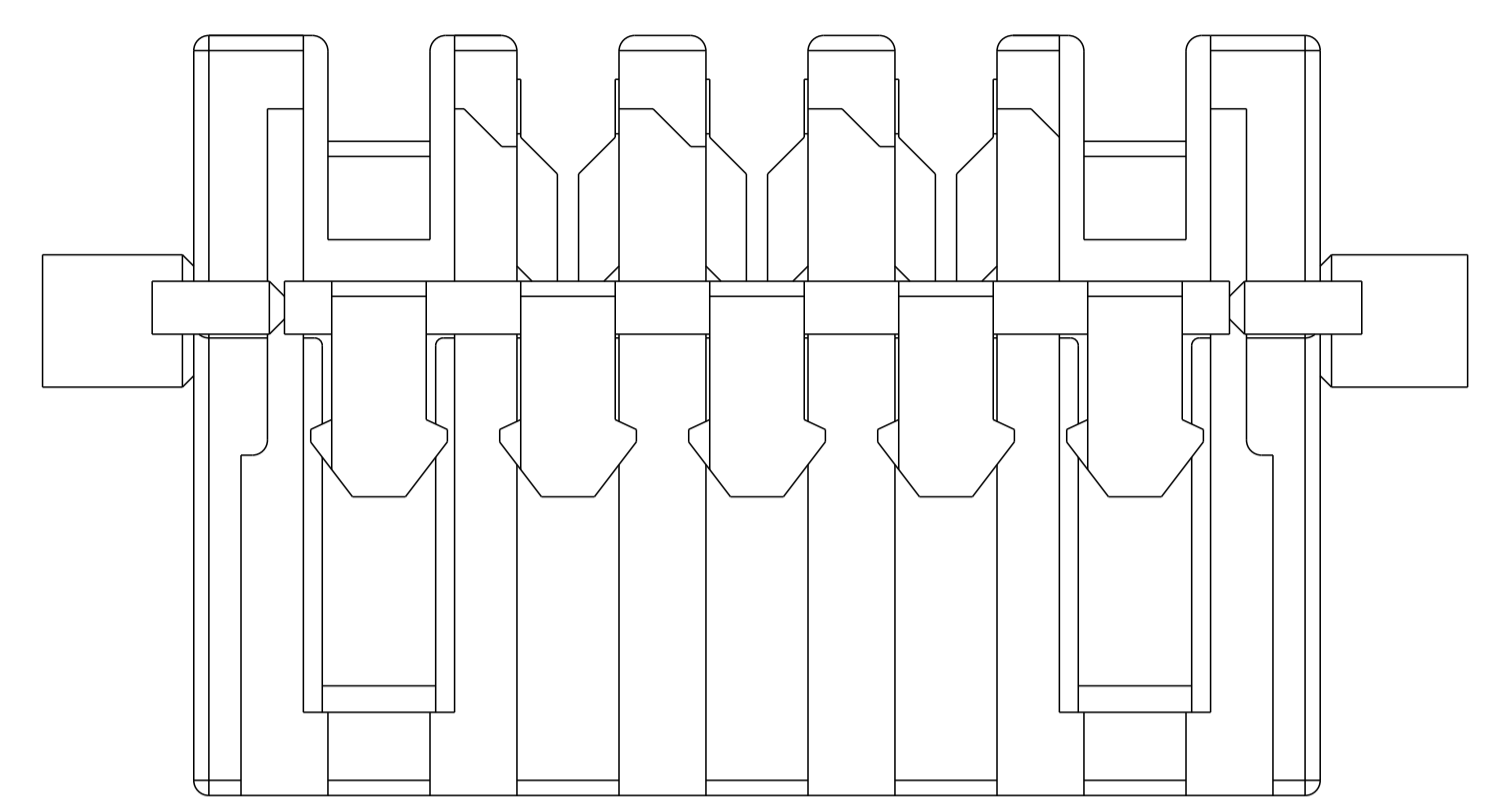
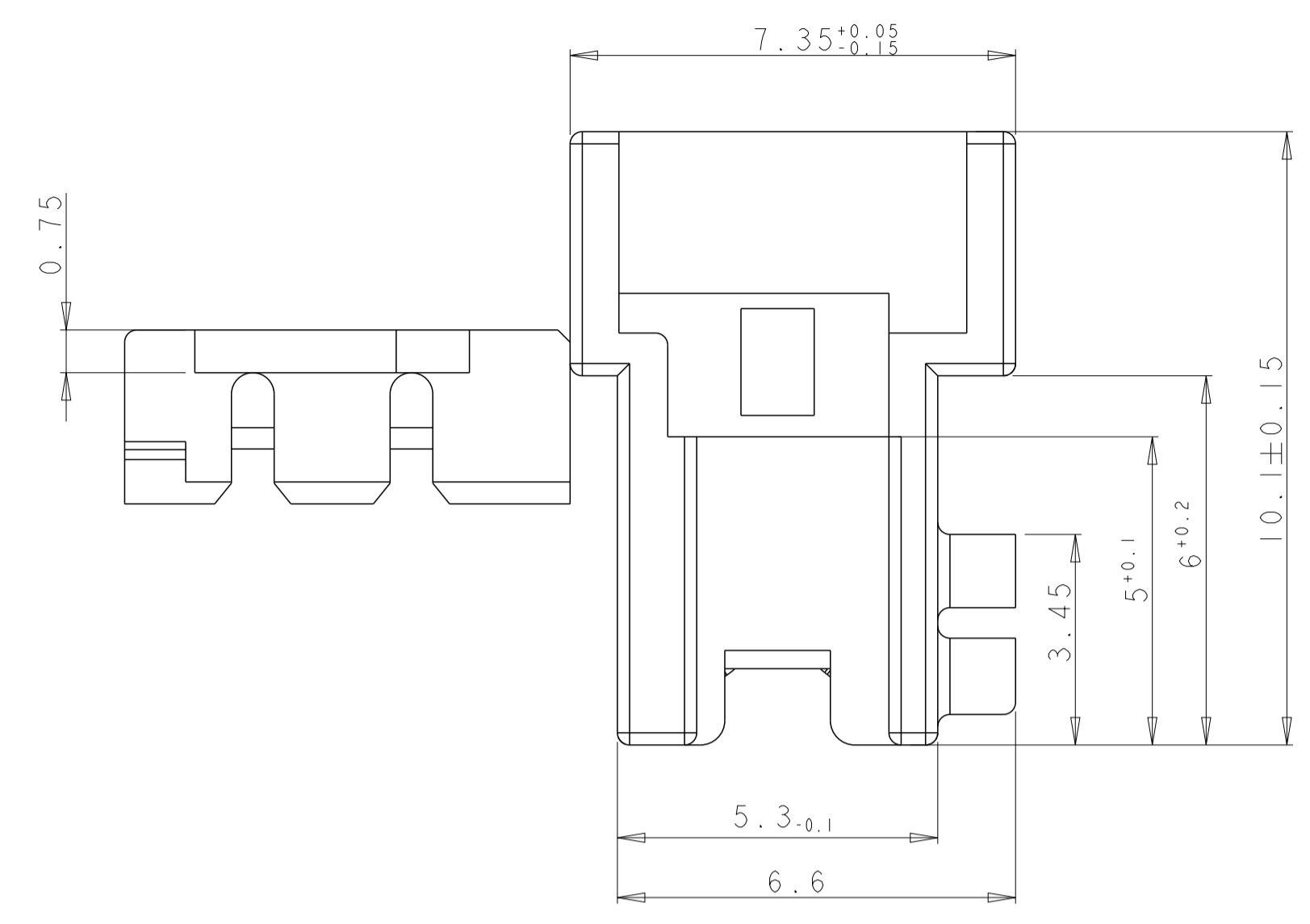
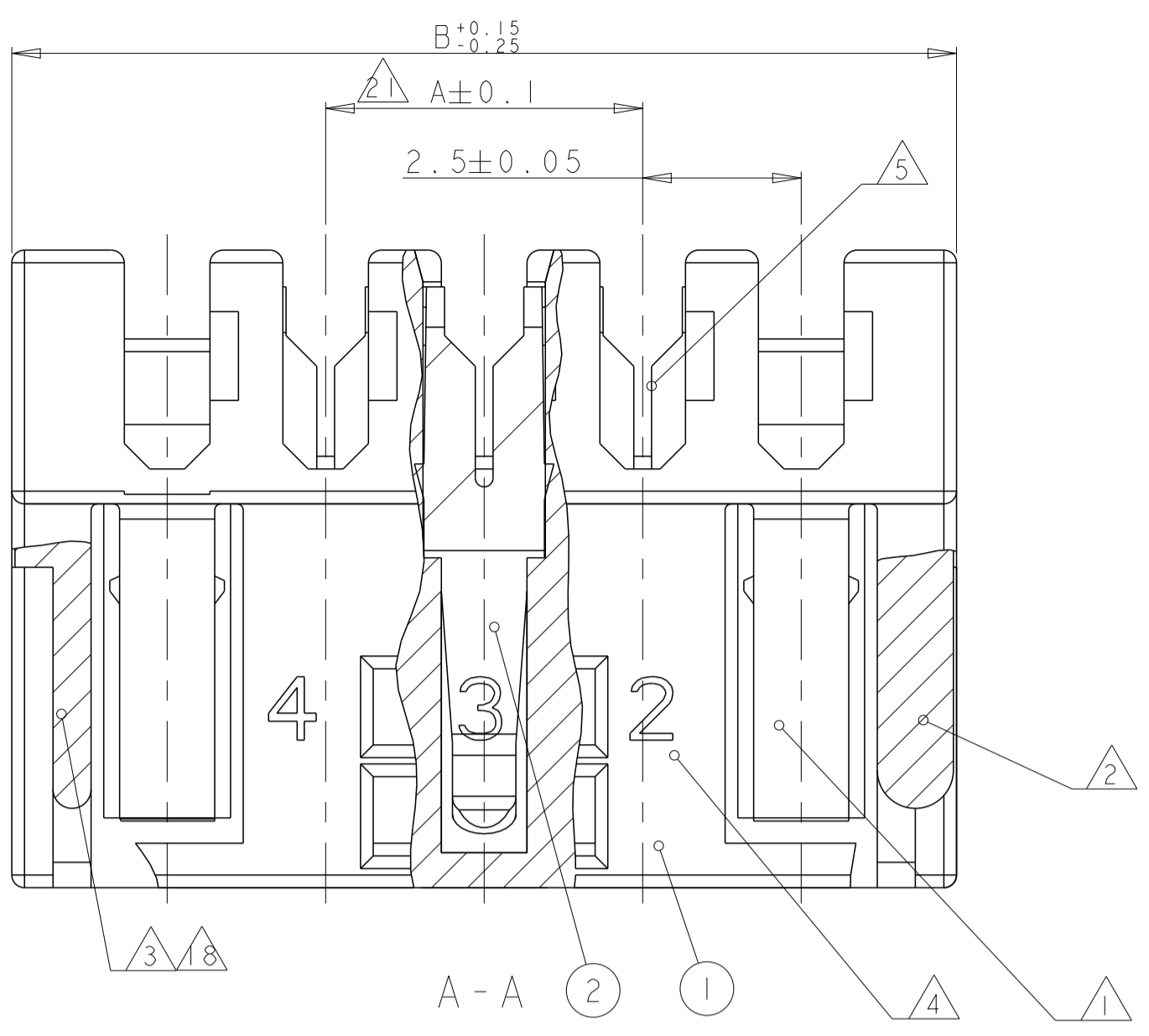
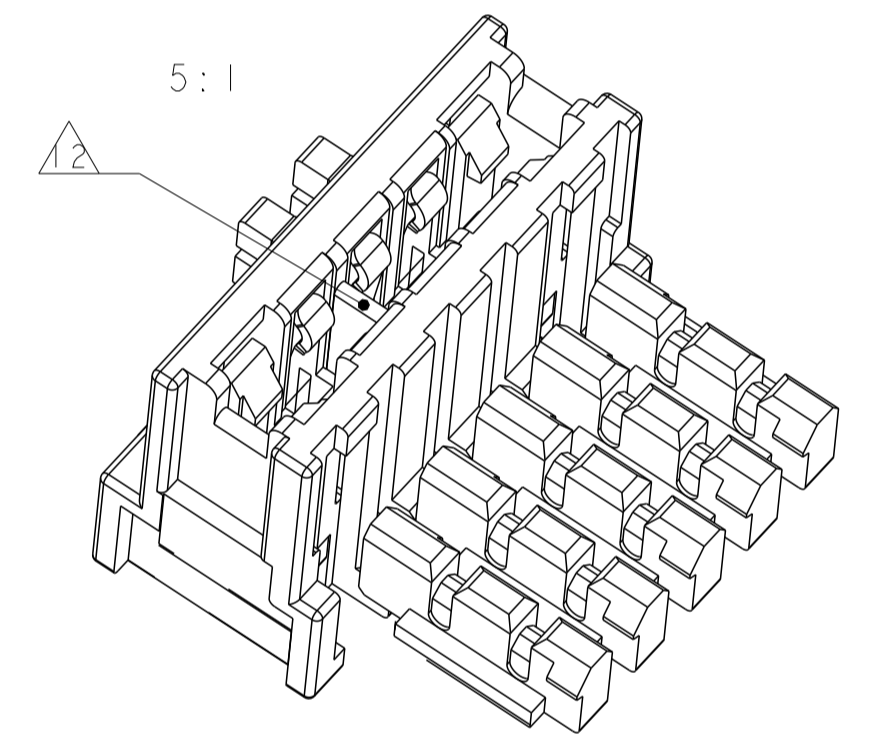


REVISIONS				
P.	LTN.	DESCRIPTION	DATE	APVD.
C6		ECR-16-017578	15DEC2016	KD RR
C7		REVISED PER ECR-18-016904	05NOV2018	BDA DC
C8		REVISED PER ECR-19-007333	09MAY2019	MG FL
D		REVISED PER ECR-19-015555	04NOV2019	KD FL



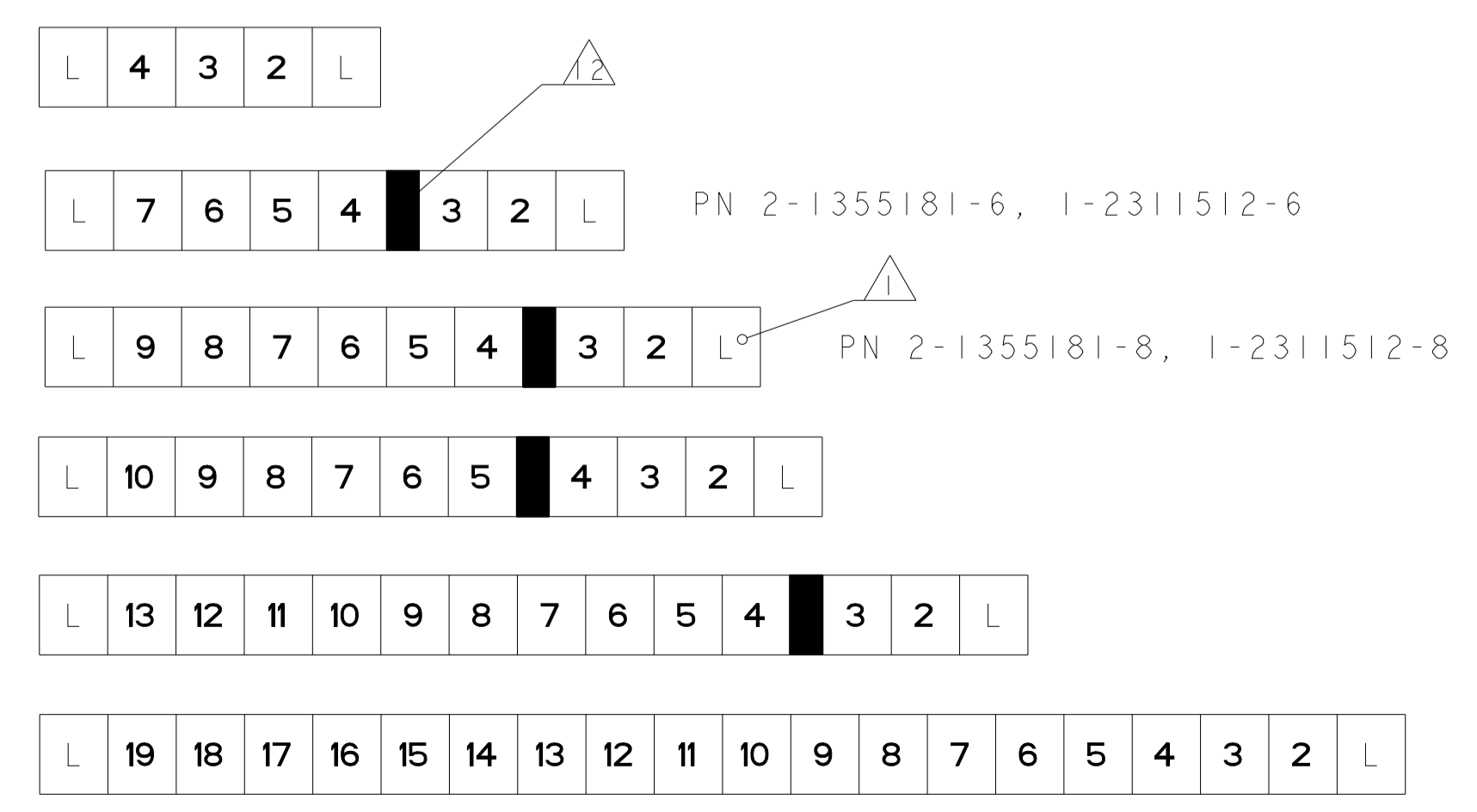
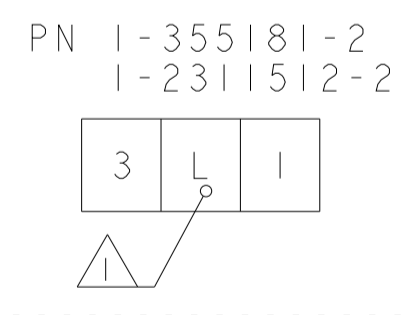
- △2 DIMENSION A BETWEEN FIRST AND LAST CONTACT
- △20 PBT GF, UL94-V0 & GWEPT 750 NO-FLAME
- △19 PBT GF
- △18 ONLY FOR 3-1355181-2 & 2311512-2, REMOVED THE POLARIZATION RIB ON THE LAST CAVITY
- △17 PRELIMINARY - NOT RELEASED FOR PRODUCTION
- △16 OBSOLETE PARTS: OBSOLETE CIS STREAMLINING PER D.RENAUD/D.SINISI
- △15 DIMENSION OF THE PADS ON BOTH SIDES OF THE SLOT (NOTE 13), MIRRORED Leiterbahnabmessung beidseitig vom Schlitz (Note 13), spiegelbildlich
- △14 DIMENSION IN BRACKET ONLY USED WITH AMP DUOPLUG 2.5 mm FEMALE CONNECTOR. Masse in Klammer nur geeignet fuer AMP DUOPLUG 2.5 mm Federleisten.
- △13 SLOT FOR ADDITIONAL KEYING RIB Schlitz fuer zusaetzliche Kodierrippe
- △12 ADDITIONAL KEYING RIB BETWEEN CAVITY NO. Zusaeztliche Kodierrippe zwischen Kammer Nr.
- △11 REDUCTION OF PAD WIDTH OF ALL PADS AS SHOWN IS POSSIBLE. Verjuengung aller Leiterbahnen wie dargestellt moeglich.
- △10 INCLUSIVE COPPER CLADDING: Inclusive Kupferkaschierung:
- △9 PCB PREFERABLY CHAMFERED. Leiterplatte vorzugsweise angefast.
- △8 SLOT FOR KEYING RIB. Schlitz fuer Kodierrippe.
- △7 SLOT FOR POLARIZATION RIB. Schlitz fuer Polarisierungsrippe.
- △6 CUTTING AREA FROM PRODUCING PROCESS. Schnittbereich durch Herstellungsprozess.
- △5 SLOT ACCEPT STRANDED WIRE 7x0.25mm=0.35mm<sup>2</sup>. SEE APPLICATION SPECIFICATION 114-18049. Schlitz geeignet fuer Leitungen 7x0.25mm=0.35mm<sup>2</sup>. Siehe Verarbeitungsanweisung 114-18049.
- △4 CAVITY NO. Kammer Nr.
- △3 POLARIZATION RIB Polarisierungsrippe
- △2 KEYING RIB Kodierrippe
- △1 LOCKING LATCH BEFORE FIRST AND AFTER LAST CAVITY (3-18 POSN.) AND ON MIDDLE CAVITY (2 POSN. ONLY) Rasthaken vor 1. Kammer und nach letzter Kammer (3-18 polig) und bei mittlerer Kammer (nur 2 polig)



**LOCKING AND KEYING PLAN**  
Rasthaken und Kodierschema

**SPECIAL VERSION 2 POSN.**  
Sondervariante 2 pol.

Variante  
3 pol. - 18 pol.

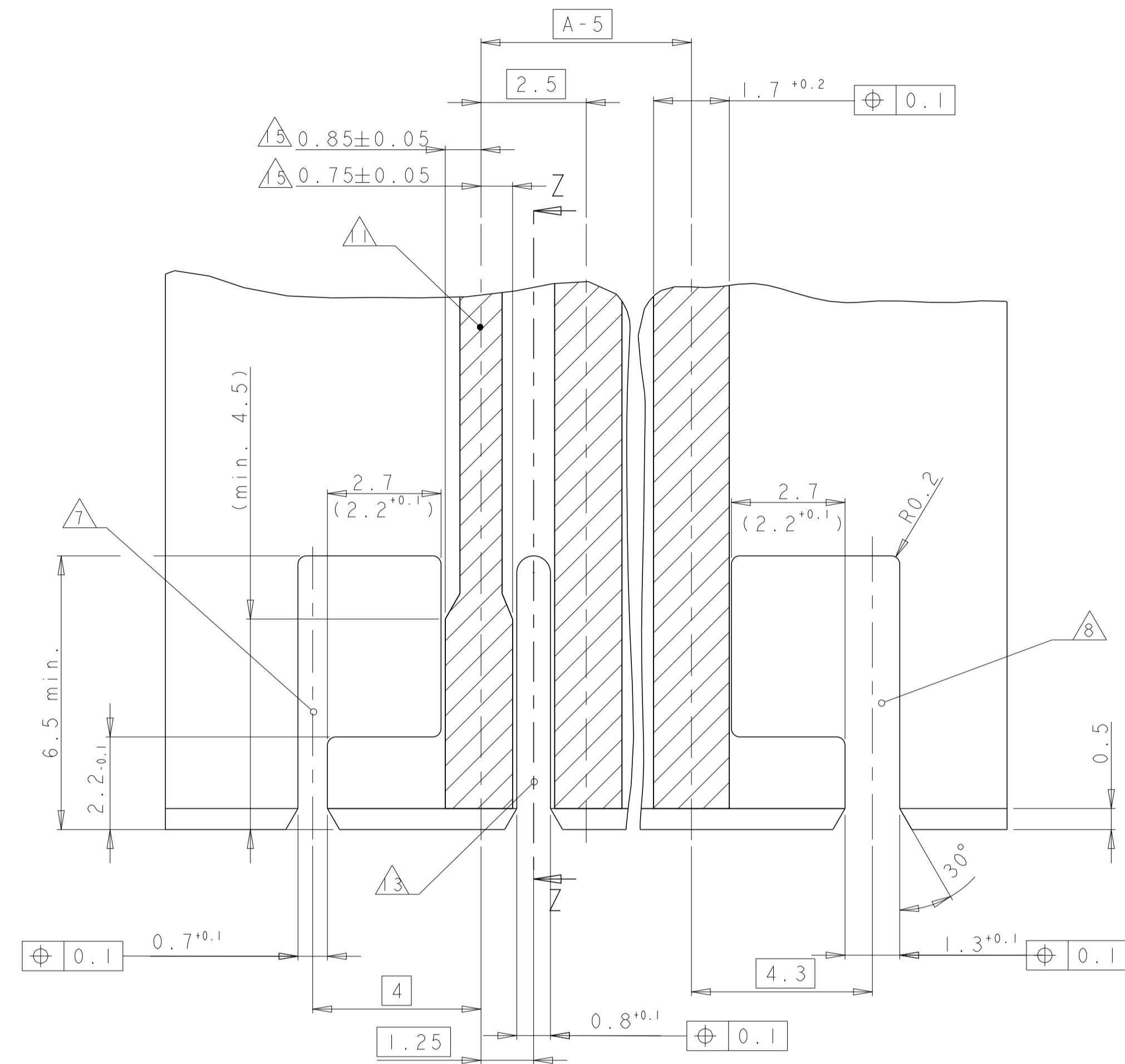


OBSOLETE	18	42.5	52.4	-	+1355182-8	-
OBSOLETE	17	40	49.9	-	+1355182-7	-
OBSOLETE	16	37.5	47.4	-	+1355182-6	-
OBSOLETE	15	35	44.9	-	+1355182-5	-
OBSOLETE	14	32.5	42.4	-	+1355182-4	-
OBSOLETE	13	30	39.9	-	+1355182-3	-
OBSOLETE	12	27.5	37.4	3+4	-2-1355182-2	-
OBSOLETE	11	25	34.9	-	+1355182-1	-
OBSOLETE	10	22.5	32.4	-	1-1355181-0	1-2311512-0
OBSOLETE	9	20	29.9	4+5	-2-1355181-9	-
	8	17.5	27.4	-	1-1355181-8	2311512-9
	7	15	24.9	-	1-1355181-7	1-2311512-8
	6	12.5	22.4	3+4	2-1355181-6	2311512-7
	5	10	19.9	-	1-1355181-6	1-2311512-6
	4	7.5	17.4	-	1-1355181-5	2311512-5
	3	5	14.9	-	1-1355181-4	2311512-4
	2	5	9.9	-	1-1355181-3	2311512-3
					△3-1355181-2	2311512-2
					1-1355181-2	1-2311512-1
POS. Polzahl	DIM A Mass A	DIM B Mass B	KEYING Kodierung	PART NUMBER	PART NUMBER	

SEE TABLE	2	CONTACT/Kontakt	CuSn	TINNED/vorverzinnt
Siehe Tabelle	1	HOUSING/Federleistengehaeuse	PBT	NATUR
PN Bestell-Nr.	POS.	NAME	MATERIAL	FINISH/Oberflaeche COLOR/Farbe

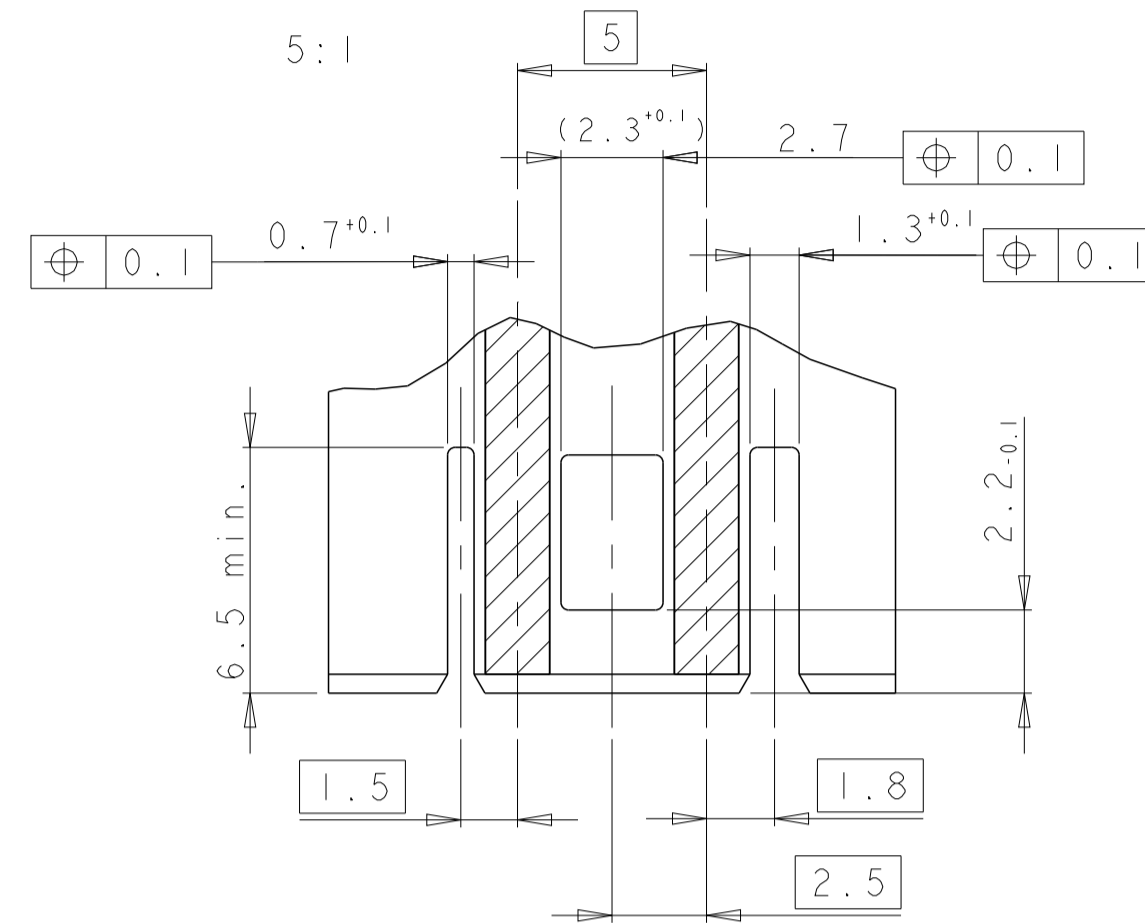
REVISIONS				
NO.	DATE	BY	CHKD.	APVD.
1				

### PCB LAYOUT Leiterplattenanschluss

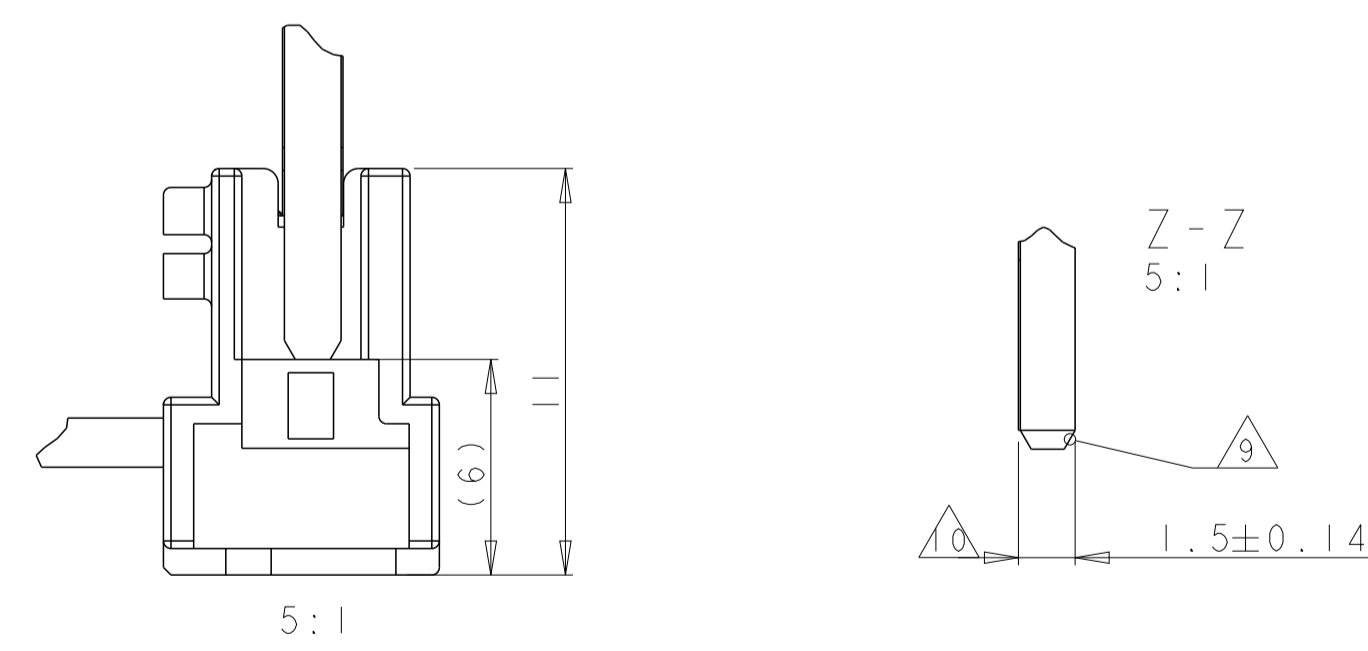
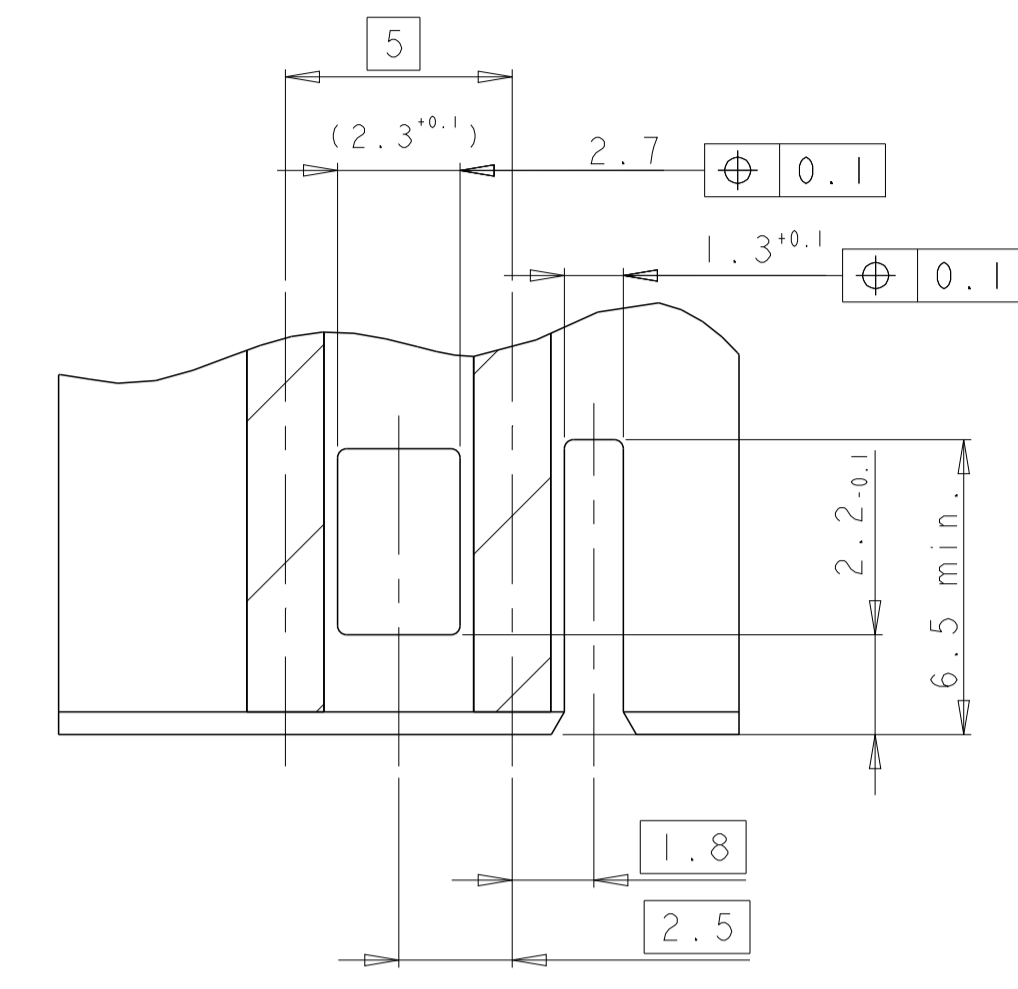



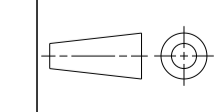
TOLERANCES UNLESS OTHERWISE SPEC.  $\pm 0.1$  mm  
Freimasstoleranz  $\pm 0.1$  mm

### SPECIAL VERSION 2 POSN. Sondervariante 2 pol.



### 3-1355181-2 , 2311512-2



THIS DRAWING IS A CONTROLLED DOCUMENT.		DWN Weber	16MRZ99	 TE Connectivity
		CHK Schnaubelt	06JUL99	
DIMENSIONS:		NAME		
mm		AMP DUOPLUG 2.5		
		PRODUCT SPEC		
0 PLC $\pm 0.2$ 1 PLC $\pm 0.2$ 2 PLC $\pm 0.2$ 3 PLC $\pm 0.2$ 4 PLC $\pm 0.2$ ANGLES $\pm 0.2$		APPLICATION SPEC		
MATERIAL		SIZE		
SEE TABLE		114-18049-1		
		WEIGHT		
		A100779 C=1355181		
		CUSTOMER DRAWING		
		SCALE		
		10:1		
		SHEET		
		2 OF 2		
		REV		
		D		

## X-ON Electronics

Largest Supplier of Electrical and Electronic Components

*Click to view similar products for [Automotive Connectors](#) category:*

*Click to view products by [TE Connectivity](#) manufacturer:*

Other Similar products are found below :

[003-018-000](#) [600858](#) [60403001](#) [60993906-B](#) [60993913-B](#) [629515004020001](#) [M83723/71R1808N L/C](#) [M902-2131](#) [M902-2161](#) [M902-2344](#)  
[72.330.1035.1](#) [73.353.4028.0](#) [F118010](#) [F119300-B](#) [F132210](#) [F166900](#) [F180100](#) [F258300](#) [F258300-B](#) [F294300-B](#) [F339100](#) [F339700](#)  
[F358300-B](#) [F374110](#) [F407400](#) [F412210](#) [F444110](#) [F487000](#) [F495100](#) [F500900-B](#) [F509500B-B](#) [770444-1](#) [827153-1](#) [881735-1](#)  
[8N1515-32-24P](#) [9-1326729-8](#) [925467-1](#) [925474-1](#) [928905-1](#) [936398-2](#) [964562-4](#) [964731-2](#) [968782-1](#) [GT17SA-8DS-HU](#) [GT17VS-10DP-](#)  
[5.2CF](#) [98315-0001](#) [98315-0010](#) [98891-1012](#) [98895-2014](#) [98936-1039](#)