

THIS DRAWING IS UNPUBLISHED.

RELEASED FOR PUBLICATION

LOC FT DIST 0

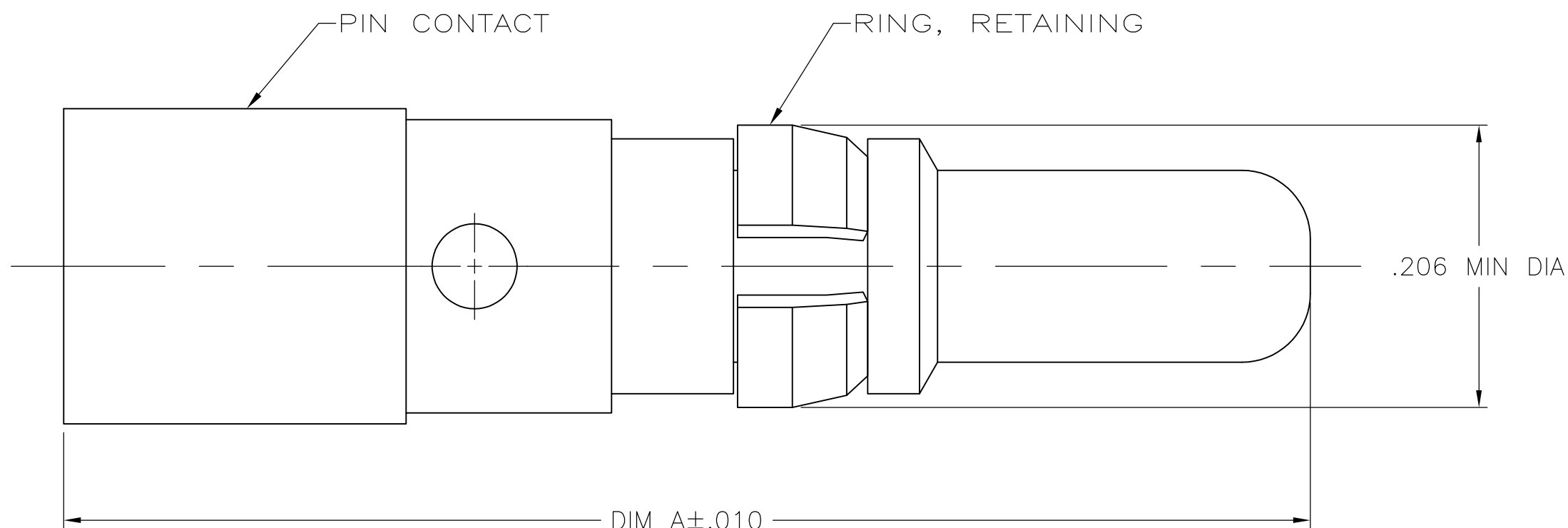
REVISIONS

© COPYRIGHT - By -

ALL RIGHTS RESERVED.

P	LTR	DESCRIPTION	DATE	DWN	APVD
	G1	REVISED PER ECO-13-009250	27JUN13	KH	MZ

- 1 WIRE BARREL WILL ACCEPT 8 AWG WIRE.
- 2 PLATED WITH .000200 MINIMUM SILVER OVER .000050 MINIMUM NICKEL.
- 3 PLATED WITH .000030 MINIMUM GOLD OVER .000050 MINIMUM NICKEL.
- 4 RETAINING RING: PHOSPHOR BRONZE
PIN CONTACT: BRASS
- 5 PLATED WITH .000100 MINIMUM NICKEL.



OBSOLETE	.950	3	213552-3
	.910	3	213552-2
OBSOLETE	-	2	213552-1
	DIM A	CONTACT FINISH	PART NO.

THIS DRAWING IS A CONTROLLED DOCUMENT.		DWN J LIPPERT 12-19-88	STE TE Connectivity		
DIMENSIONS: INCHES		CHK J McCLINTON 12-19-88			
TOLERANCES UNLESS OTHERWISE SPECIFIED:		APVD -	NAME		
0 PLC ± -		PRODUCT SPEC -	PIN CONTACT ASSEMBLY, POWER V111, METRIMATE		
1 PLC ± -		APPLICATION SPEC -	-		
2 PLC ± -		WEIGHT -	SIZE A3	CAGE CODE 00779	DRAWING NO C-213552
3 PLC ± .005		MATERIAL 4	RESTRICTED TO -		
4 PLC ± -			SCALE 10:1 SHEET 1 OF 1 REV G1		
ANGLES ± -		CUSTOMER DRAWING			
FINISH PIN CONTACT: SEE TABLE					
RETAINING RING: 5					

X-ON Electronics

Largest Supplier of Electrical and Electronic Components

Click to view similar products for [Standard Circular Contacts](#) category:

Click to view products by [TE Connectivity](#) manufacturer:

Other Similar products are found below :

[RC16M23J](#) [133780-1](#) [RM20M13D28](#) [RM24M9D28](#) [RMMX110-1D28](#) [MS3474W10-6P L/C](#) [ELVP16100E](#) [164-901-CD](#) [EN3545007SCE](#)
[BV002BSQ20049CZ](#) [BV002SSQ160404CZ](#) [1900ND05S1B00B](#) [SJS862201](#) [166566-1](#) [1900ND04S1X00D](#) [ST-JL05-16S-C3-100](#) [ST-JL05-20S-C1-100](#) [ST-JL05-20S-C2-100](#) [T01-CRIMP-S03](#) [APK-SA16A07-002](#) [27963-15T12](#) [CONT-JL05-08S-C2-10](#) [CONT-JL05-12S-C1-10](#)
[RC16M-23T](#) [RFD26L-1D28](#) [BV002ASJ16049CW](#) [JN1-22-20S-R-PKG100](#) [031-50213](#) [031-50565](#) [031-50794](#) [SJS861301M](#) [ST-JL05-16S-C1-100](#) [ST-JL05-20P-C1-100](#) [82911466K](#) [82911467NK](#) [192991-0087](#) [192900-0570](#) [T3P16FC3LZ](#) [ST-JL05-16S-C2-3500](#) [ZP-4016-10NF](#)
[CONT-JL05-12P-C1-10](#) [RM20M12G8D28](#) [031-50676](#) [12115010110](#) [RJFTVC2MG](#) [CAP-DACMDPC2](#) [031-50675-002](#) [CAP-DD1FDPC2](#)
[CAP-DACMDPC1](#) [031-50966-010](#)