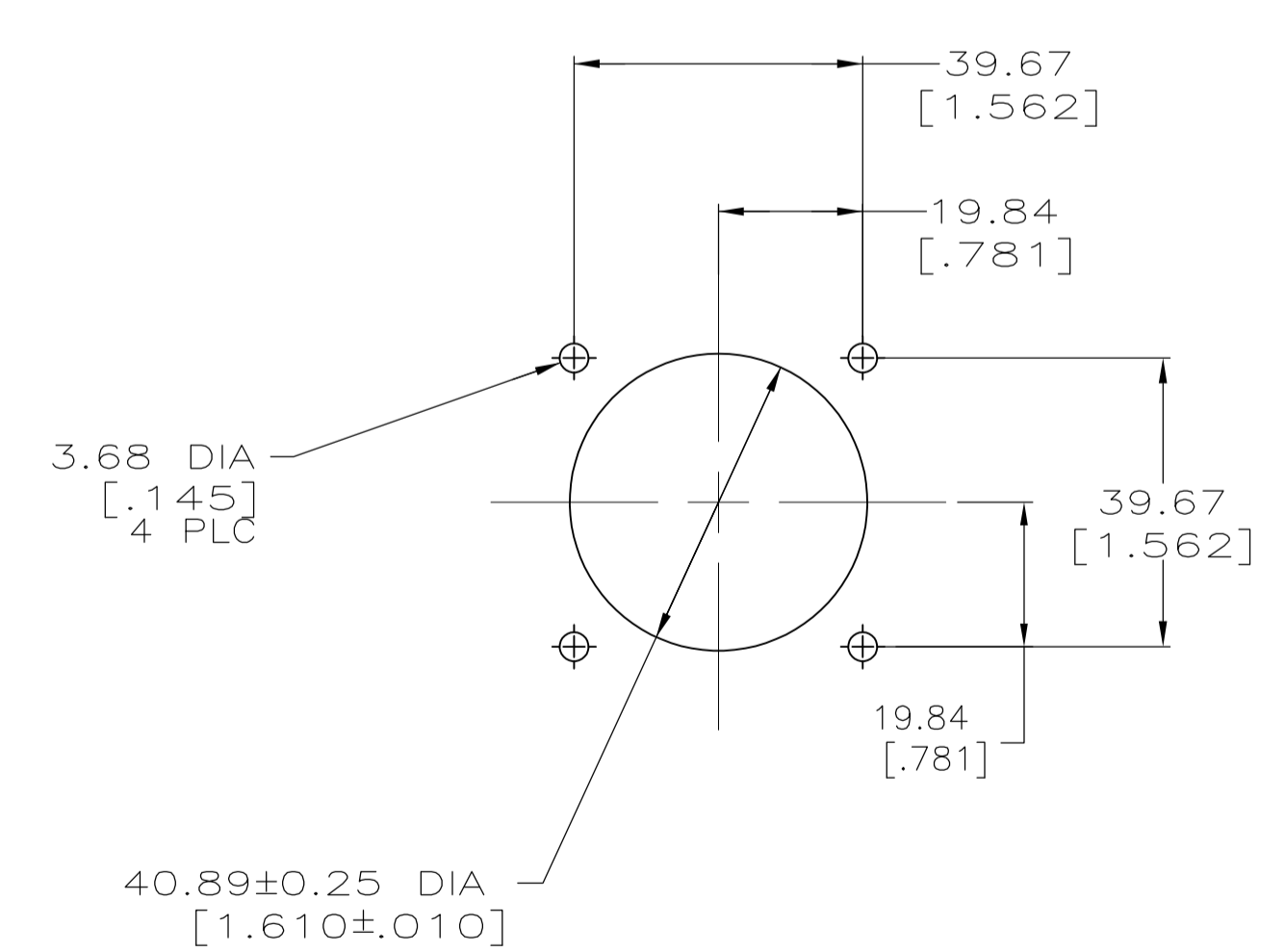
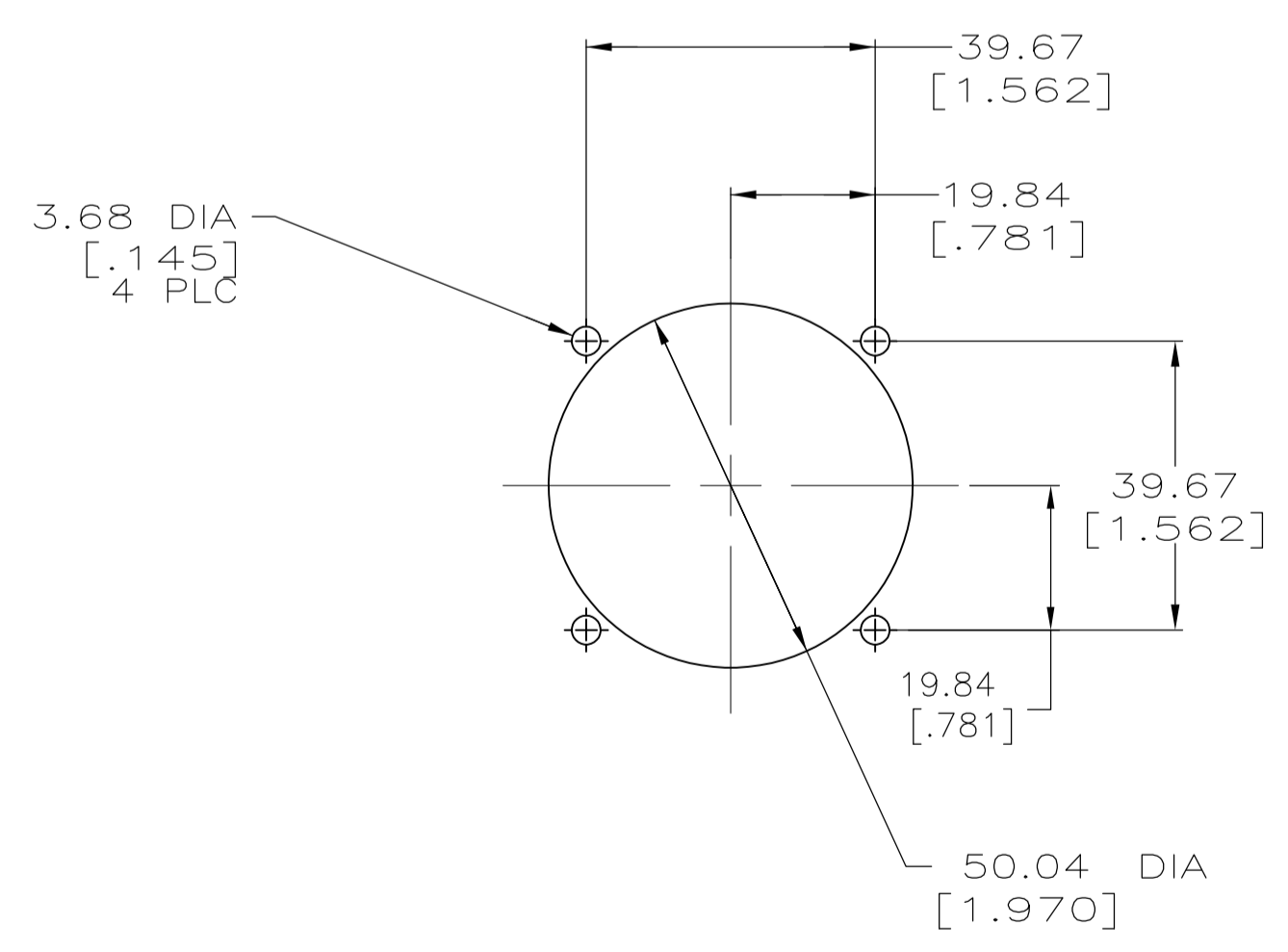
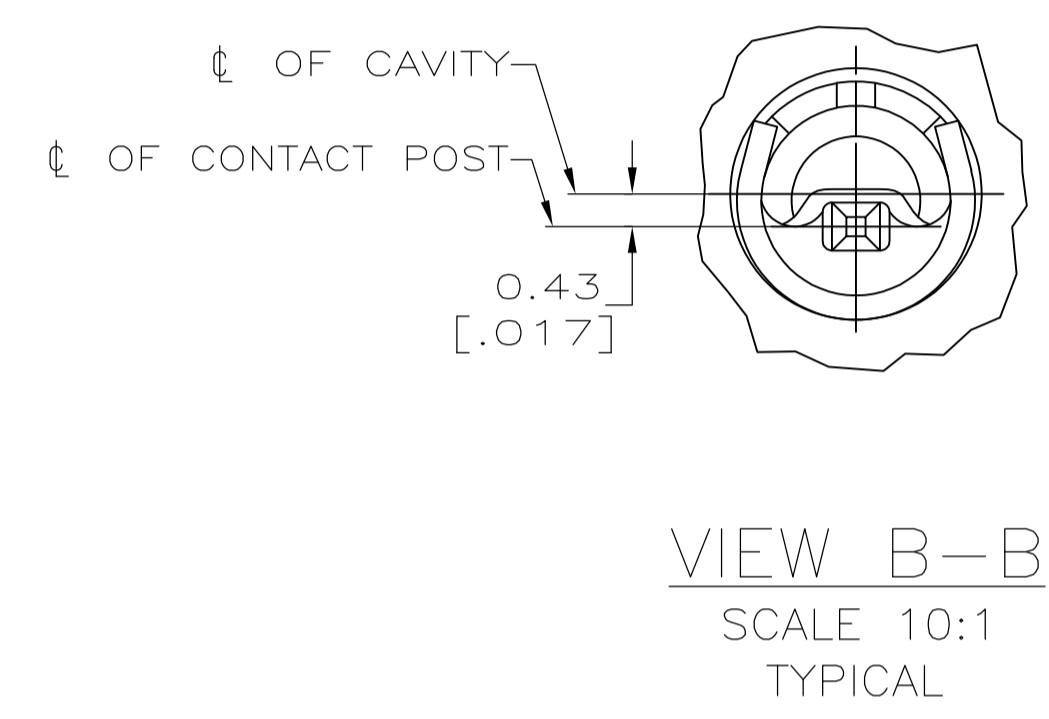
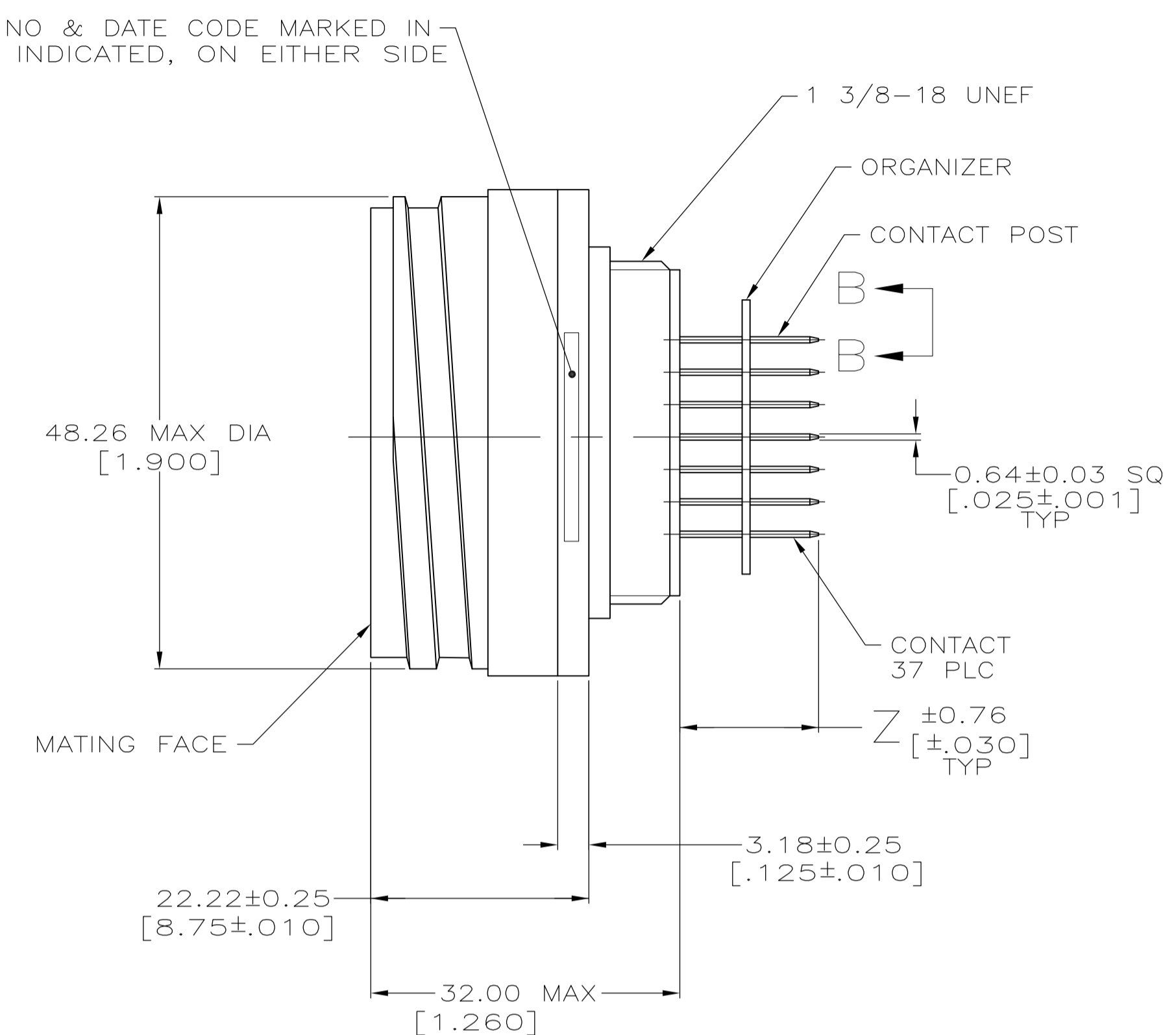
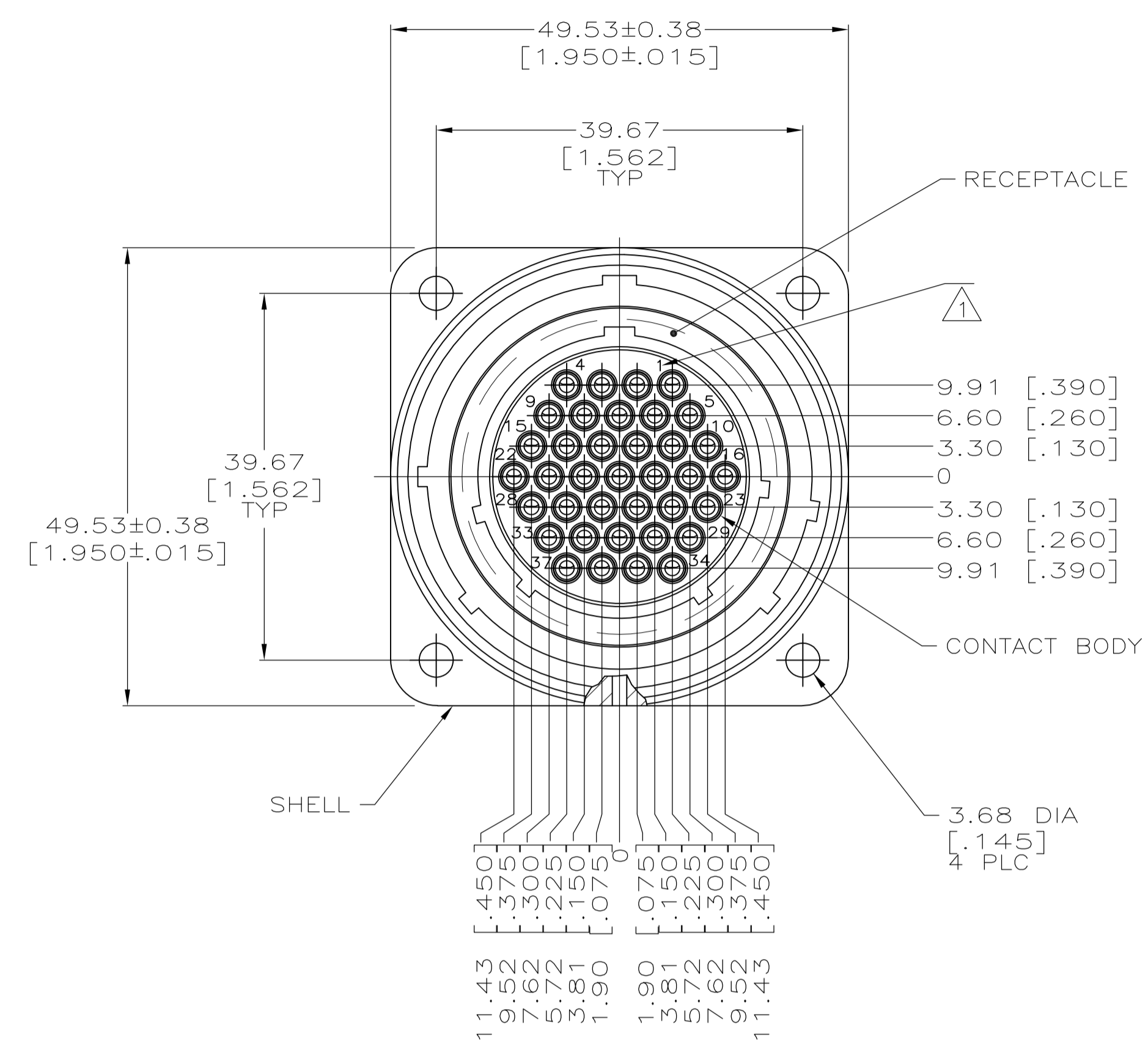


REVISIONS					
P	LTR	DESCRIPTION	DATE	DN	APVD
E1	REVISED PER ECO-16-004800		08SEP2016	NK	MZ
F	REVISED PER ECO-16-018358		09MAR2017	RS	MZ



- ⚠ CAVITY IDENTIFICATION CHARACTERS ON FRONT AND REAR FACE.
- ⚠ NYLON, UL 94V-0 RATED, BLACK.
- ⚠ CONTACT BODY:  $0.76 \mu\text{m}$  [0.000030] MIN GOLD FOR A LENGTH OF  $2.54$  [0.100] MIN FROM MATING END, GOLD FLASH ON REMAINDER, BOTH OVER  $1.27 \mu\text{m}$  [0.000050] MIN NICKEL. CONTACT POST:  $2.54 \mu\text{m}$  [0.000100] MIN TIN-LEAD OVER  $2.54 \mu\text{m}$  [0.000100] MIN COPPER.
- ⚠  $5.08 \mu\text{m}$  [0.000200] MIN NICKEL OVER  $10.16 \mu\text{m}$  [0.000400] MIN COPPER.
- ⚠ CONTACT BODY:  $0.76 \mu\text{m}$  [0.000030] MIN GOLD FOR A LENGTH OF  $2.54$  [0.100] MIN FROM MATING END, GOLD FLASH ON REMAINDER, BOTH OVER  $1.27 \mu\text{m}$  [0.000050] MIN NICKEL. CONTACT POST:  $2.54 \mu\text{m}$  [0.000100] MIN TIN OVER  $2.54 \mu\text{m}$  [0.000100] MIN COPPER.
- ⚠ SELECT LOAD CONTACTS 35 & 36 REMOVED.

OBSOLETE		YES	⚠	41.40 [1.630]	—213597-5—
		NO	⚠	16.38 [0.645]	213597-4
OBSOLETE		NO	⚠	16.38 [0.645]	—213597-3—
		NO	⚠	16.38 [0.645]	—213597-2—
		NO	⚠	14.15 [0.557]	—213597-1—
NOTES	ORGANIZER	CONTACT FINISH	Z	PART NUMBER	

THIS DRAWING IS A CONTROLLED DOCUMENT.

DIMENSIONS: mm [INCHES]	TOLERANCES UNLESS OTHERWISE SPECIFIED:	DIN L SIDE 4-23-90	STE TE Connectivity
	0 PLC ± -	CRK R STONE 4-25-90	
	1 PLC ± -	APVD K DeOLD 4-25-90	NAME
	2 PLC ± 0.13 [0.005]		RECEPTACLE ASSEMBLY, 28-37, REVERSE SEX, CMC
	3 PLC ± -		PRODUCT SPEC
	4 PLC ± -		108-10040
	ANGLES ± -		APPLICATION SPEC
MATERIAL: RECEPTACLE: SHELL: ZINC CONTACT: BRASS	FINISH: SHELL: CONTACT:	SIZE: A1	RESTRICTED TO
		WEIGHT: —	00779 213597
		CUSTOMER DRAWING	SCALE 2:1 SHEET 1 OF 1 REV F

## X-ON Electronics

Largest Supplier of Electrical and Electronic Components

*Click to view similar products for [Standard Circular Connector](#) category:*

*Click to view products by [TE Connectivity](#) manufacturer:*

Other Similar products are found below :

[C015](#) [10F006](#) [001](#) [1](#) [5M2530B10P](#) [600259N006](#) [600273N007](#) [600432N009](#) [6280-2PG-519](#) [6280-3PG-311](#) [6280-3SG-311](#) [6280-7SG-3DC](#)  
[6280-7SG-522](#) [6282-2SG-321](#) [6282-5PG-311](#) [6282-6PG-519](#) [6282-8SG-311](#) [6283-11](#) [6283-15](#) [6290](#) [6382-2PG-311](#) [6382-2PG-3DC](#) [6382-](#)  
[2SG-321](#) [6382-2SG-3DC](#) [6382-4SG-516](#) [680-SMG](#) [681-PMG](#) [CXS3102A14S2P](#) [CXS3102A181S](#) [CXS3106A14S6S](#) [D38999/20FC8SA L/C](#)  
[MB12P-1](#) [7251-2PG-300](#) [7251-2SG-300](#) [7251-4PG-300](#) [7251-4SG-300](#) [7251-5PG-300](#) [7251-5SG-300](#) [7251-6SG-300](#) [7251-7PG-300](#) [7251-](#)  
[8PG-300](#) [7271-6SG-300](#) [7282-3PG-300-CH3](#) [7282-8PG-3ES](#) [73000005663](#) [75-190216-08S](#) [75-190218-10P](#) [75-474618-01S](#) [75-474620-07P](#)  
[799539-000](#) [MI8-SE](#) [80-190222-18P](#) [805-005-07NF11-19PC](#)