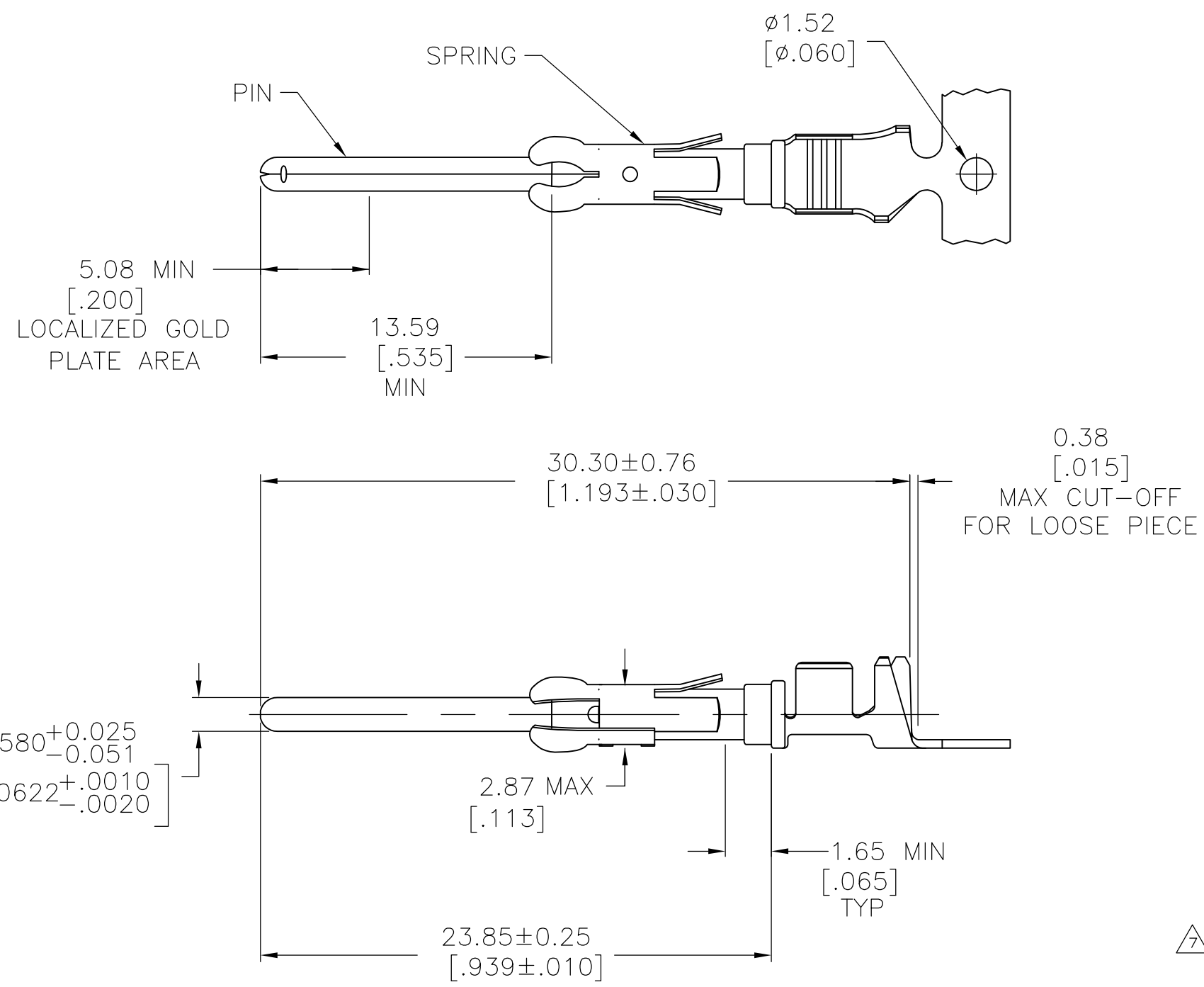


THIS DRAWING IS UNPUBLISHED. RELEASED FOR PUBLICATION
 © COPYRIGHT - By - ALL RIGHTS RESERVED.

REVISIONS				
P	LTR	DESCRIPTION	DATE	APVD
	F3	REVISED PER ECO-16-004800	08SEP2016	NK MZ



- 1 STAINLESS STEEL.
- 2 BRASS.
- 3 1.27 μ m [.000050] MIN TIN-LEAD OVER 1.27 μ m [.000050] MIN NICKEL.
- 4 WIRE RANGE: 14-18 AWG. INSULATION RANGE: 2.79-3.81 [.110-.150] DIA.
- 5 0.76 μ m [.000030] MIN GOLD IN LOCALIZED GOLD PLATE AREA, OVER 1.27 μ m [.000050] MIN NICKEL.
- 6 1.27 μ m [.000050] MIN TIN OVER 1.27 μ m [.000050] MIN NICKEL.
- 7 OBSOLETE PARTS: OBSOLETE CIS STREAMLINING PER D.RENAUD/D.SINISI

	LOOSE PIECE	6	213603-6
	STRIP	6	213603-5
7	OBSOLETE LOOSE PIECE	5	213603-4
	STRIP	5	213603-3
OBSOLETE	LOOSE PIECE	3	213603-2
	STRIP	3	213603-1
	DESCRIPTION	PIN FINISH	PART NO.

THIS DRAWING IS A CONTROLLED DOCUMENT.		DWN L.SIPE 05/07/90	STE TE Connectivity	
DIMENSIONS: mm [INCHES]		CHK R STONE 5-17-90		
TOLERANCES UNLESS OTHERWISE SPECIFIED:		APVD -	NAME	
0 PLC ± -		PRODUCT SPEC -	PIN ASSEMBLY, 5015 SERIES, 14-18 AWG, SPECIAL TYPE III+	
1 PLC ± -		APPLICATION SPEC -	SIZE	CAGE CODE
2 PLC ± 0.13 [.005]		WEIGHT	A3	00779
3 PLC ± -		CUSTOMER DRAWING	DRAWING NO	C-213603
4 PLC ± -		SCALE	4:1	SHEET 1 OF 1
ANGLES ± -		RESTRICTED TO	-	
FINISH SEE TABLE		REV	F3	
MATERIAL SPRING: 1		CUSTOMER DRAWING		
PIN: 2		SCALE 4:1 SHEET 1 OF 1 REV F3		

X-ON Electronics

Largest Supplier of Electrical and Electronic Components

Click to view similar products for [TE Connectivity](#) manufacturer:

Other Similar products are found below :

[D38999/24FJ4AN](#) [570416-000](#) [CLTEQ-M81CE-SSRELAY-4-20V](#) [4-1195131-0](#) [650069-000](#) [SMD100-2](#) [358838-000](#) [CB-1022B-78](#)
[RM707012](#) [RP410012](#) [MMS42](#) [1-640426-8](#) [2EDL4CM](#) [DTS20W19-11PD-3028-LC](#) [RM202615](#) [NC6-P104-06](#) [MSPS103B](#) [DTS26F21-41HE-LC](#) [DTS26F21-41AE](#) [DTS26F21-41PE-LC](#) [DTS26F21-11SE-3028-LC](#) [30DCB6](#) [1932144-1](#) [293545-4](#) [LVR125S](#) [MS27466T25F4PB](#)
[CKB-38-78010](#) [TR04AI-TINELLOCKRING](#) [1206SFF150F/63-2](#) [D38999/20JB35HA](#) [TE1500A2R2J](#) [D38999/20WC8BB](#) [DTS24F19-11SC-3028-LC](#) [D38999/24WG11HA](#) [D38999/24WG11HN](#) [MS27467T21F11H](#) [DJT16E21-11HA](#) [MS27467T21F35J](#) [MS27467T21F11J](#)
[MS27467T21F16H-LC](#) [MS27467T21F35H](#) [MS27467T21F41H-LC](#) [1206SFH150F/24-2](#) [RP330024](#) [DJT16E21-11PA-LC](#) [DJT16E21-11HA-LC](#) [DJT16E21-11AA](#) [MS27467T21B11JA](#) [DJT16E21-11JA](#) [MS27467T21B11JA-LC](#)