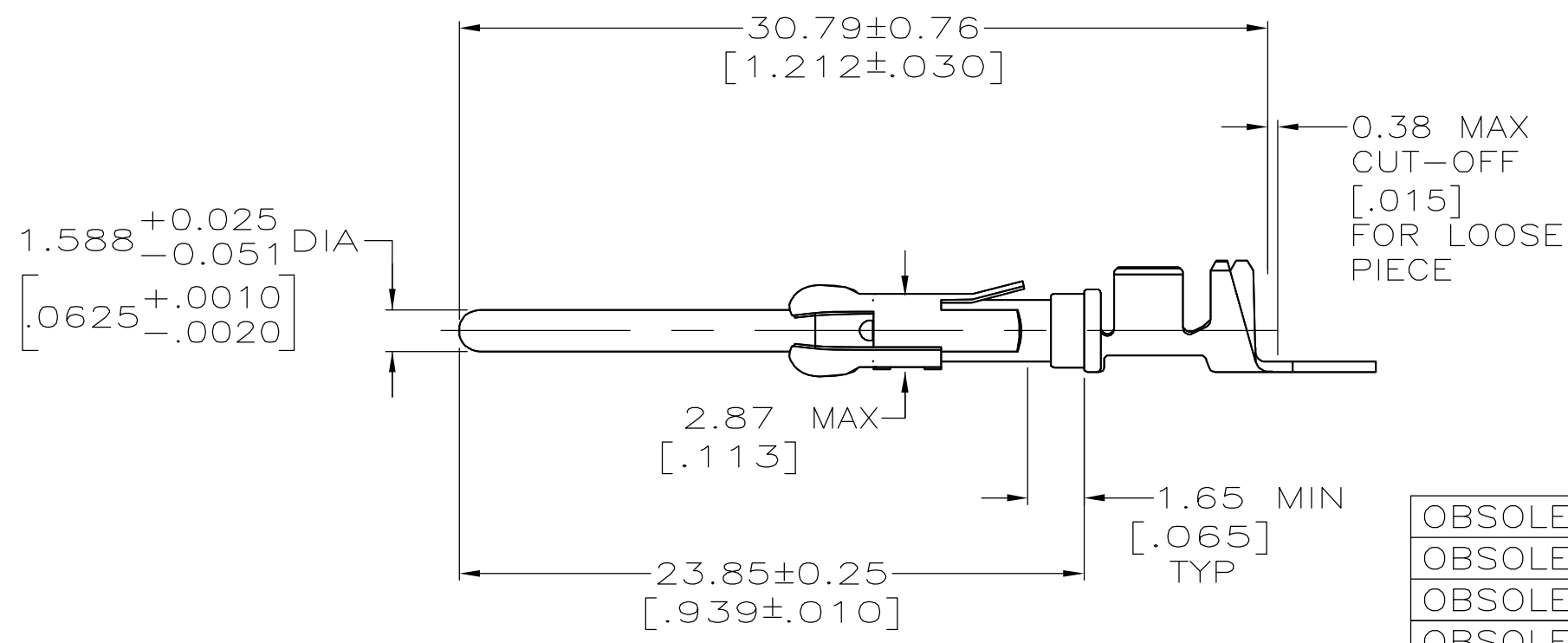
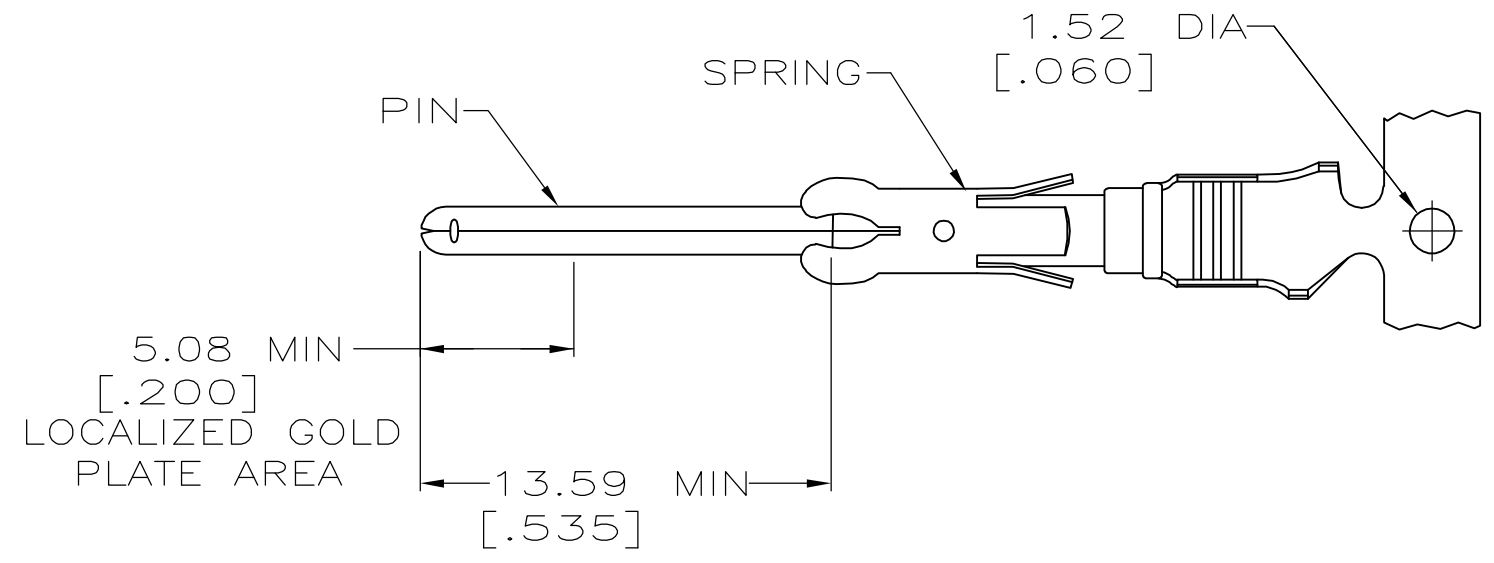


THIS DRAWING IS UNPUBLISHED. RELEASED FOR PUBLICATION  
 © COPYRIGHT BY TYCO ELECTRONICS CORPORATION. ALL RIGHTS RESERVED.

LOC	DIST	REVISIONS			
P	LTR	DESCRIPTION	DATE	DWN	APVD
FT	0	F1	REVISED PER ECO-06-13762	6/19/06	SS SRY

- 1 STAINLESS STEEL.
- 2 BRASS.
- 3 1.27um [.000050] MIN TIN-LEAD OVER 1.27um [.000050] MIN NICKEL.
- 4 WIRE RANGE: 20-24 AWG. INSULATION RANGE: 1.52-3.05 [.060-.120] DIA.
- 5 0.38um [.000015] MIN GOLD IN LOCALIZED GOLD PLATE AREA, OVER 1.27um [.000050] MIN NICKEL.
- 6 0.76um [.000030] MIN GOLD IN LOCALIZED GOLD PLATE AREA, OVER 1.27um [.000050] MIN NICKEL.
- 7 1.27um [.000050] MIN TIN OVER 1.27um [.000050] MIN NICKEL.



	DESCRIPTION	PIN FINISH	PART NO.
	STRIP	7	213605-7
OBSOLETE	LOOSE PIECE	6	213605-6
OBSOLETE	STRIP	6	213605-5
OBSOLETE	LOOSE PIECE	5	213605-4
OBSOLETE	STRIP	5	213605-3
OBSOLETE	LOOSE PIECE	3	213605-2
	STRIP	3	213605-1

THIS DRAWING IS A CONTROLLED DOCUMENT.		DWN L.SIPE 05/07/90	Tyco Electronics Corporation Harrisburg, PA 17105-3608			
DIMENSIONS: mm [INCHES]		CHK R.STONE 5-17-90				
TOLERANCES UNLESS OTHERWISE SPECIFIED:		APVD -	NAME			
0 PLC ± - 1 PLC ± - 2 PLC ± 0.13 [.005] 3 PLC ± - 4 PLC ± - ANGLES ± -		PRODUCT SPEC -	PIN ASSEMBLY, 5015 SERIES, 20-24 AWG, SPECIAL TYPE III+			
MATERIAL		APPLICATION SPEC -	SIZE	CAGE CODE	DRAWING NO	RESTRICTED TO
SPRING: 1 PIN: 2		WEIGHT -	A3	00779	C-213605	-
FINISH		CUSTOMER DRAWING		SCALE	SHEET	REV
PIN: SEE TABLE				4:1	1 OF 1	F1

## X-ON Electronics

Largest Supplier of Electrical and Electronic Components

*Click to view similar products for [Standard Circular Contacts](#) category:*

*Click to view products by [TE Connectivity](#) manufacturer:*

Other Similar products are found below :

[RC16M23J](#) [133780-1](#) [RM20M13D28](#) [RM24M9D28](#) [RMMX110-1D28](#) [MS3474W10-6P L/C](#) [ELVP16100E](#) [164-901-CD](#) [EN3545007SCE](#)  
[BV002BSQ20049CZ](#) [BV002SSQ160404CZ](#) [1900ND05S1B00B](#) [166566-1](#) [1900ND04S1X00D](#) [ST-JL05-16S-C3-100](#) [ST-JL05-20S-C1-100](#)  
[ST-JL05-20S-C2-100](#) [T01-CRIMP-S03](#) [APK-SA16A07-002](#) [27963-15T12](#) [CONT-JL05-08S-C2-10](#) [CONT-JL05-12S-C1-10](#) [RC16M-23T](#)  
[RFD26L-1D28](#) [BV002ASJ16049CW](#) [JN1-22-20S-R-PKG100](#) [031-50213](#) [031-50565](#) [031-50794](#) [SJS861301M](#) [ST-JL05-16S-C1-100](#) [ST-](#)  
[JL05-20P-C1-100](#) [82911466K](#) [192991-0087](#) [192900-0570](#) [44-100-1414P-1000-101](#) [T3P16FC3LZ](#) [ST-JL05-16S-C2-3500](#) [ZP-4016-10NF](#)  
[CONT-JL05-12P-C1-10](#) [RM20M12G8D28](#) [031-50676](#) [12115010110](#) [RJFTVC2MG](#) [CAP-DACMDPC2](#) [031-50675-002](#) [CAP-DD1FDPC2](#)  
[CAP-DACMDPC1](#) [031-50966-010](#) [ASSP-10-F-A-C-SA](#)