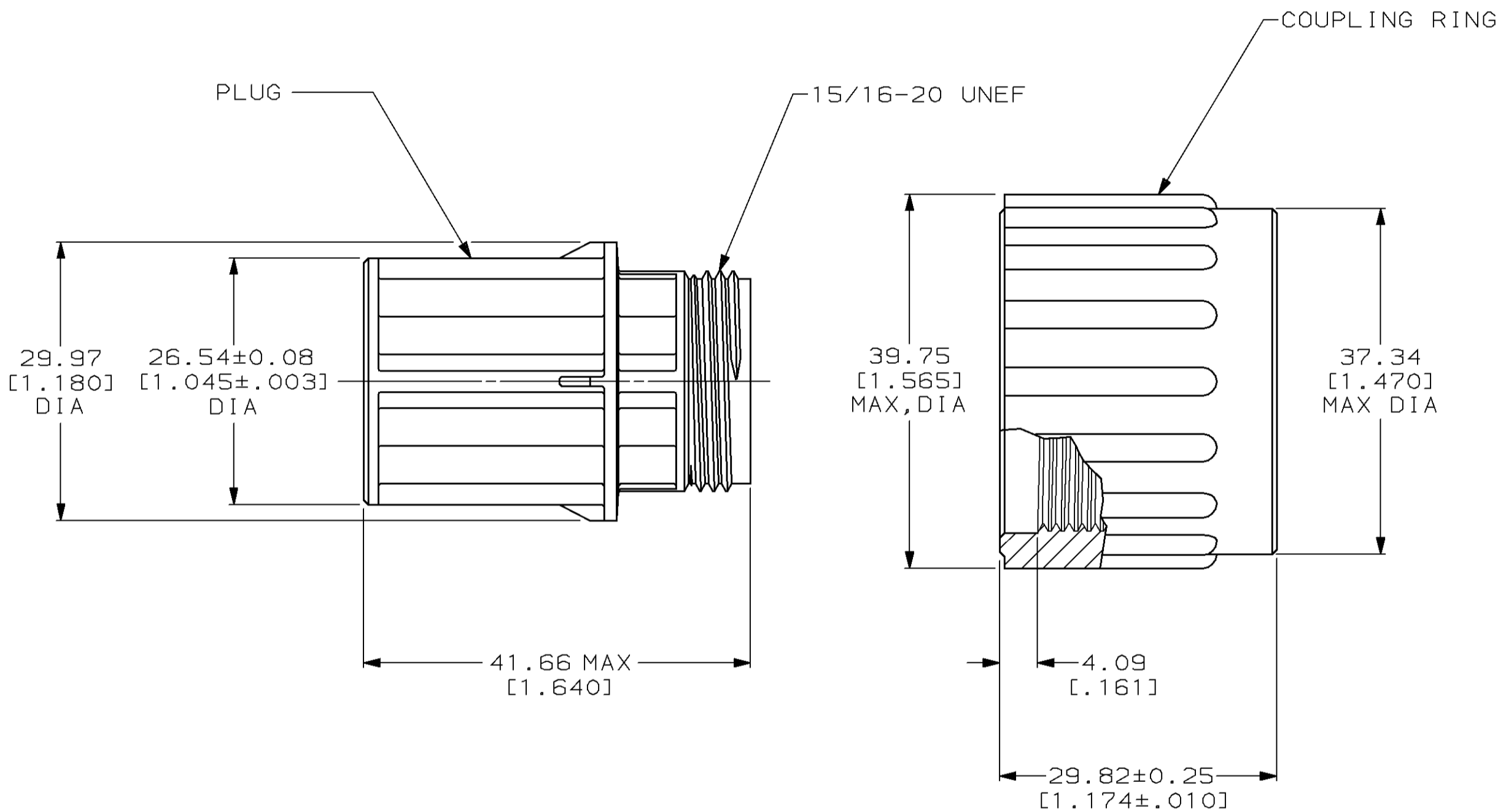
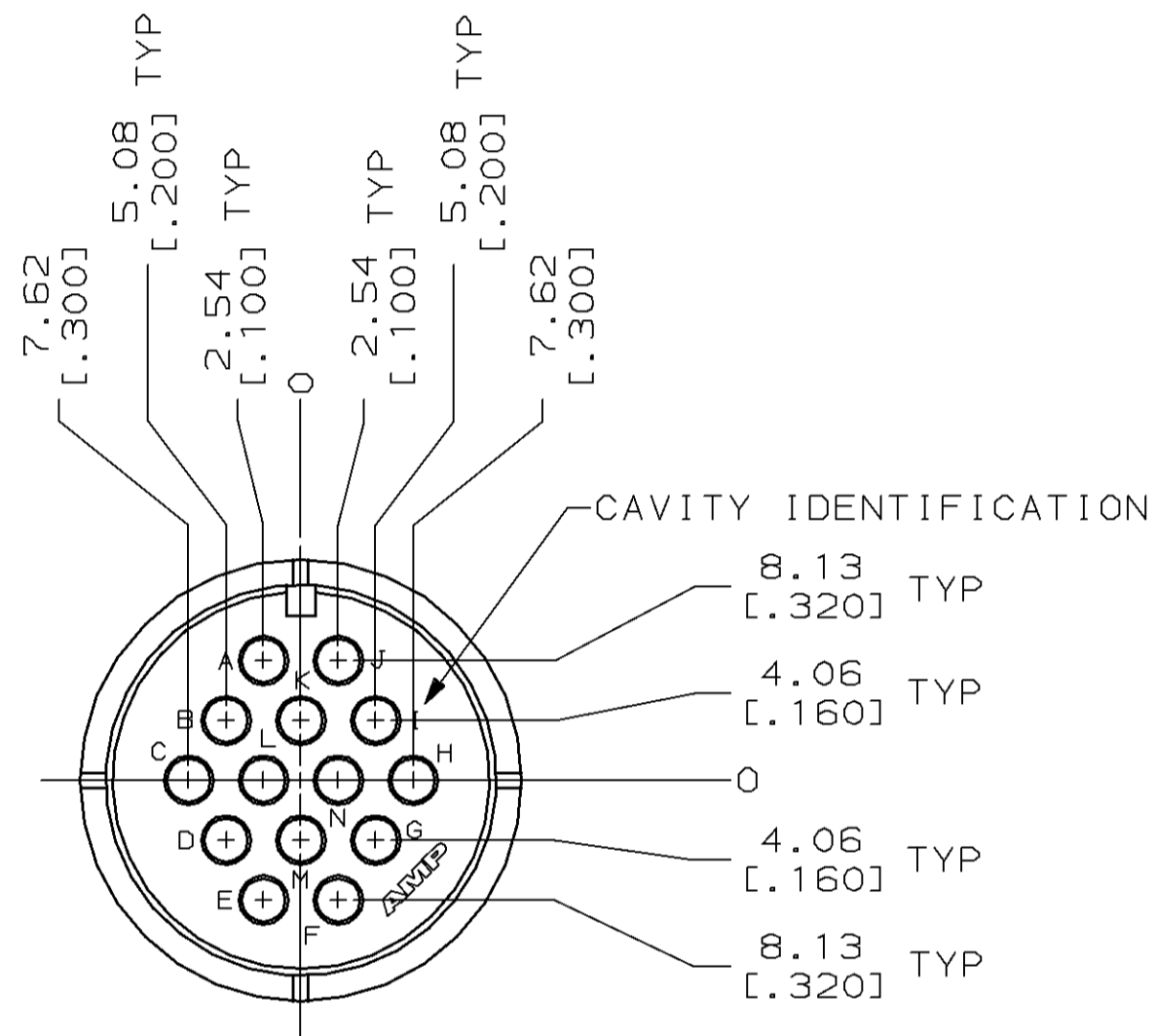


THIS DRAWING IS UNPUBLISHED. RELEASED FOR PUBLICATION, 19 .
 © COPYRIGHT 19 BY AMP INCORPORATED. ALL INTERNATIONAL RIGHTS RESERVED.

MOD	LOC	DIST	P	F	REVISIONS				
					ZONE	LTR	DESCRIPTION	DATE	APPD
4	BD	35			O		RLSE PER NPR 3280, WAS 90-5029-3-2	01/18/91	KB
					A		REVISED PER ECN BD6148	04/21/92	KB
					B		REV PER EC 0020-299-93	04/07/93	RW
					C		REV PER EC 0020-155-94	03/10/94	AF
					D		REV PER EC 0020-0740-94	07/13/94	AF

1. PLUG MATES WITH PRODUCT DESIGNED TO MIL SPEC 5015.
2. PLUG ACCEPTS TYPE III+ SOCKET CONTACTS.
3. PARTS BULK PACKAGED.



		213652-1	
		PART NO	
DO NOT SCALE PRINT. UNLESS SPECIFIED DIMENSIONS IN mm [INCHES] TOLERANCES ON : 2 PLC DEC ± 0.13 [0.005] 3 PLC DEC ± - ANGLES ± -		DR 01/18/91 L.SIPE CHK 1-31-91 R.STONE APPD 1-31-91 K.BEAVER APPD 1-31-91 J.FULPONI PRODUCT SPEC 108-10024	
MATERIAL POLYAMID, BLACK		NAME	
FINISH -		AMP Incorporated Harrisburg, PA 17105-3608 PLUG KIT, UNASSEMBLED, 20-14 ARR, STD SEX, CPC	
APPLICATION SPEC 114-10004		SIZE C	CAGE CODE 00779
WEIGHT -		DRAWING NO 213652	
		SCALE 2:1	SHEET 1 OF 1

X-ON Electronics

Largest Supplier of Electrical and Electronic Components

Click to view similar products for [Standard Circular Connector](#) category:

Click to view products by [TE Connectivity](#) manufacturer:

Other Similar products are found below :

[5M2530B10P](#) [600259N006](#) [600273N007](#) [6134-336-13149](#) [6134-337-11149](#) [6134-337-2390](#) [6134-341-17149](#) [6280-4SG-516](#) [6280-7SG-3DC](#)
[6290](#) [6291A](#) [66200A-10](#) [680-SMG](#) [681-PMG](#) [CXS3102A14S2P](#) [CXS3102A181S](#) [7251-5SG-300](#) [7271-6SG-300](#) [7282-3PG-300-CH3](#) [75-](#)
[474618-01S](#) [75-474618-04P](#) [75-474618-04S](#) [799539-000](#) [MI8-SE](#) [805-005-07NF11-19PC](#) [805-005-07NF15-7PA](#) [8280-4PG-516](#) [8280-7PG-](#)
[519](#) [8282-5PG-519](#) [836783-1](#) [MP-4102-25P-C](#) [862256-1](#) [864019-2](#) [866857-1](#) [867865-1](#) [PT01SP-14-18P](#) [PT08P-14-5S](#) [PTSF06SE-14-12S](#)
[120-1833-000](#) [QCM019PC2DC012B](#) [1-2069279-1](#) [121583-0217](#) [121667-0020](#) [129591AU](#) [1000B BULK](#) [RD10A16-19-P6CS051/1](#)
[RD10A20-31-P8CS051/1](#) [RD16A14-12-S6CS051/2](#) [1301240290](#) [1301240347](#) [1301860202](#)