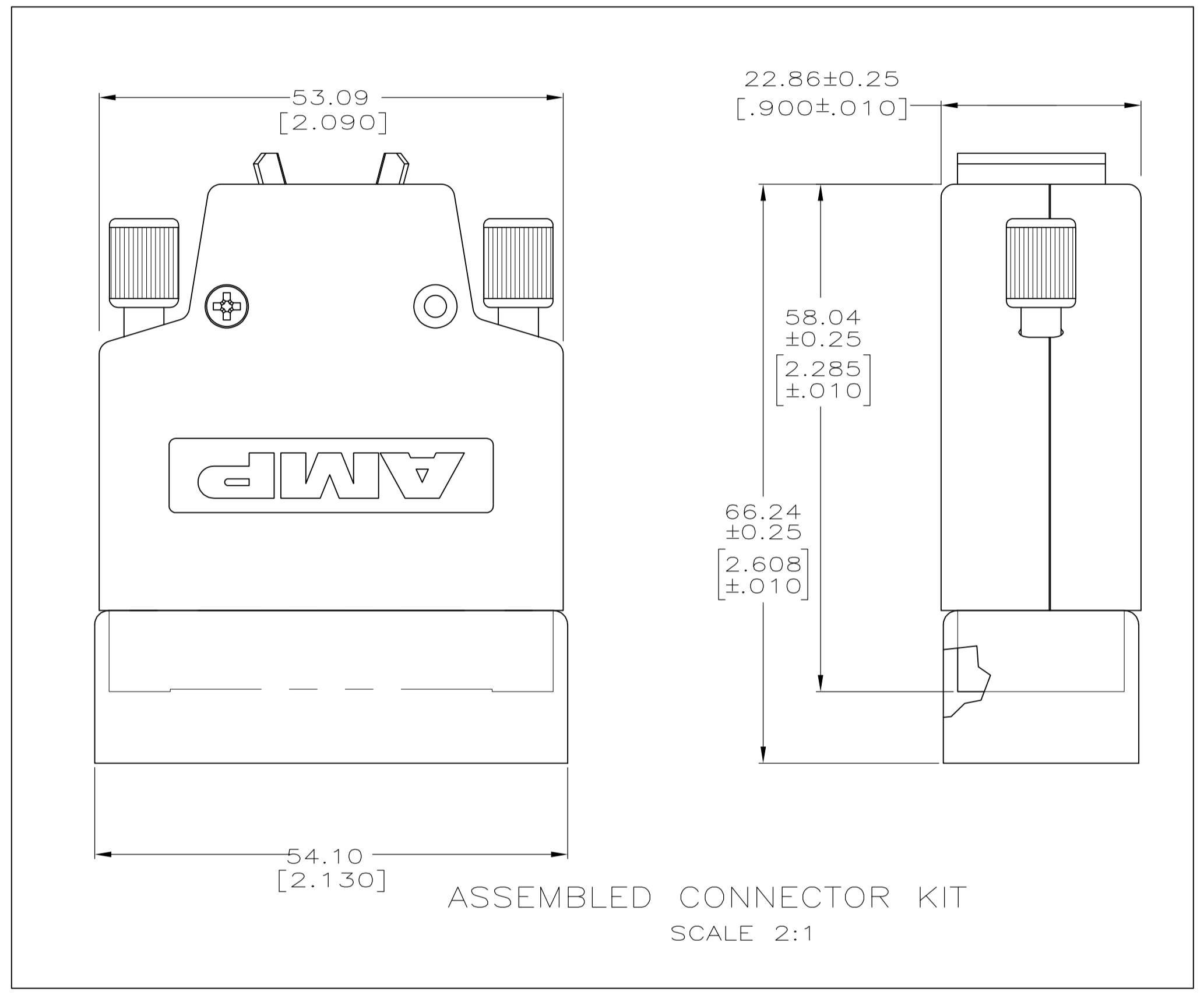
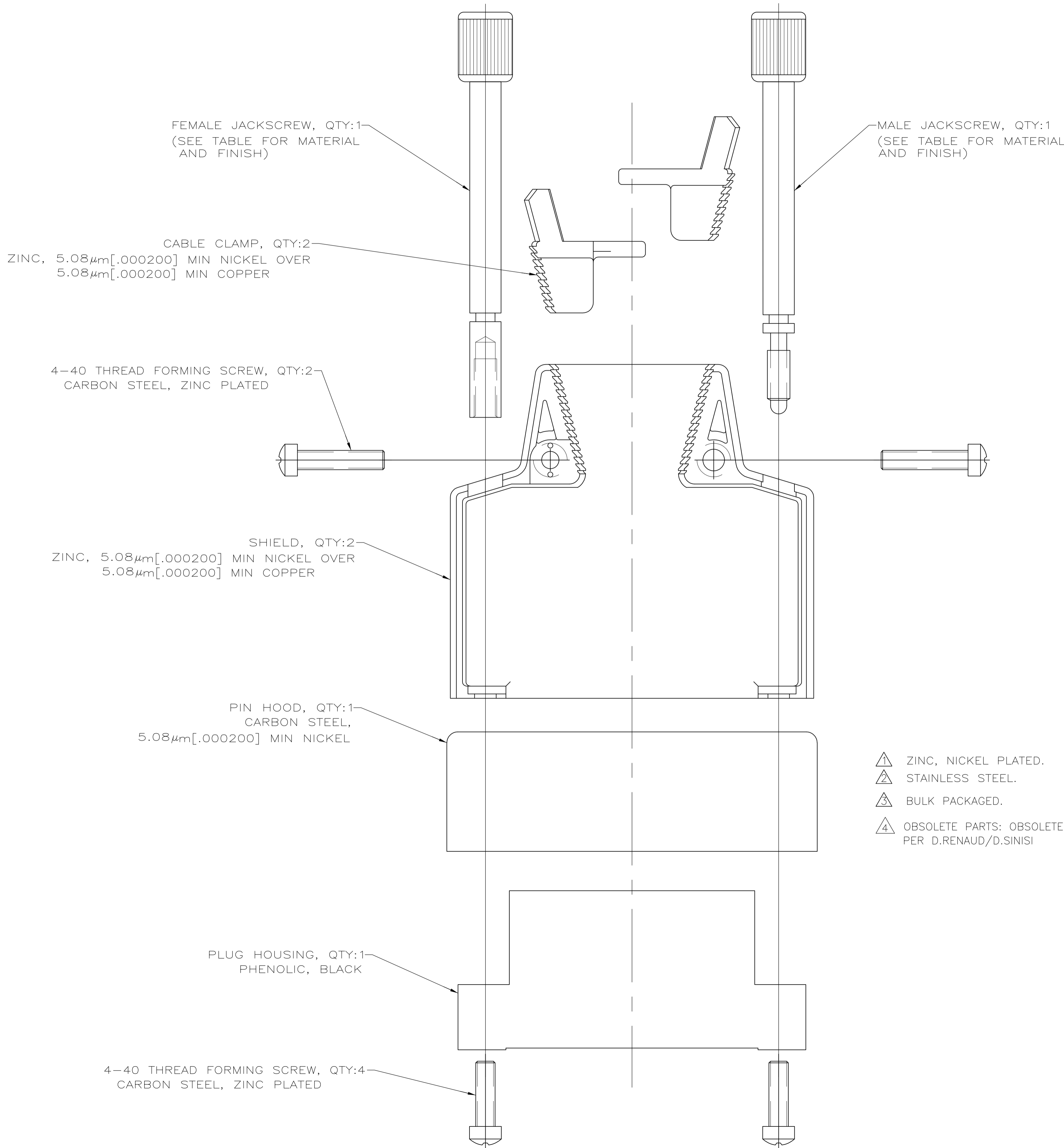


REVISIONS					
P	LTR	DESCRIPTION	DATE	DN	APVD
J2	REVISED PER	ECO-16-004000	28SEP2016	NK	MZ



- ▲ ZINC, NICKEL PLATED.
- ▲ STAINLESS STEEL.
- ▲ BULK PACKAGED.
- ▲ OBSOLETE PARTS: OBSOLETE CIS STREAMLINING PER D.RENAUD/D.SINISI

3	▲	OBSOLETE	▲	YES	3.81-7.62 [.150-.300]	1-213684-1
▲	▲	OBSOLETE	▲	NO	3.81-7.62 [.150-.300]	1-213684-0
▲	▲	OBSOLETE	▲	YES	3.81-7.62 [.150-.300]	213684-9
		SUPERSEDED BY 213603-2	▲	NO	6.35-10.16 [.250-.400]	213684-8
		OBSOLETE	▲	NO	10.16-15.24 [.400-.600]	213684-7
		SUPERSEDED	▲	YES	6.35-10.16 [.250-.400]	213684-6
		SUPERSEDED BY 213604-3	▲	YES	10.16-15.24 [.400-.600]	213684-5
		OBSOLETE	▲	YES	6.35-10.16 [.250-.400]	213684-4
▲	▲	OBSOLETE	▲	YES	10.16-15.24 [.400-.600]	213684-3
			▲	NO	6.35-10.16 [.250-.400]	213684-2
			▲	NO	10.16-15.24 [.400-.600]	213684-1
		JACKSCREW				
		PIN HOOD				
		CABLE DIAMETER				
		PART NO				

THIS DRAWING IS A CONTROLLED DOCUMENT. DWG: W.G.LENKER 6-21-91
 CHK: R.STONE 6-27-91
 APVD: A.ROULLIANNE 6-28-91

STE TE Connectivity

CONNECTOR KIT, UNASSEMBLED, 34 POSITION, M SERIES

DIMENSIONS: mm [INCHES]	TOLERANCES UNLESS OTHERWISE SPECIFIED:	0 PLC ± -	1 PLC ± -	2 PLC ± 0.13[.005]	3 PLC ± -	4 PLC ± -	ANGLES ± -
MATERIAL SEE CALLOUTS	FINISH SEE CALLOUTS	WEIGHT	SIZE	CAGE CODE	DRAWING NO	RESTRICTED TO	
			A1	00779	213684		

CUSTOMER DRAWING SCALE 3:1 SHEET 1 OF 1 REV J2

X-ON Electronics

Largest Supplier of Electrical and Electronic Components

Click to view similar products for [Rack & Panel Connectors](#) category:

Click to view products by [TE Connectivity](#) manufacturer:

Other Similar products are found below :

[00171410002](#) [00171420202](#) [00171440002](#) [02-014-013-5200-000](#) [613467-000](#) [CTJ112E01E-513](#) [CTJ116E03A-513](#) [66020-2](#) [CW8958-000](#)
[699886-000](#) [D250-50632](#) [70.400.3240.0](#) [70.955.2453.3](#) [733753-000](#) [F22831-000](#) [780-522-DPX34RG8-02](#) [8660-501](#) [87.060.0053.0](#)
[900709N001](#) [928358-1](#) [D-659-0061](#) [1-445717-6](#) [1484469-2](#) [1604997-2](#) [MTC100-BF1-P31CS015](#) [MTC100-KT2-0083](#) [MTC100-KT2-0123-](#)
[003](#) [MTC100-YA1-005](#) [MTCQKT1R2PGCA](#) [MTCR-103-04S](#) [MTCX1X-100-100CS025](#) [1738331-1](#) [1757667-1](#) [1811481-1](#) [1883433-1](#)
[201046-7](#) [202648-4](#) [213364-1](#) [226503-000](#) [937028-164](#) [1663130-2](#) [172305-4](#) [F36711-000](#) [202355-2](#) [202356-2](#) [G16S-A](#) [G20S-AB](#) [CHA-](#)
[0017-003](#) [CHA-0296](#) [354654-000](#)