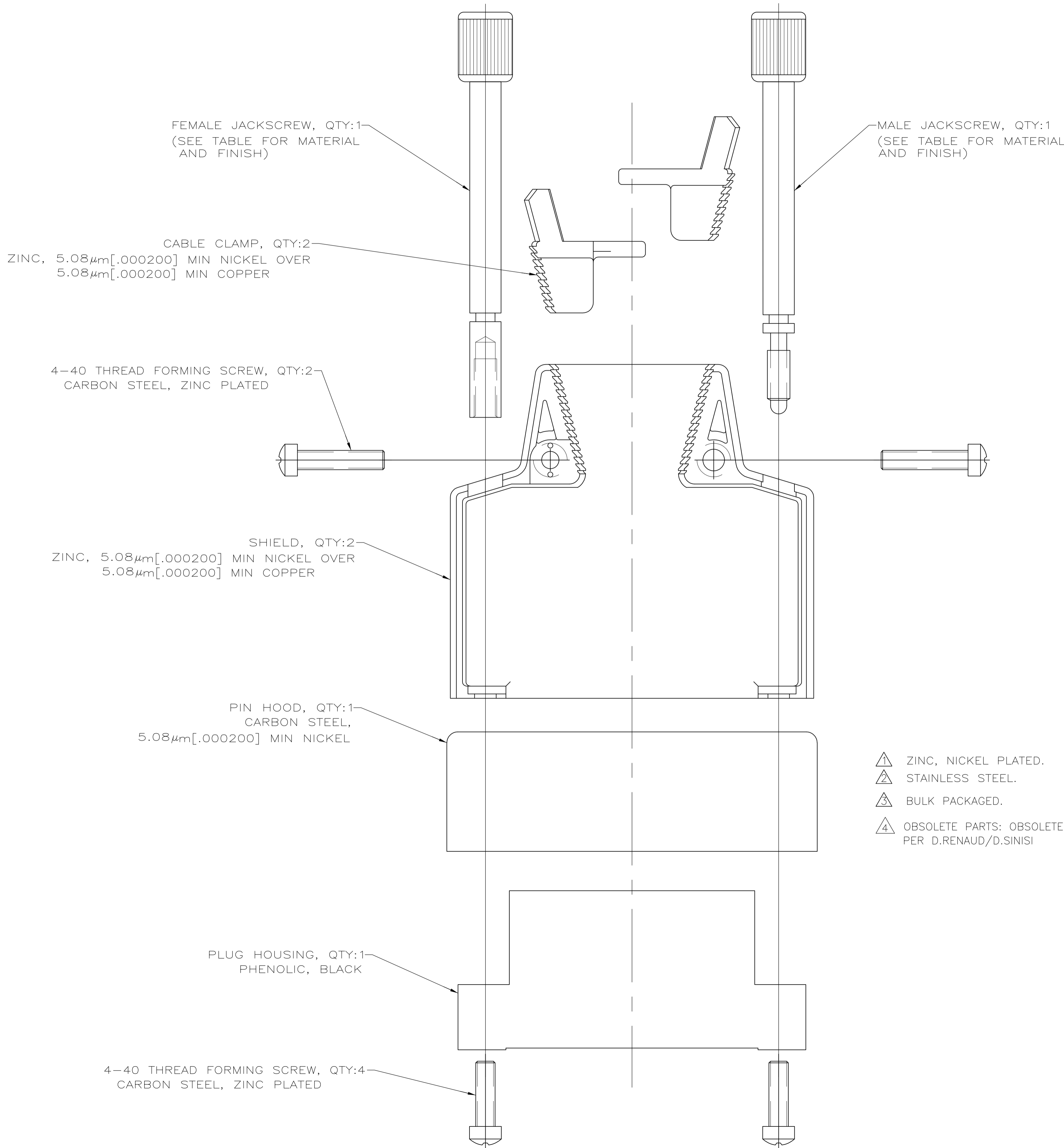
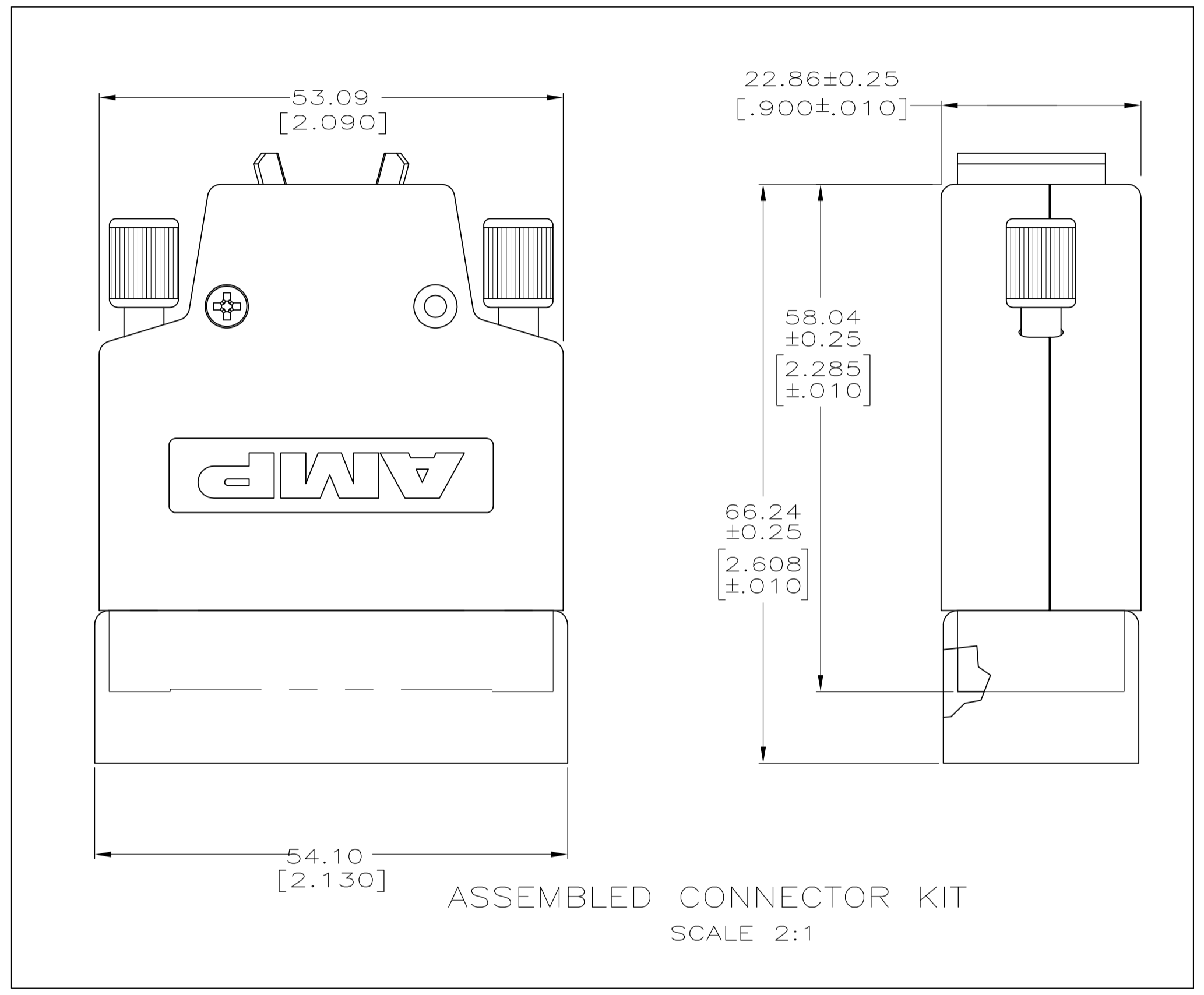


REVISIONS					
P	LTR	DESCRIPTION	DATE	DN	APVD
J2	REVISED PER	ECO-16-004000	28SEP2016	NK	MZ



- ▲ ZINC, NICKEL PLATED.
- ▲ STAINLESS STEEL.
- ▲ BULK PACKAGED.
- ▲ OBSOLETE PARTS: OBSOLETE CIS STREAMLINING PER D.RENAUD/D.SINISI



REV	DESCRIPTION	DATE	BY	CHKD	APVD
3	▲ OBSOLETE				
4	▲ OBSOLETE				
1	▲ OBSOLETE				
2	▲ OBSOLETE				
3	▲ OBSOLETE				
4	▲ OBSOLETE				
5	▲ OBSOLETE				
6	▲ OBSOLETE				
7	▲ OBSOLETE				
8	▲ OBSOLETE				
9	▲ OBSOLETE				
10	▲ OBSOLETE				
11	▲ OBSOLETE				
12	▲ OBSOLETE				
13	▲ OBSOLETE				
14	▲ OBSOLETE				
15	▲ OBSOLETE				
16	▲ OBSOLETE				
17	▲ OBSOLETE				
18	▲ OBSOLETE				
19	▲ OBSOLETE				
20	▲ OBSOLETE				
21	▲ OBSOLETE				
22	▲ OBSOLETE				
23	▲ OBSOLETE				
24	▲ OBSOLETE				
25	▲ OBSOLETE				
26	▲ OBSOLETE				
27	▲ OBSOLETE				
28	▲ OBSOLETE				
29	▲ OBSOLETE				
30	▲ OBSOLETE				
31	▲ OBSOLETE				
32	▲ OBSOLETE				
33	▲ OBSOLETE				
34	▲ OBSOLETE				
35	▲ OBSOLETE				
36	▲ OBSOLETE				
37	▲ OBSOLETE				
38	▲ OBSOLETE				
39	▲ OBSOLETE				
40	▲ OBSOLETE				
41	▲ OBSOLETE				
42	▲ OBSOLETE				
43	▲ OBSOLETE				
44	▲ OBSOLETE				
45	▲ OBSOLETE				
46	▲ OBSOLETE				
47	▲ OBSOLETE				
48	▲ OBSOLETE				
49	▲ OBSOLETE				
50	▲ OBSOLETE				
51	▲ OBSOLETE				
52	▲ OBSOLETE				
53	▲ OBSOLETE				
54	▲ OBSOLETE				
55	▲ OBSOLETE				
56	▲ OBSOLETE				
57	▲ OBSOLETE				
58	▲ OBSOLETE				
59	▲ OBSOLETE				
60	▲ OBSOLETE				
61	▲ OBSOLETE				
62	▲ OBSOLETE				
63	▲ OBSOLETE				
64	▲ OBSOLETE				
65	▲ OBSOLETE				
66	▲ OBSOLETE				
67	▲ OBSOLETE				
68	▲ OBSOLETE				
69	▲ OBSOLETE				
70	▲ OBSOLETE				
71	▲ OBSOLETE				
72	▲ OBSOLETE				
73	▲ OBSOLETE				
74	▲ OBSOLETE				
75	▲ OBSOLETE				
76	▲ OBSOLETE				
77	▲ OBSOLETE				
78	▲ OBSOLETE				
79	▲ OBSOLETE				
80	▲ OBSOLETE				
81	▲ OBSOLETE				
82	▲ OBSOLETE				
83	▲ OBSOLETE				
84	▲ OBSOLETE				
85	▲ OBSOLETE				
86	▲ OBSOLETE				
87	▲ OBSOLETE				
88	▲ OBSOLETE				
89	▲ OBSOLETE				
90	▲ OBSOLETE				
91	▲ OBSOLETE				
92	▲ OBSOLETE				
93	▲ OBSOLETE				
94	▲ OBSOLETE				
95	▲ OBSOLETE				
96	▲ OBSOLETE				
97	▲ OBSOLETE				
98	▲ OBSOLETE				
99	▲ OBSOLETE				
100	▲ OBSOLETE				

THIS DRAWING IS A CONTROLLED DOCUMENT.

DIMENSIONS: mm [INCHES]	TOLERANCES UNLESS OTHERWISE SPECIFIED: 0 PLC ± - 1 PLC ± - 2 PLC ± 0.13[.005] 3 PLC ± - 4 PLC ± - ANGLES ± -	DIN W.G.LENKER 6-21-91 CHK R STONE 6-27-91 APVD A BOULLIANNE 6-28-91	TE Connectivity
MATERIAL SEE CALLOUTS	FINISH SEE CALLOUTS	NAME CONNECTOR KIT, UNASSEMBLED, 34 POSITION, M SERIES	RESTRICTED TO
WEIGHT	SCALE 3:1	DRAWING NO. 00779	SHEET 1 OF 1
CUSTOMER DRAWING	REV J2	213684	

X-ON Electronics

Largest Supplier of Electrical and Electronic Components

Click to view similar products for [Rack & Panel Connectors](#) category:

Click to view products by [TE Connectivity](#) manufacturer:

Other Similar products are found below :

[00171410002](#) [00171420202](#) [00171440002](#) [02-014-013-5200-000](#) [613467-000](#) [CTJ112E01E-513](#) [CTJ116E03A-513](#) [66020-2](#) [CW8958-000](#)
[699886-000](#) [D250-50632](#) [70.400.3240.0](#) [70.955.2453.3](#) [733753-000](#) [F22831-000](#) [780-522-DPX34RG8-02](#) [8660-501](#) [87.060.0053.0](#)
[900709N001](#) [928358-1](#) [D-659-0061](#) [1-445717-6](#) [1484469-2](#) [1604997-2](#) [MTC100-BF1-P31CS015](#) [MTC100-KT2-0083](#) [MTC100-KT2-0123-](#)
[003](#) [MTC100-YA1-005](#) [MTCQKT1R2PGCA](#) [MTCR-103-04S](#) [MTCX1X-100-100CS025](#) [1738331-1](#) [1757667-1](#) [1811481-1](#) [1883433-1](#)
[201046-7](#) [202648-4](#) [213364-1](#) [226503-000](#) [937028-164](#) [1663130-2](#) [172305-4](#) [AC-660022-701BP](#) [F36711-000](#) [202355-2](#) [202356-2](#) [G16S-A](#)
[G20S-AB](#) [CHA-0017-003](#) [CHA-0296](#)