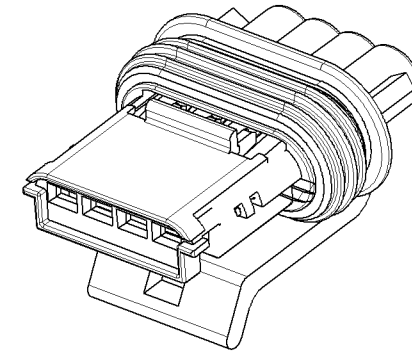
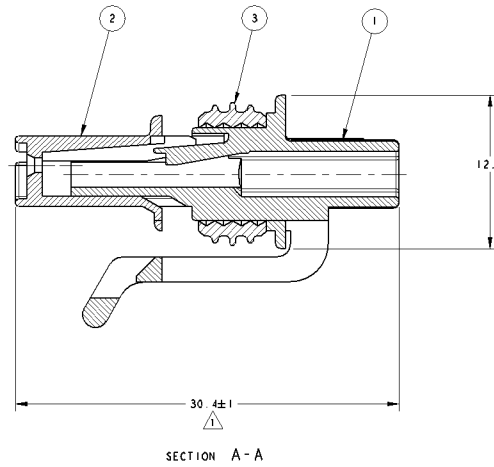
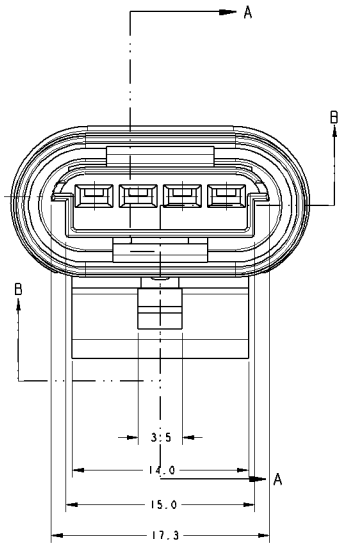
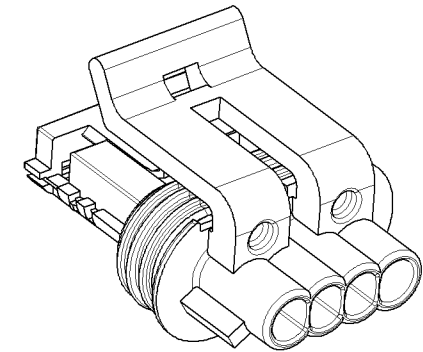
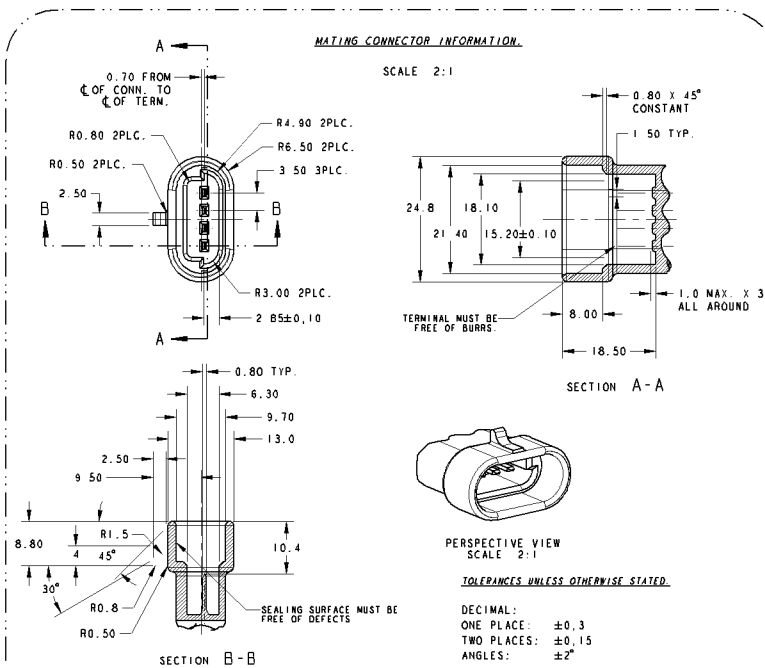
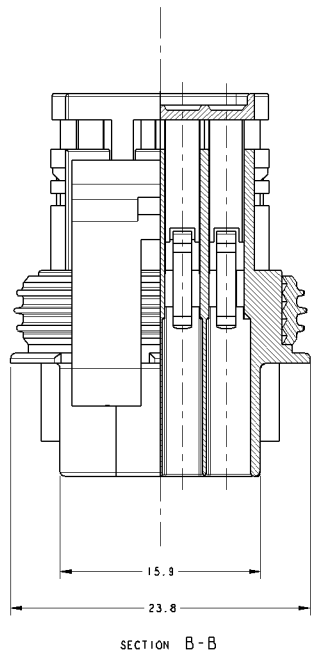


REV. NO.		REVISIONS		DATE	BY	APP'D
AP	-	P	REV			
		A	RELEASED		J. C.	



PERSPECTIVE VIEWS
SCALE 5:1



- NOTES:
- 1 SPACER SHIPPED IN PRE-SET POSITION AS SHOWN
 - 2 USE TERMINALS: 282438-1
 - 3 USE SINGLE WIRE SEAL: 963530-1

*-1 SHOWN"

REQ. PER ASSY	ITEM	DESCRIPTION	MATERIAL	FINISH
	1	3	CONNECTOR SEAL, 4 POSN.	SILICONE ORANGE
	1	2	SPACER 4 POSN., MULTI-LOCK RECP.	PBT GF15 YELLOW
	1	1	HOUSING 4 POSN., MULTI-LOCK RECP.	PBT GF15 BLACK

REV. NO.	AP	DATE	09JUL2010	DESIGNED BY	J. CHER	DATE	14JUL2010	BY	J. GUARCO	DATE	14JUL2010	BY	J. ODA	DATE	14JUL2010	BY	J. ODA	DATE	14JUL2010	BY	J. ODA
DIMENSIONS:		UNIT:		DRAWN BY:		CHECKED BY:		APPROVED BY:		TITLE:		PART NO.:		REV. NO.:		DATE:		BY:		APP'D:	
MATERIAL:		FINISH:		SCALE:		SHEET:		OF:		REV. NO.:		DATE:		BY:		APP'D:		DATE:		BY:	
SIC TABLE		CUSTOMER DRAWING		SCALE 5:1		SHEET 1		OF 1		REV. NO. A		DATE		BY		APP'D		DATE		BY	

X-ON Electronics

Largest Supplier of Electrical and Electronic Components

Click to view similar products for [Automotive Connectors](#) category:

Click to view products by [TE Connectivity](#) manufacturer:

Other Similar products are found below :

[003-018-000](#) [60993906-B](#) [72.330.1035.1](#) [F358300-B](#) [F407400](#) [776880-1](#) [827153-1](#) [8N1515-32-24P](#) [9-1326729-8](#) [925474-1](#) [928905-1](#)
[964562-4](#) [968782-1](#) [98891-1012](#) [12004475-L](#) [12041318-B](#) [12052466](#) [12015909](#) [1-21030-1](#) [12041318](#) [12047957](#) [12185550](#) [12336-12](#)
[12147304](#) [1-326211-1](#) [13681974](#) [13783086](#) [13832576](#) [13542772](#) [13675513](#) [1428188-1](#) [1437287-3](#) [1428188-2](#) [DS07-19S-5020](#) [1456983-5](#)
[1456987-7](#) [APD-7CP-H](#) [APK-SB25A10L](#) [1452931-2](#) [15336198](#) [15491972](#) [15305306](#) [15396680](#) [15425613](#) [15518544](#) [15522351](#) [1719636-1](#)
[172190-2](#) [172190-5](#) [192900-0402](#)