

4

3

2

1

THIS DRAWING IS UNPUBLISHED.

RELEASED FOR PUBLICATION

20

© COPYRIGHT 20

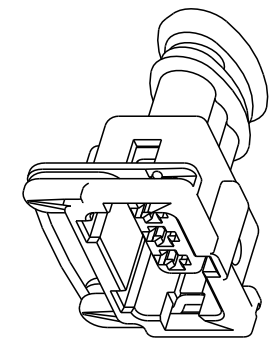
BY TYCO ELECTRONICS CORPORATION.

ALL INTERNATIONAL RIGHTS RESERVED.

LOC ES DIST 00

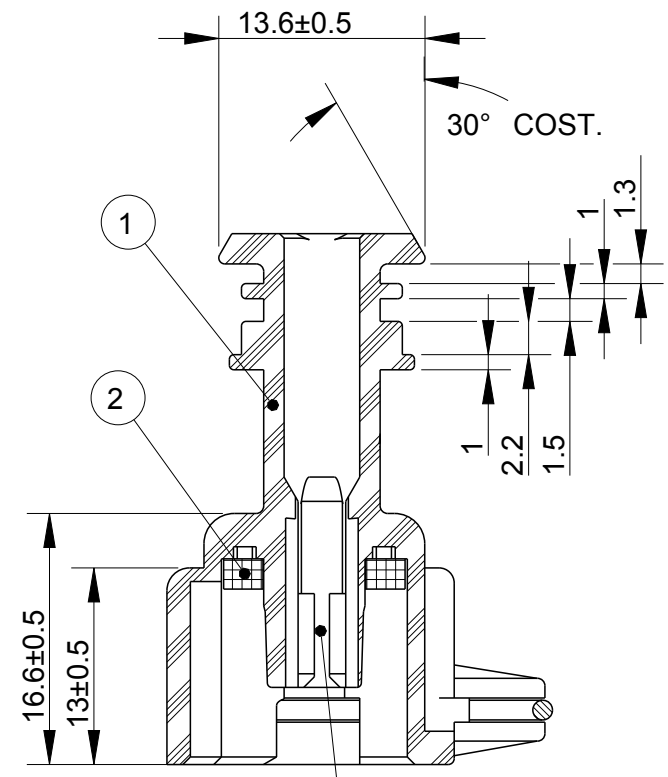
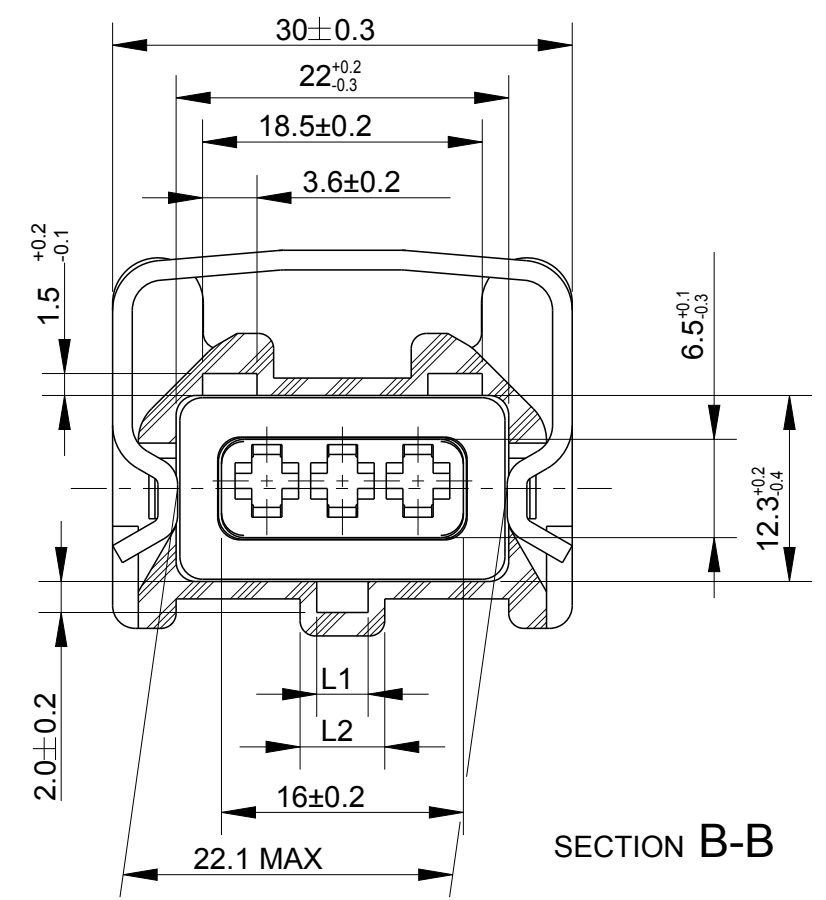
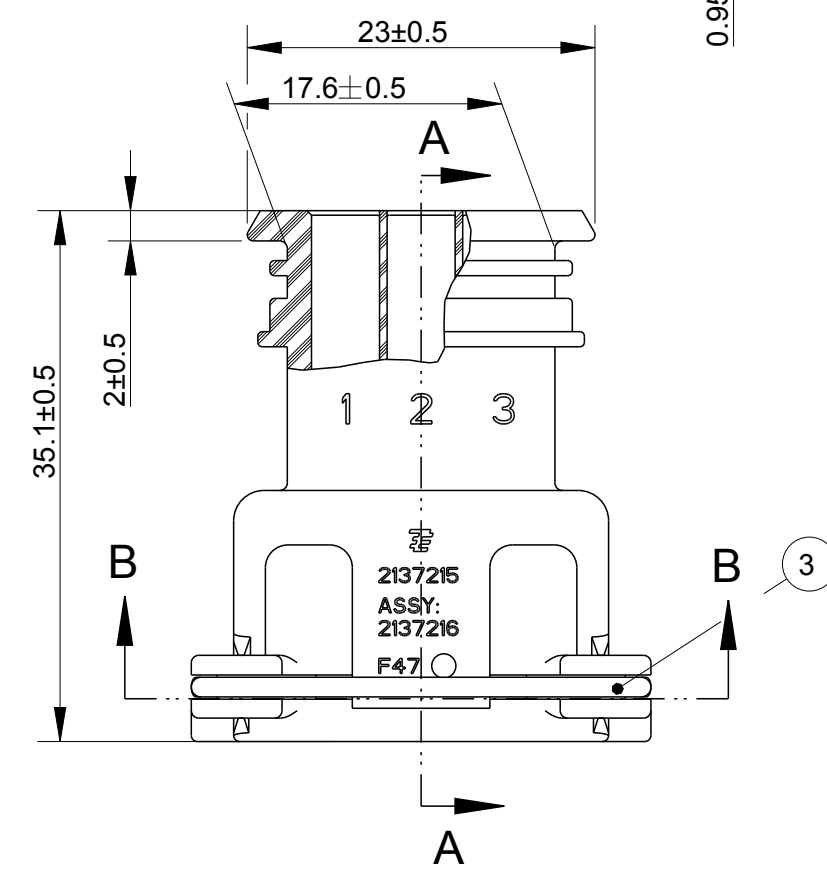
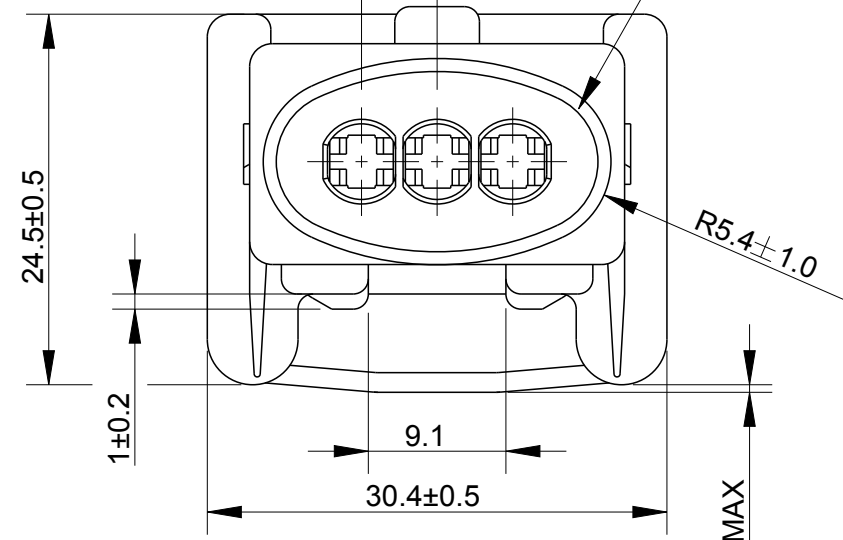
REVISIONS

P	LTR	DESCRIPTION	DATE	DWN	APVD
	A	RELEASED	20SEP10	J.C	K.O
	A1	ECR-11-014281	11JUL11	J.C	I.Y
	A2	ECR-12-001993	01FEB12	J.C	I.Y



SCALE 1:1

PITCH 5±0.15 TYP.



SECTION A-A

TIP. CAVITY FOR JPT CONTACT P/N 929939-... A/O 929937-... AND REL.
 SINGLE WIRE SEAL P/N 828904-1,828905-1,282536-1
 CAVITY PLUG P/N 828906-2

N°	FINISH/COLOUR	MATERIAL	DESCRIPTION
3	-	STAINLESS STEEL	SPRING
2	NATURALE	RUBBER	SEAL
1	-	PBT GF30	HOUSING

DIMENSIONS:		TOLERANCES UNLESS OTHERWISE SPECIFIED:	
mm		± 0.3	
		0 PLC	±
		1 PLC	±0.1
		2 PLC	±0.05
		3 PLC	±0.005
MATERIAL		FINISH	±0.0050

DWN	J.CHEN	10SEP10
CHK	Y.YANG	10SEP10
APVD	K.ODA	20SEP10
PRODUCT SPEC	108-20091	
APPLICATION SPEC	-	
WEIGHT	-	
CUSTOMER DRAWING		

Tyco Electronics Tyco Electronics Shanghai, China

NAME: 3 POS. SPLASH CONN. ASS'Y

SIZE: A3 CAGE CODE: 00779 DRAWING NO: 2137216 RESTRICTED TO: -

SCALE: 2:1 SHEET: 1 OF 1 REV: A2

NOTE:

1. INTERFACE DRAWING SEE DRAWING C-282191 PAGE2.

TE P/N	COLOR	DIM.L1	DIM.L2
2137216-9	ROSE	8.4 ±0.2	10.6
2137216-8	LIGHT BLUE	8.4 ±0.2	10.6
2137216-7	BALCK	8.4 ±0.2	10.6
2137216-6	BROWN(RAL 8007)	3.4 ±0.2	5.6
2137216-5	BLUE(RAL 5015)	3.4 ±0.2	5.6
2137216-4	GREEN(RAL 6029)	3.4 ±0.2	5.6
2137216-3	NATURAL	3.4 ±0.2	5.6
2137216-2	GREY(RAL 7000)	3.4 ±0.2	5.6
2137216-1	BLACK(RAL 9005)	3.4 ±0.2	5.6

X-ON Electronics

Largest Supplier of Electrical and Electronic Components

Click to view similar products for [Automotive Connectors](#) category:

Click to view products by [TE Connectivity](#) manufacturer:

Other Similar products are found below :

[003-018-000](#) [60403001](#) [60993906-B](#) [M902-2131](#) [M902-2161](#) [72.330.1035.1](#) [73.353.4028.0](#) [F119300-B](#) [F166900](#) [F258300-B](#) [F358300-B](#)
[F407400](#) [F444110](#) [F487000](#) [F509500B-B](#) [827153-1](#) [8N1515-32-24P](#) [9-1326729-8](#) [925474-1](#) [928905-1](#) [964562-4](#) [968782-1](#) [GT17SA-8DS-](#)
[HU](#) [98891-1012](#) [98947-1016](#) [12004147](#) [12004475-L](#) [12010290](#) [12010309-B](#) [12015454](#) [12020219-B](#) [12020308](#) [12041318-B](#) [12052225-L](#)
[12052466](#) [12059125](#) [12064869](#) [12004327-B](#) [12010503-B](#) [12015308](#) [12015384](#) [12015909](#) [1-21030-1](#) [12041254](#) [12041318](#) [12047946-B](#)
[12047957](#) [12047957-L](#) [12059473](#) [12066261](#)