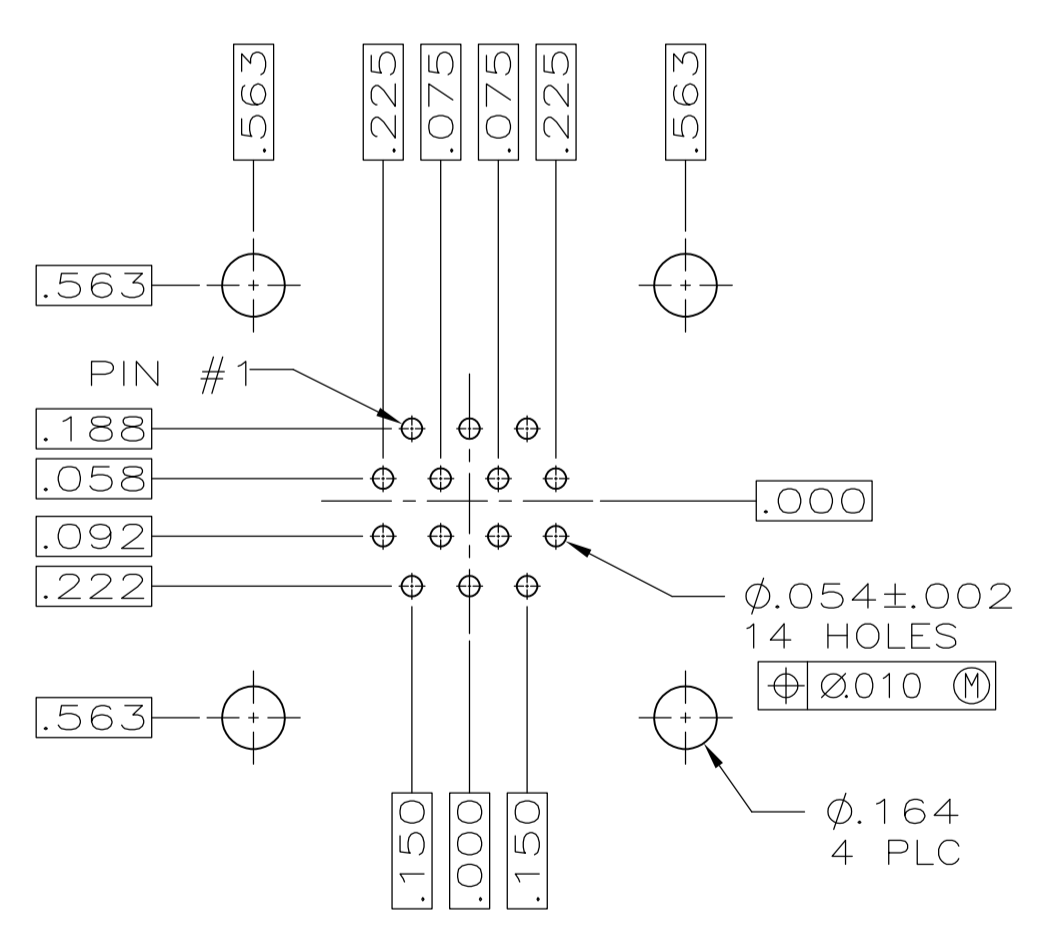
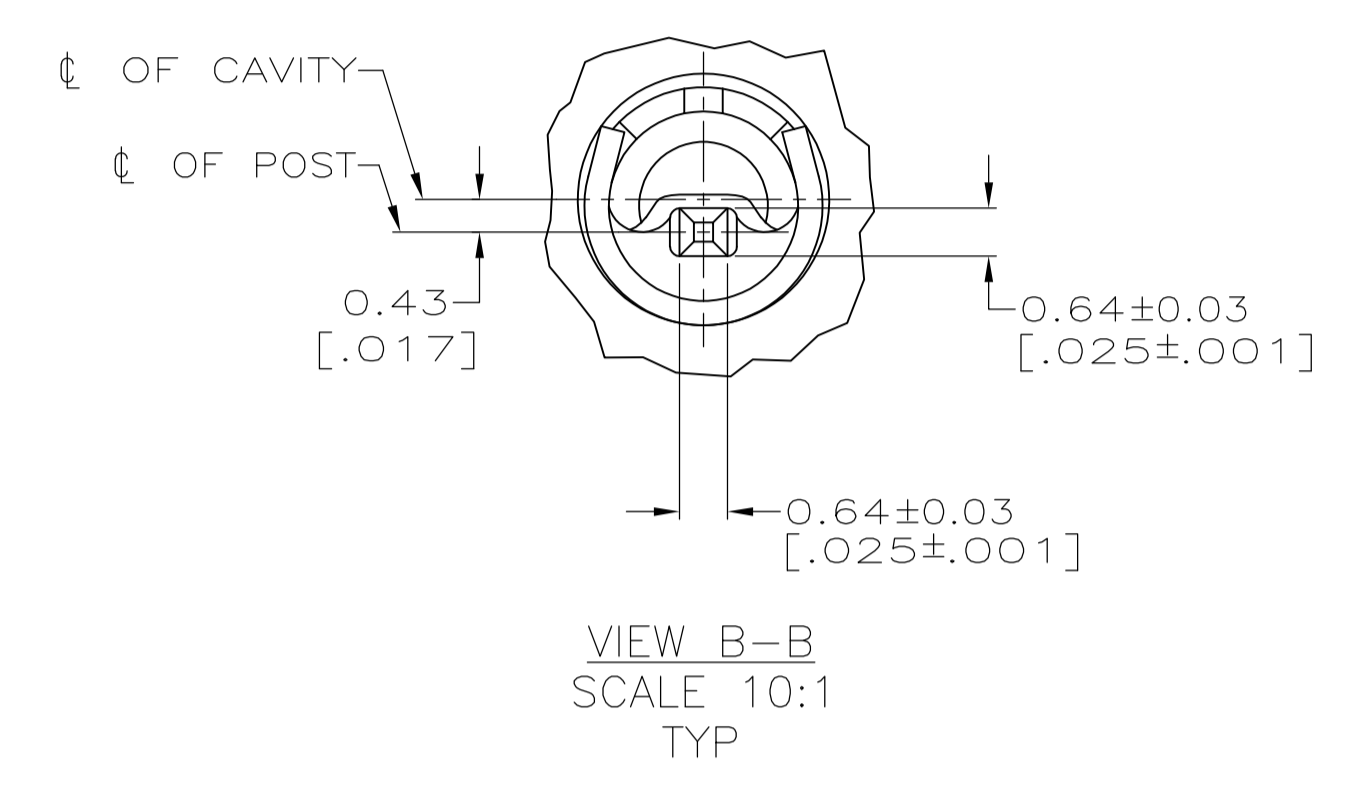
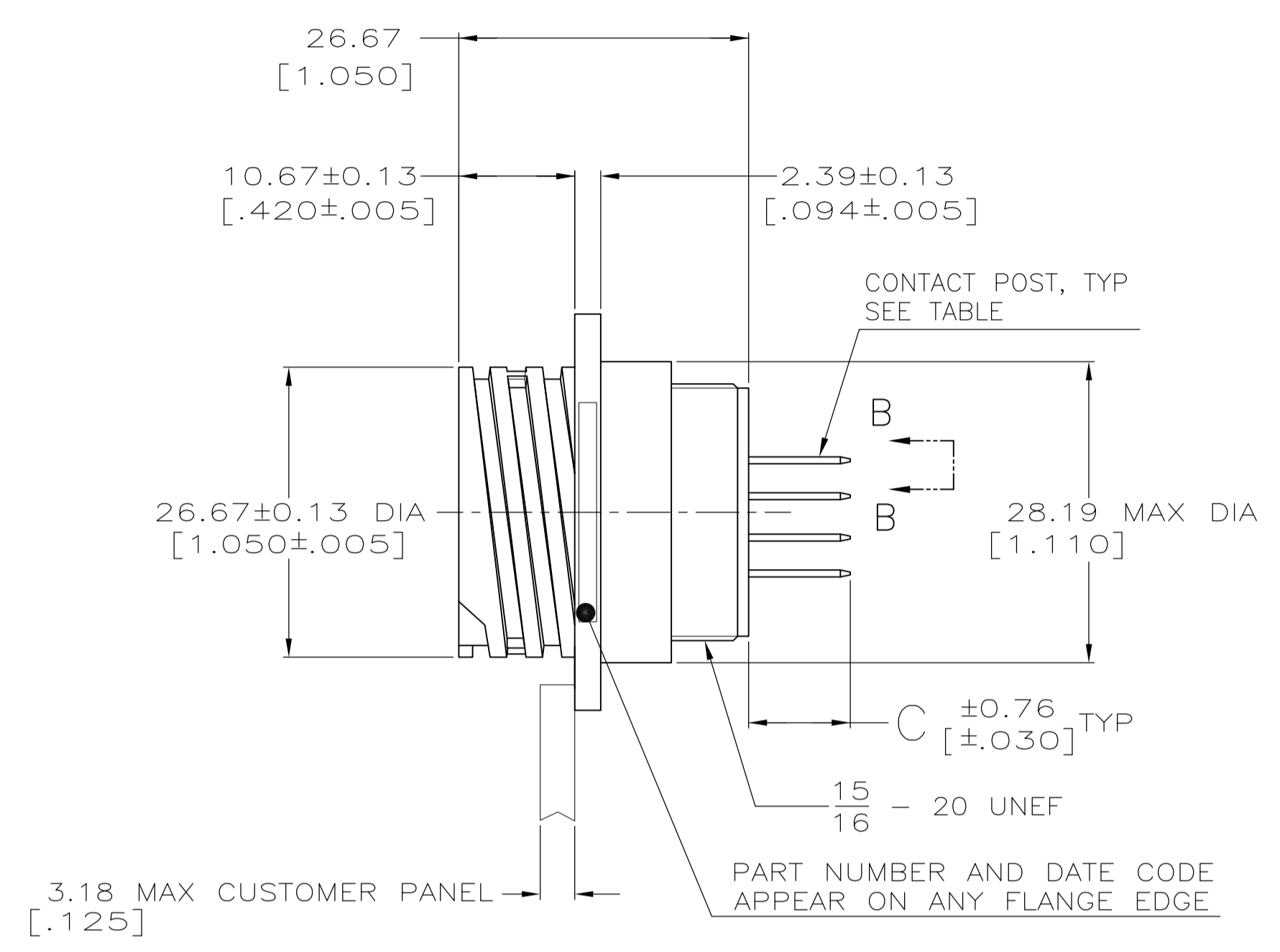
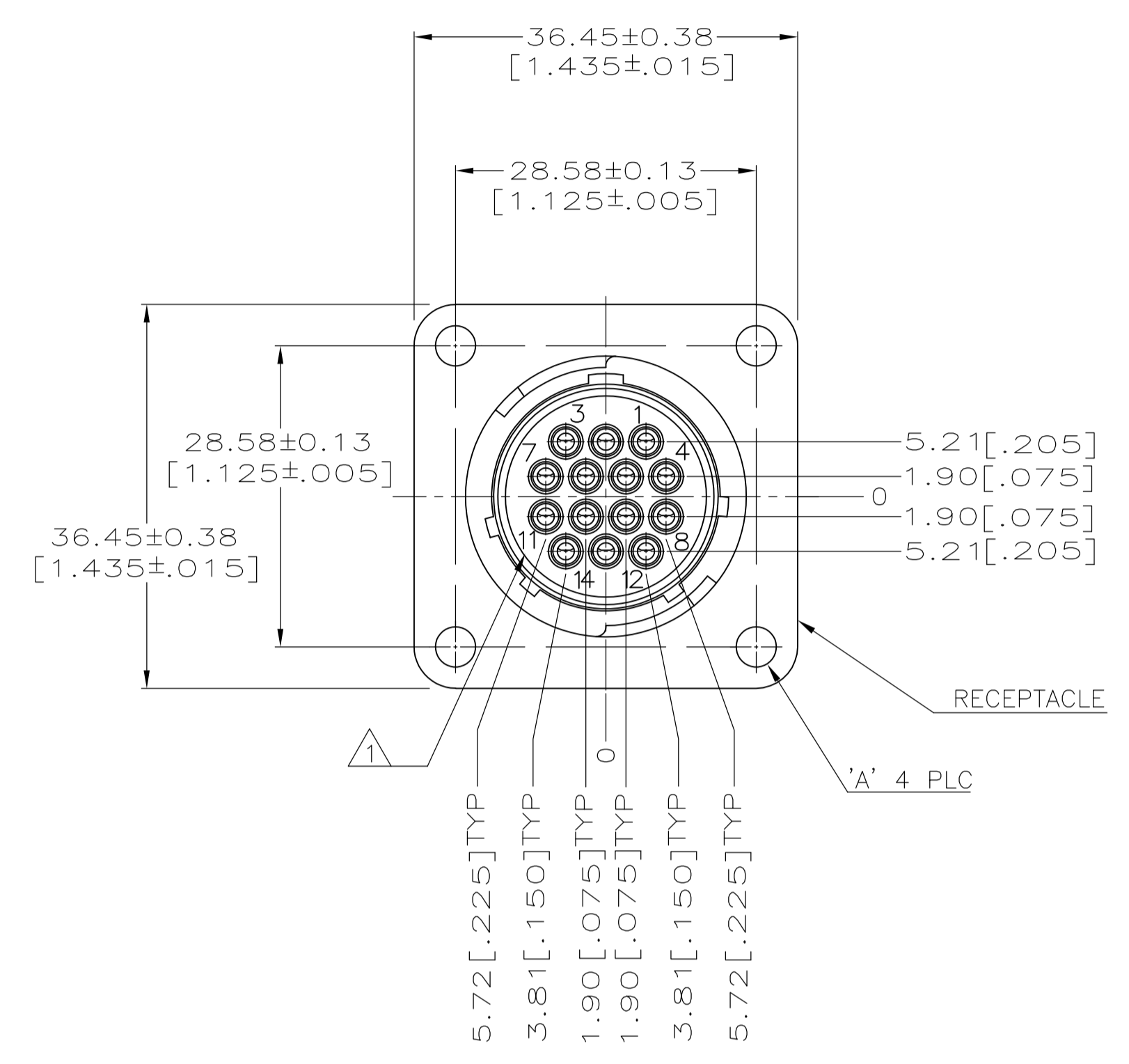
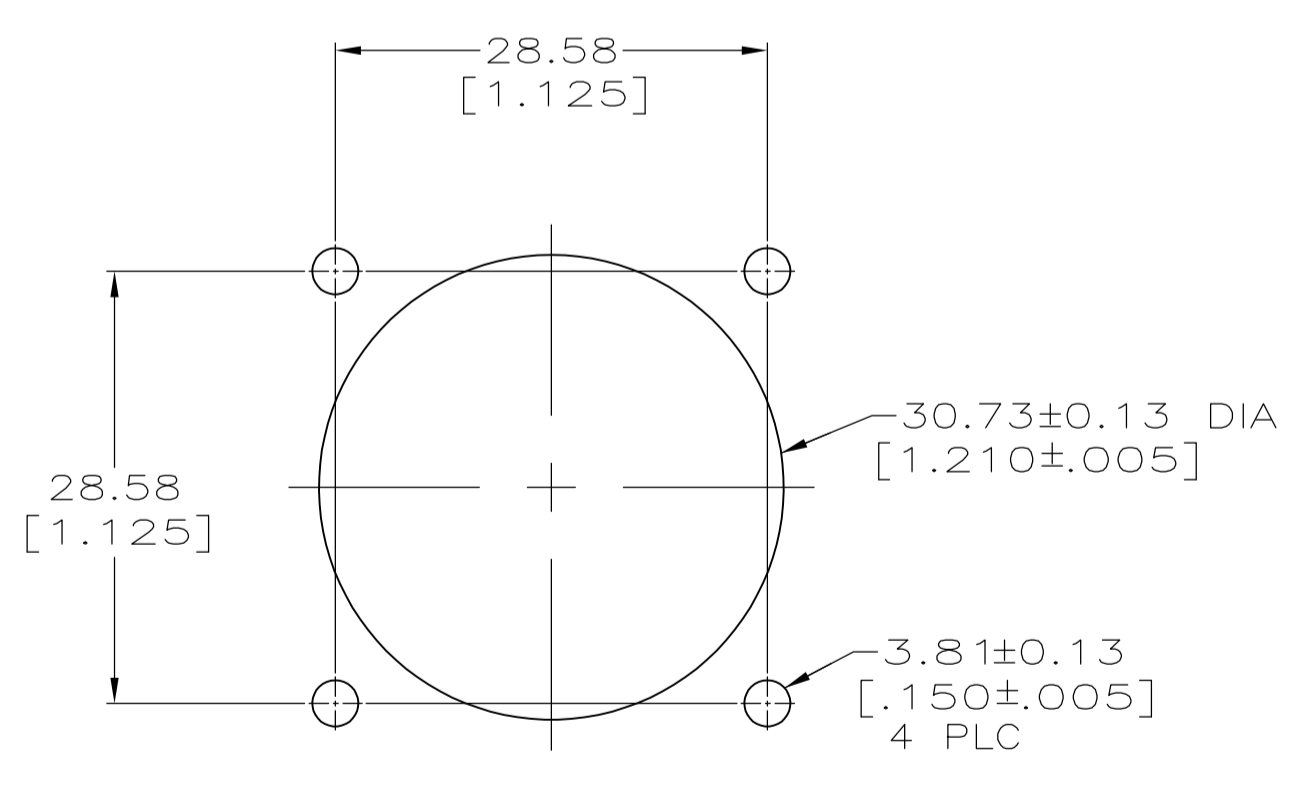


REVISIONS					
P	LTR	DESCRIPTION	DATE	DMN	APVD
G3		REVISED PER ECO-14-013067	27AUG2014	NK	MZ
H		REVISED PER ECO-17-004657	05APR2017	RS	MZ



RECOMMENDED P.C. BOARD LAYOUT



RECOMMENDED PANEL CUTOUT

- 1 CAVITY IDENTIFICATION CHARACTERS ON FRONT AND REAR FACE.
- 2 NYLON, UL 94V-0 RATED, BLACK.
- 3 CONTACT BODY: 0.76um[.000030] MIN GOLD FOR LENGTH OF 5.08[.200] MIN FROM MATING END, WITH REMAINDER TO BE GOLD FLASH, BOTH OVER 1.27um[.000050] MIN NICKEL. CONTACT POST: 2.54um[.000100] MIN TIN-LEAD OVER 2.54um[.000100] MIN COPPER.
- 4 CONTACT BODY: 2.54um[.000100] MIN TIN-LEAD OVER 1.27um[.000050] MIN NICKEL. CONTACT POST: 2.54um[.000100] MIN TIN-LEAD OVER 2.54um[.000100] MIN COPPER.
- 5 CONTACT BODY: 0.76um[.000030] MIN GOLD FOR LENGTH OF 5.08[.200] MIN FROM MATING END, WITH REMAINDER TO BE GOLD FLASH, BOTH OVER 1.27um[.000050] MIN NICKEL. CONTACT POST: 2.54um[.000100] MIN TIN OVER 2.54um[.000100] MIN COPPER.
- 6 CONTACT BODY: 2.54um[.000100] MIN TIN OVER 1.27um[.000050] MIN NICKEL. CONTACT POST: 2.54um[.000100] MIN TIN OVER 2.54um[.000100] MIN COPPER.
- 7 PRELIMINARY PART NUMBER.
- 8 OBSOLETE PARTS: OBSOLETE CIS STREAMLINING PER D.RENAUD/D.SINISI

7	OBSOLETE	11.35[.447]	4-40 UNC, INSERT, BRASS	5	1-213729-1
		14.22[.560]	4-40 UNC, INSERT, BRASS	5	1-213729-0
		9.35[.368]	3.81±0.08[.150±.003] DIA	5	213729-9
8	OBSOLETE	4.04[.159]	4-40UNC, INSERT, BRASS	6	213729-8
8	OBSOLETE	9.35[.368]	3.81±0.08[.150±.003] DIA	6	213729-7
		9.35[.368]	4-40UNC, INSERT, BRASS	5	213729-6
7	OBSOLETE	4.04[.159]	3.81±0.08[.150±.003] DIA	4	213729-5
8	OBSOLETE	4.04[.159]	4-40UNC, INSERT, BRASS	4	213729-4
8	OBSOLETE	9.35[.368]	3.81±0.08[.150±.003] DIA	4	213729-3
		9.35[.368]	4-40UNC, INSERT, BRASS	3	213729-2
		9.35[.368]	3.81±0.08[.150±.003] DIA	3	213729-1
		C	A	CONTACT FINISH	PART NUMBER

THIS DRAWING IS A CONTROLLED DOCUMENT. W.G.LENKER 12-3-91, R.STONE 12-11-91

STE TE Connectivity

RECEPTACLE ASSEMBLY, POSTED, SERIES 1, REVERSE SEX, CPC

PRODUCT SPEC: 108-10024

APPLICATION SPEC: 114-10004

SIZE: A1, CAGE CODE: 00779, DRAWING NO: 213729

WEIGHT: -

CUSTOMER DRAWING, SCALE: 2:1, SHEET: 1 OF 1, REV: H

## X-ON Electronics

Largest Supplier of Electrical and Electronic Components

*Click to view similar products for [Standard Circular Connector](#) category:*

*Click to view products by [TE Connectivity](#) manufacturer:*

Other Similar products are found below :

[5M2530B10P](#) [600259N006](#) [600273N007](#) [6134-336-13149](#) [6134-337-11149](#) [6134-337-2390](#) [6134-341-17149](#) [6280-4SG-516](#) [6280-7SG-3DC](#)  
[6290](#) [6291A](#) [66200A-10](#) [680-SMG](#) [681-PMG](#) [CXS3102A14S2P](#) [CXS3102A181S](#) [7251-5SG-300](#) [7271-6SG-300](#) [7282-3PG-300-CH3](#) [75-](#)  
[474618-01S](#) [75-474618-04P](#) [75-474618-04S](#) [799539-000](#) [MI8-SE](#) [805-005-07NF11-19PC](#) [805-005-07NF15-7PA](#) [8280-4PG-516](#) [8280-7PG-](#)  
[519](#) [8282-5PG-519](#) [836783-1](#) [MP-4102-25P-C](#) [862256-1](#) [864019-2](#) [866857-1](#) [867865-1](#) [PT01SP-14-18P](#) [PT08P-14-5S](#) [PTSF06SE-14-12S](#)  
[120-1833-000](#) [QCM019PC2DC012B](#) [1-2069279-1](#) [121583-0217](#) [121667-0020](#) [129591AU](#) [1000B BULK](#) [RD10A16-19-P6CS051/1](#)  
[RD10A20-31-P8CS051/1](#) [RD16A14-12-S6CS051/2](#) [1301240290](#) [1301240347](#) [1301860202](#)