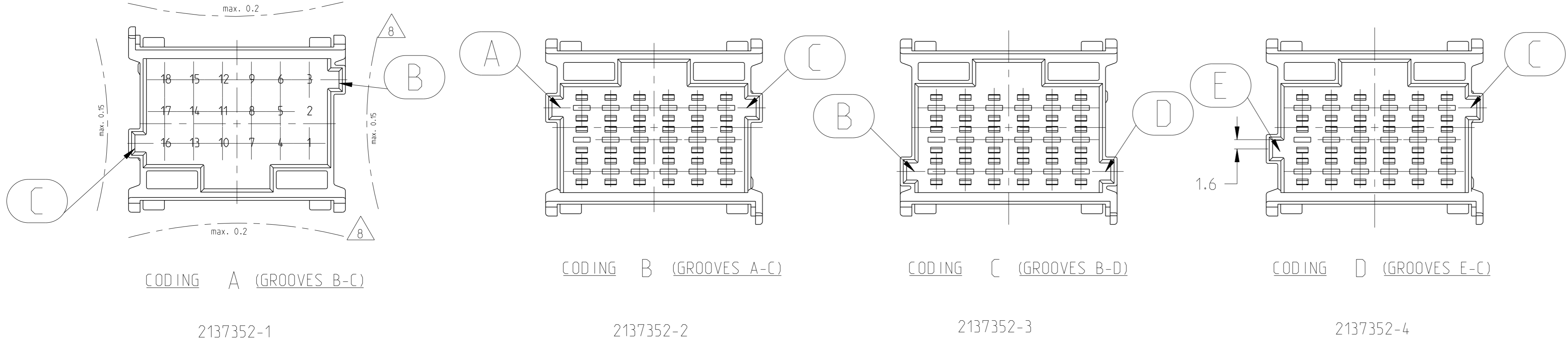
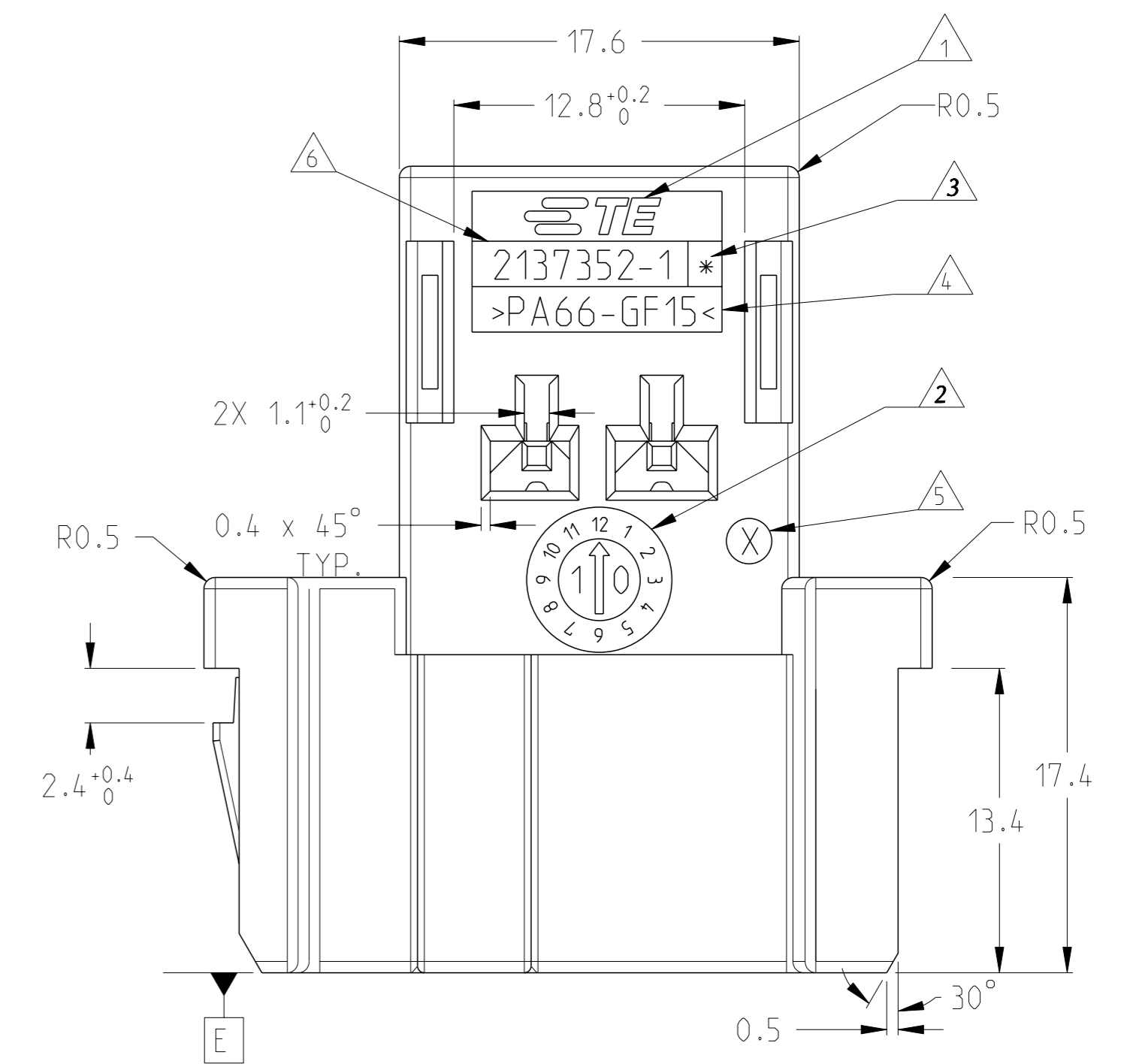


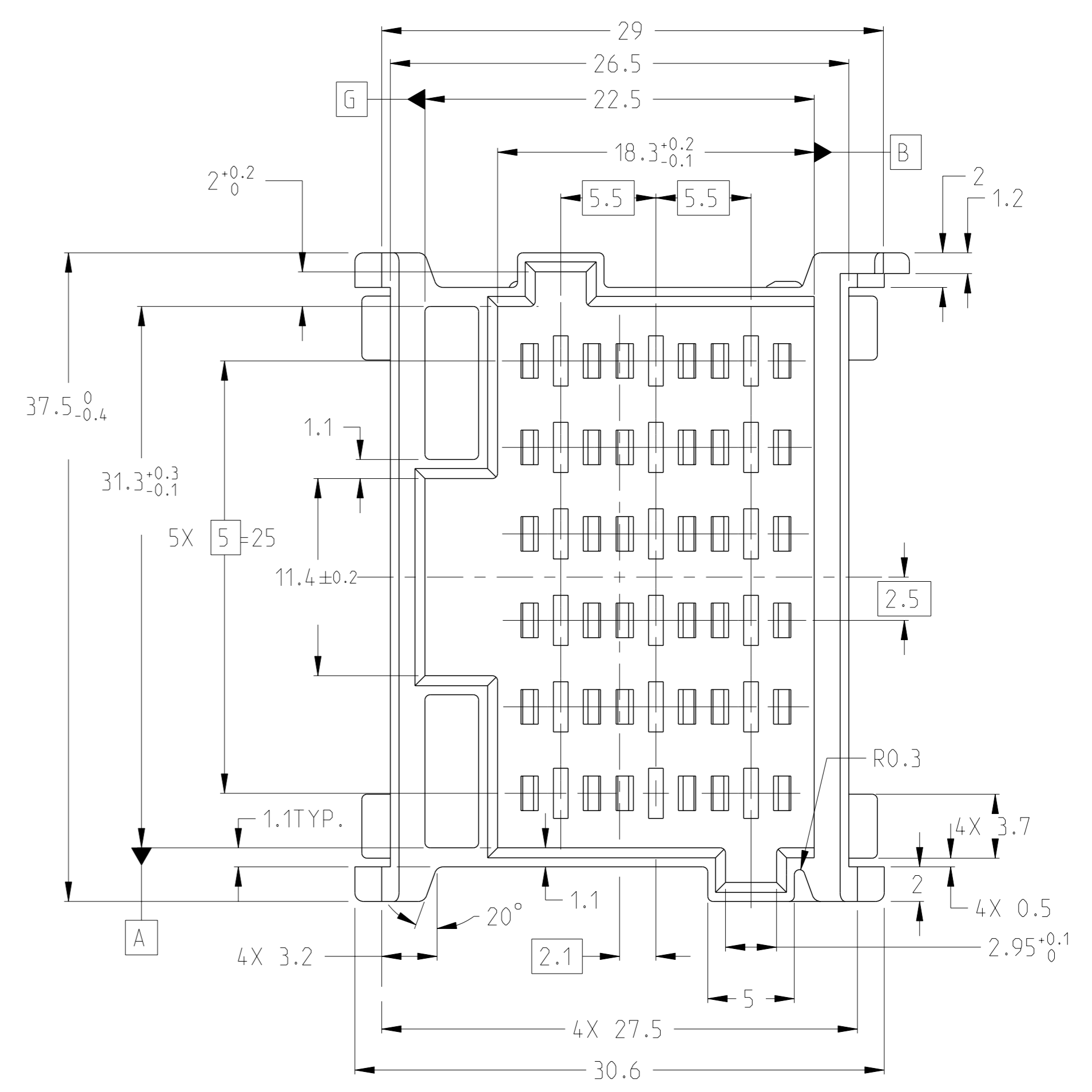
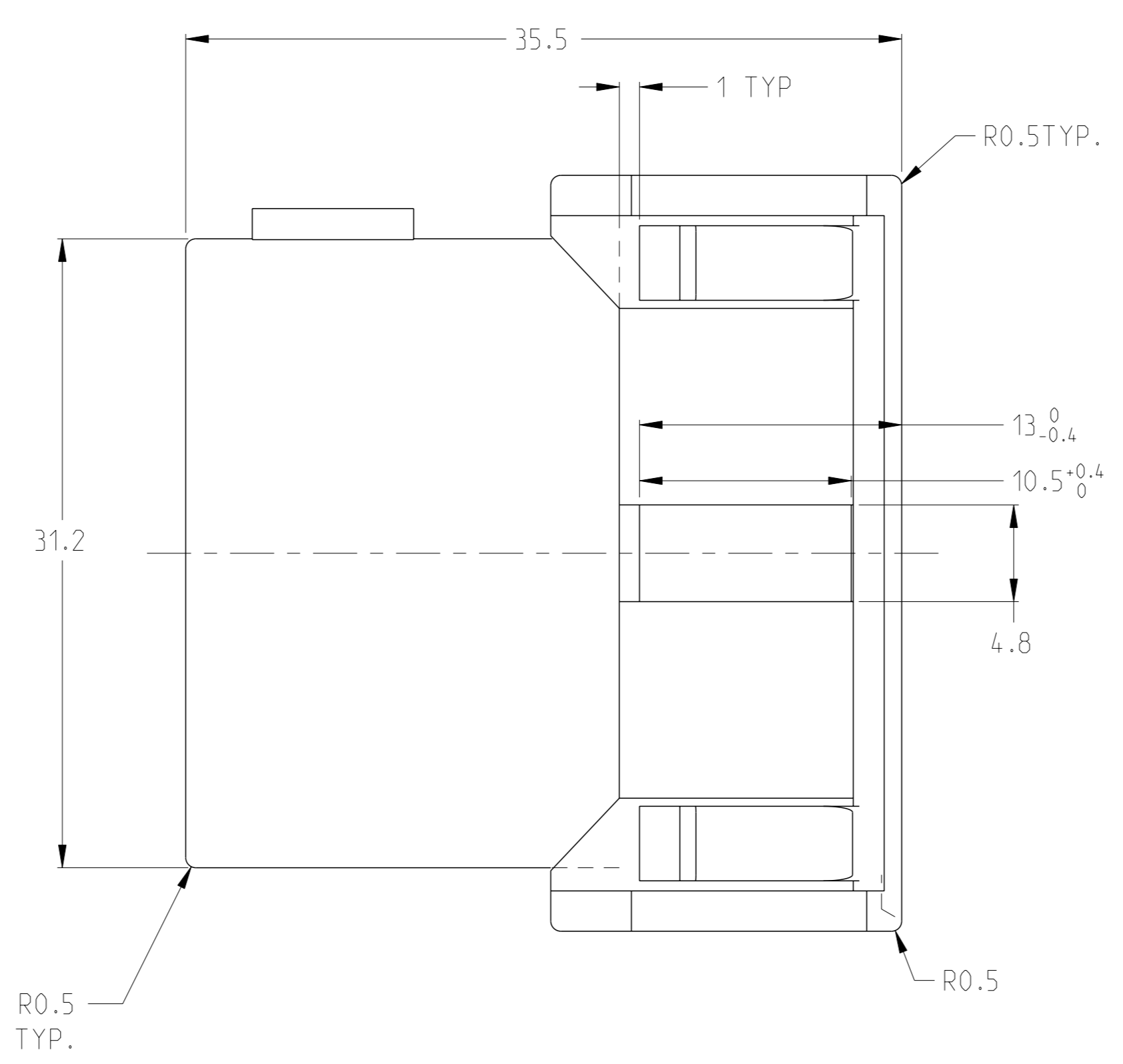
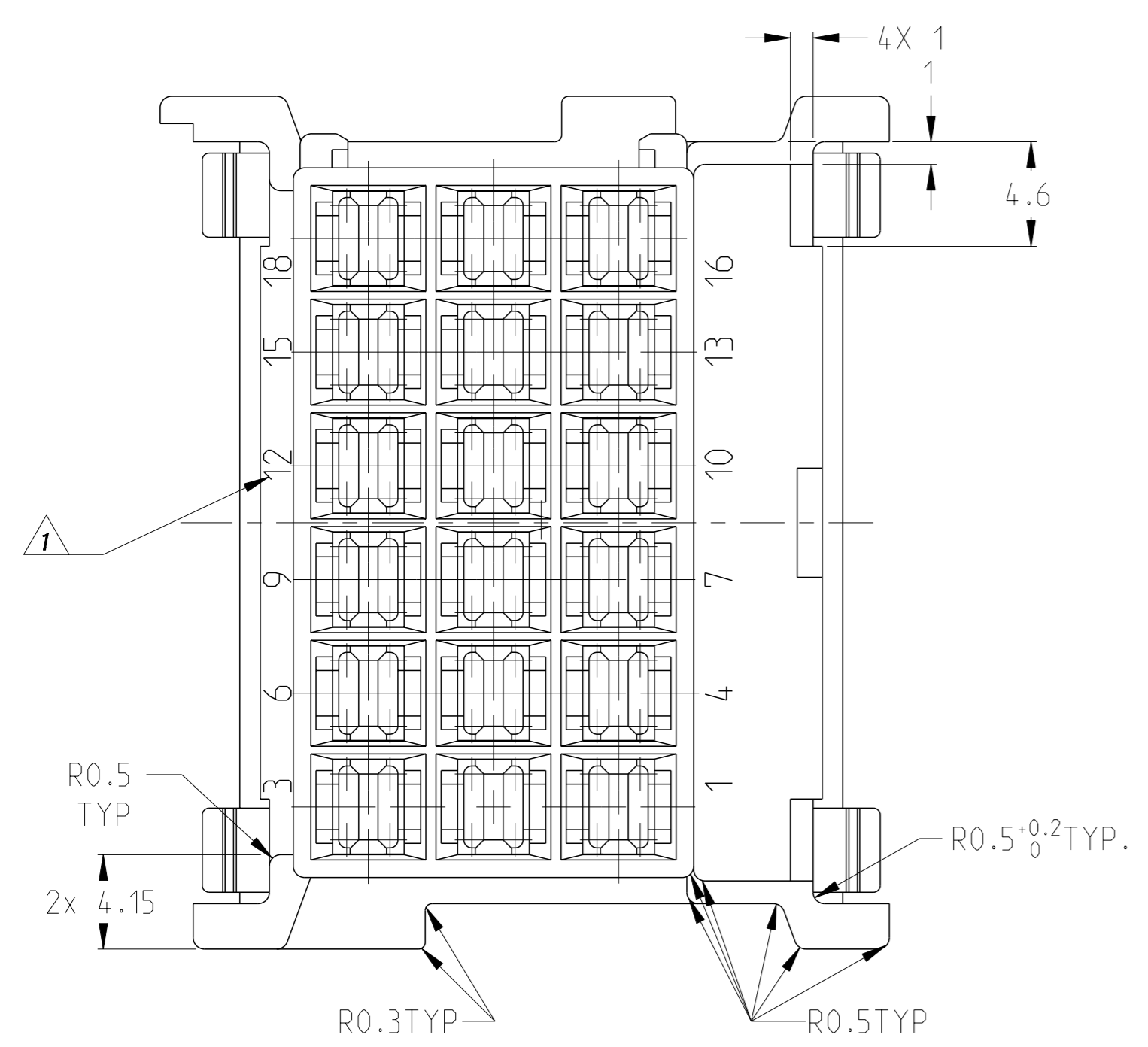
SCALE 2:1
PIN POSITION NUMBERING
(CAVITIES NOT SHOWN)



REVISIONS				
#	CL#	DESCRIPTION	DATE	OWN / APVD
A		RELEASED	-	HX -
B		REVISED ECR-17-018363	31OCT2017	Z.L I.Y
B1		REVISED ECR-19-006325	26APR2019	N.S I.Y



2137352-1 AS SHOWN

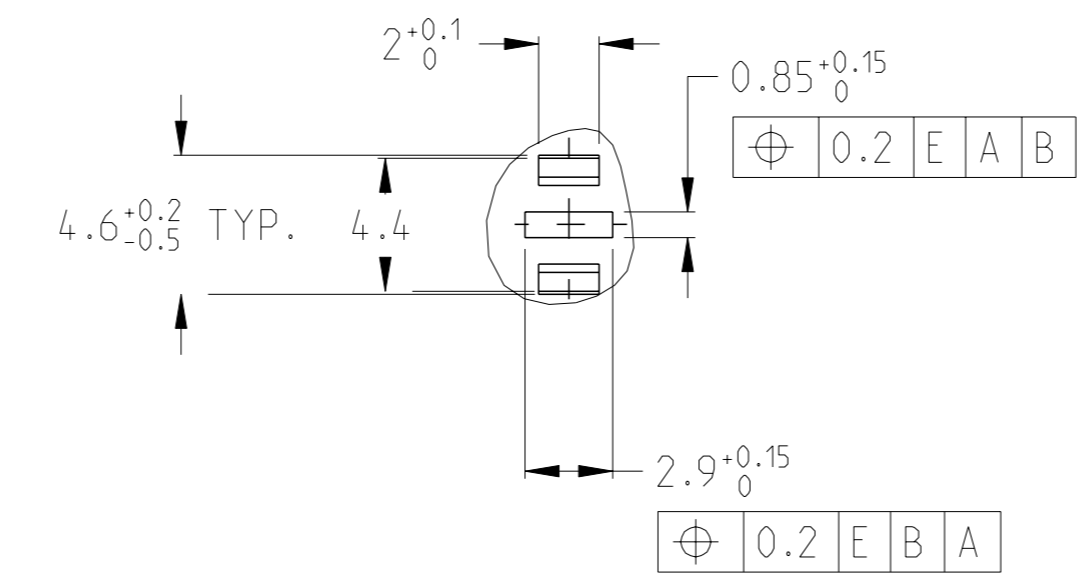
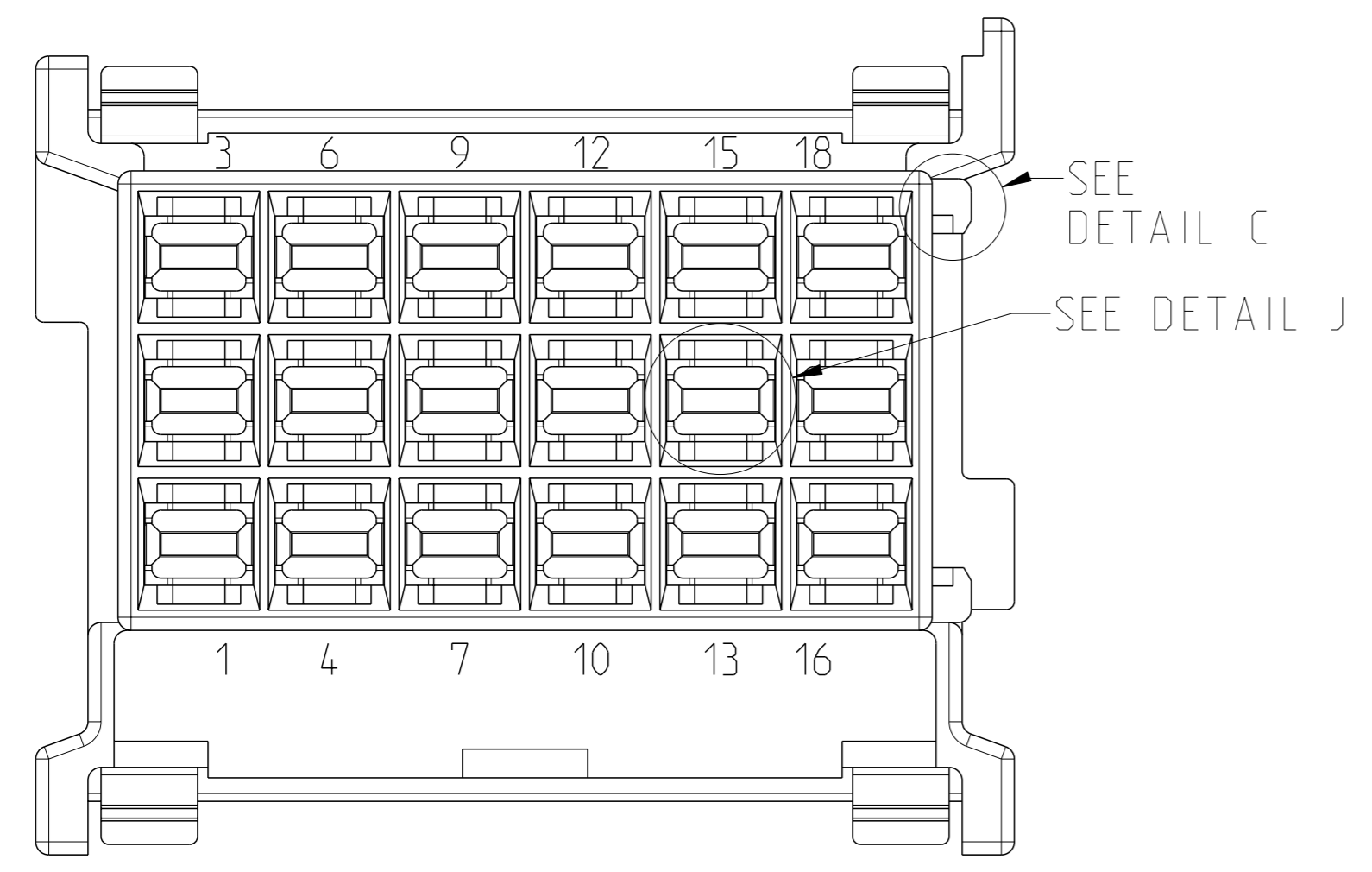
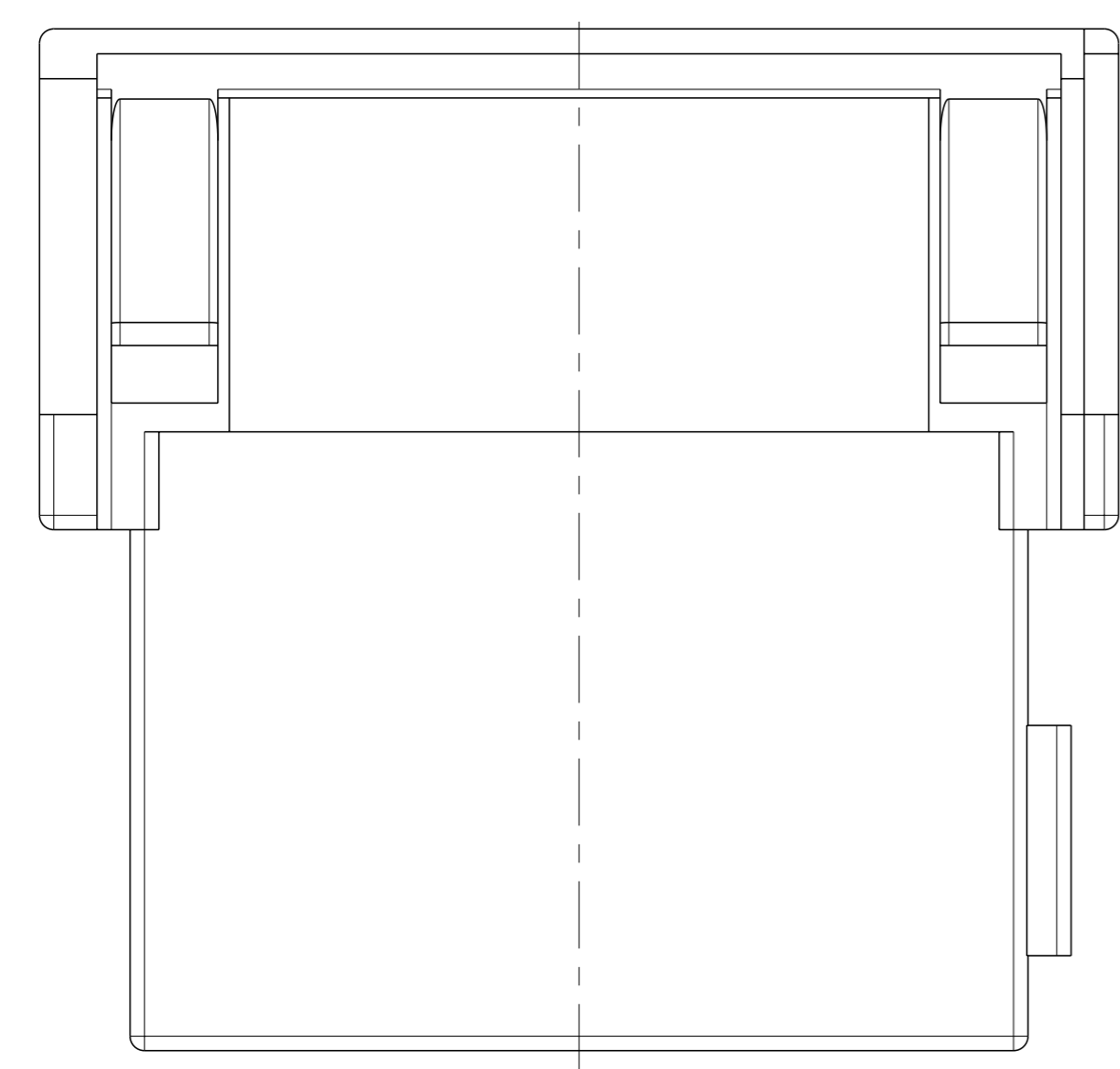
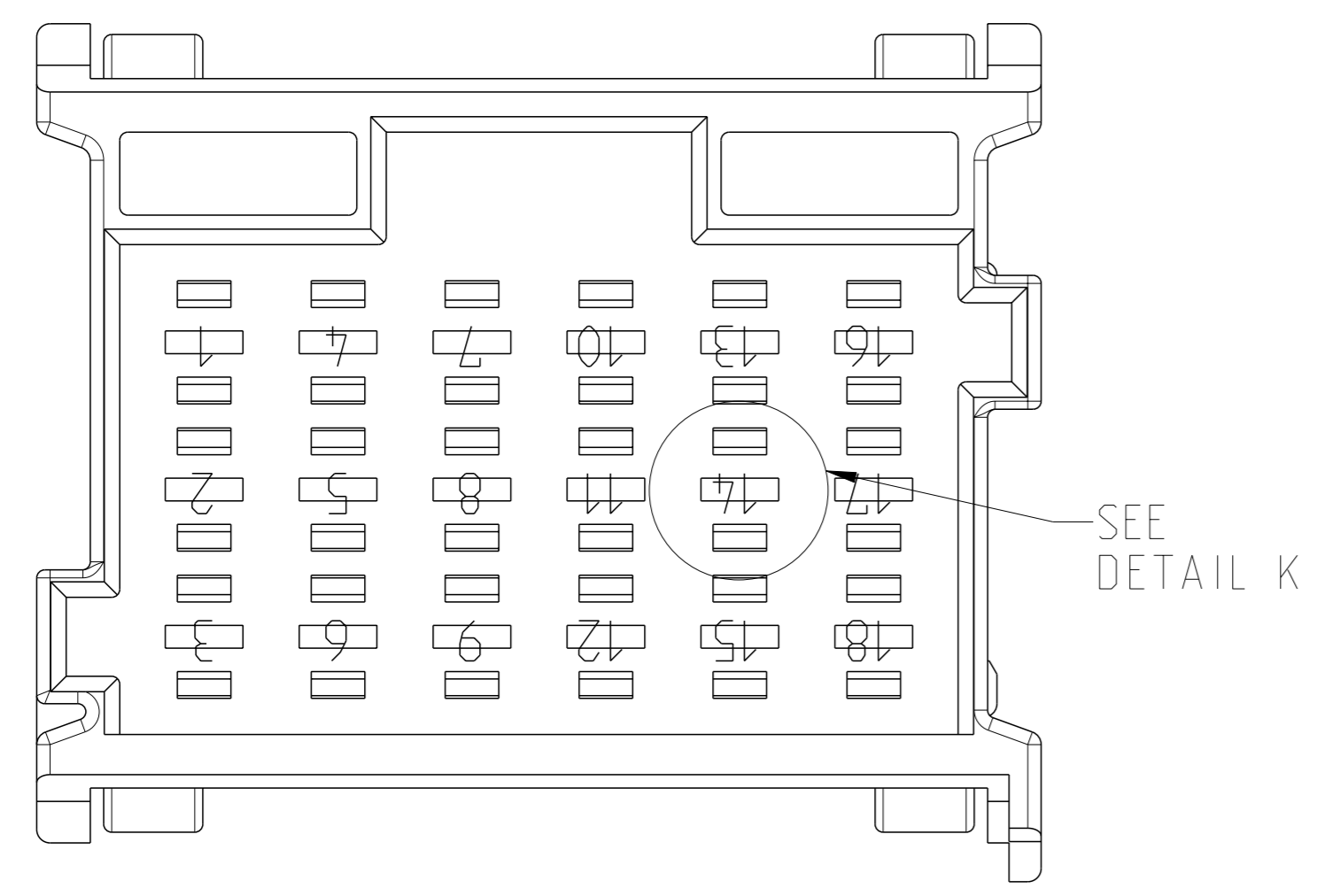


THIS DRAWING IS A CONTROLLED DOCUMENT.

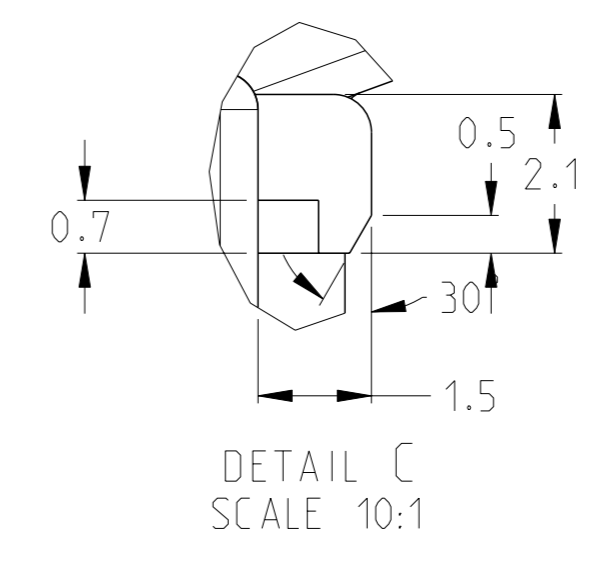
DIMENSIONS:	TOLERANCES UNLESS OTHERWISE SPECIFIED:	OWN: H.XU 04SEPT12	CHK: Z.ZHOU 15NOV12	APVD: W.YUAN 15NOV12
mm	0 PLC ± 2 M/C ± 3 P/C ± 4 P/C ± ANGLES ±0°	NAME: AMP-MCP 2.8mm TAB HOUSING, 18POS		
MATERIAL: SEE TABLE	SIZE: 116-101014	WEIGHT: 9.54g	CAGE CODE: 00779	DRAWING NO: 2137352
CUSTOMER DRAWING				RESTRICTED TO: -

SCALE 4:1 SHEET 1 OF 2 REV B1

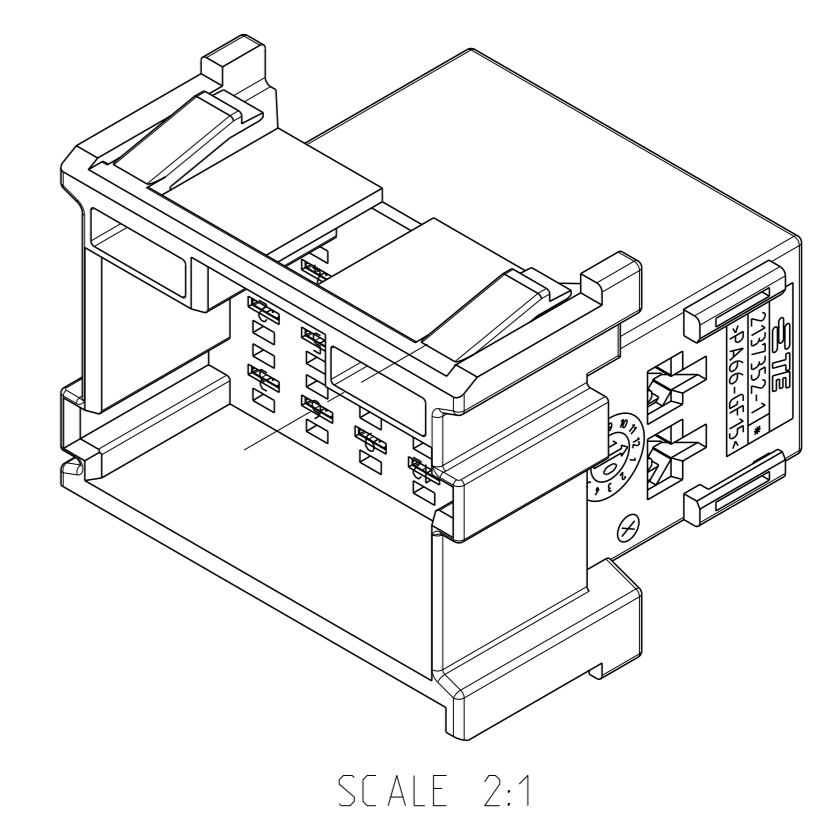
REVISIONS				
REV	DATE	DESCRIPTION	OWN	APVD
-	-	SEE SHEET 1	-	-



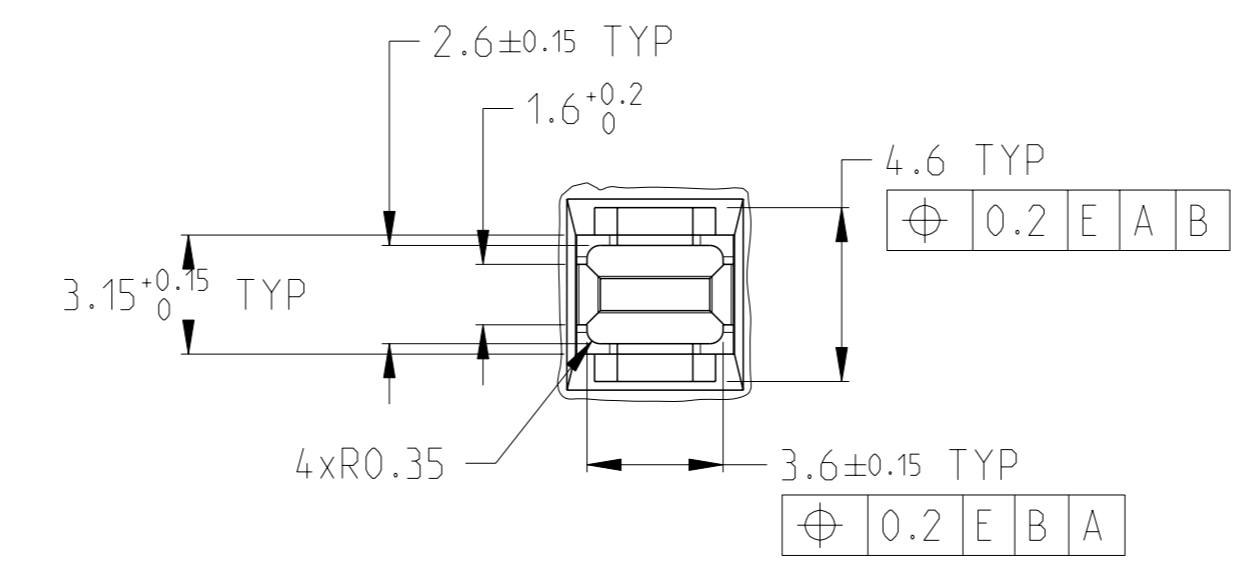
DETAIL K
SCALE 5:1



DETAIL C
SCALE 10:1



SCALE 2:1



DETAIL J
SCALE 5:1

NOTE:

- 1 TE LOGO.
- 2 MAKING DATE.
- 3 PART REVISION.ACTURAL STATUS ACC.TO TABLE
- 4 MATERIAL-MAKING ACCORDING TO VDA 260.EXCHANGEABLE
- 5 CAVITY MARK.
- 6 TE PART NUMBER
- 7 BURRS PERMITTED <=0.2MM
- 8 MAX.W ARPAGE PERMITTED AS SHOWN
- 9. BURRS PERMITTED <=0.5MM
- 10. GENERAL TOL:±0.2

B1

DESCRIPTION	COLOUR	WEIGHT	MATERIAL	TE P/N	PART REV	ITEM NO
TAB HOUSING, 18POS., CODING D	VIOLET	9.54g	PA6-GF15 2136830-1	1--4	A	8
TAB HOUSING, 18POS., CODING C	BLUE	9.54g	PA6-GF15 2136830-1	1--3	A	7
TAB HOUSING, 18POS., CODING B	WHITE	9.54g	PA6-GF15 2136830-1	1--2	A	6
TAB HOUSING, 18POS., CODING A	GREY	9.54g	PA6-GF15 2136830-1	1--1	A	5
TAB HOUSING, 18POS., CODING D	VIOLET	9.54g	PA66-GF15 705248-1	-4	B	4
TAB HOUSING, 18POS., CODING C	BLUE	9.54g	PA66-GF15 705248-1	-3	B	3
TAB HOUSING, 18POS., CODING B	WHITE	9.54g	PA66-GF15 705248-1	-2	B	2
TAB HOUSING, 18POS., CODING A	GREY	9.54g	PA66-GF15 705248-1	-1	B	1

THIS DRAWING IS A CONTROLLED DOCUMENT.		OWN: HL XU 04SEPT12	TE Connectivity	
DIMENSIONS: mm		CHK: Z. ZHOU 15NOV12		
TOLERANCES UNLESS OTHERWISE SPECIFIED:		APVD: W. YUAN 15NOV12	NAME: AMP-MCP 2.8mm TAB HOUSING, 18POS	
0 PLC ± 1 PLD ± 2 P/C ± 3 PLC ± 4 PLC ± ANGLES 10°		PRODUCT SPEC: 108-101234	SIZE: A1	
MATERIAL: SEE TABLE		APPLICATION SPEC: 114-101014	CAGE CODE: 00779	
		WEIGHT: 9.54g	DRAWING NO: 2137352	
		CUSTOMER DRAWING	SCALE: 4:1 SHEET 2 OF 2 REV B1	

X-ON Electronics

Largest Supplier of Electrical and Electronic Components

Click to view similar products for [Automotive Connectors](#) category:

Click to view products by [TE Connectivity](#) manufacturer:

Other Similar products are found below :

[003-018-000](#) [60993906-B](#) [72.330.1035.1](#) [F358300-B](#) [F407400](#) [776880-1](#) [827153-1](#) [8N1515-32-24P](#) [9-1326729-8](#) [925474-1](#) [928905-1](#)
[964562-4](#) [968782-1](#) [98891-1012](#) [12004475-L](#) [12041318-B](#) [12052466](#) [12015909](#) [1-21030-1](#) [12041318](#) [12047957](#) [12185550](#) [12336-12](#)
[12147304](#) [1-326211-1](#) [13681974](#) [13783086](#) [13832576](#) [13542772](#) [13675513](#) [1428188-1](#) [1437287-3](#) [1428188-2](#) [DS07-19S-5020](#) [1456983-5](#)
[1456987-7](#) [APD-7CP-H](#) [APK-SB25A10L](#) [1452931-2](#) [15336198](#) [15491972](#) [15305306](#) [15396680](#) [15425613](#) [15518544](#) [15522351](#) [1719636-1](#)
[172190-2](#) [172190-5](#) [192900-0402](#)