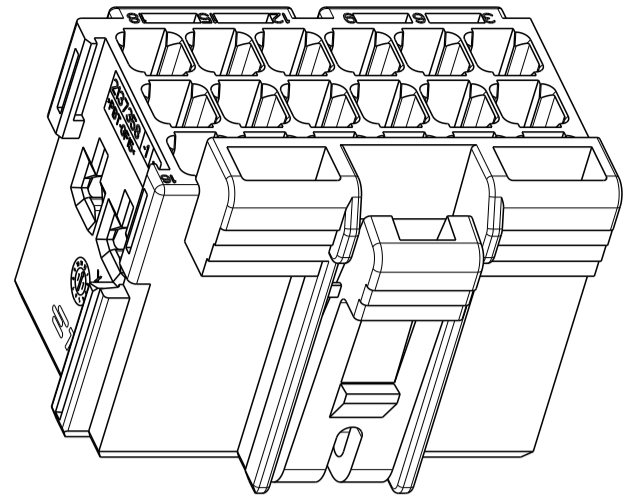
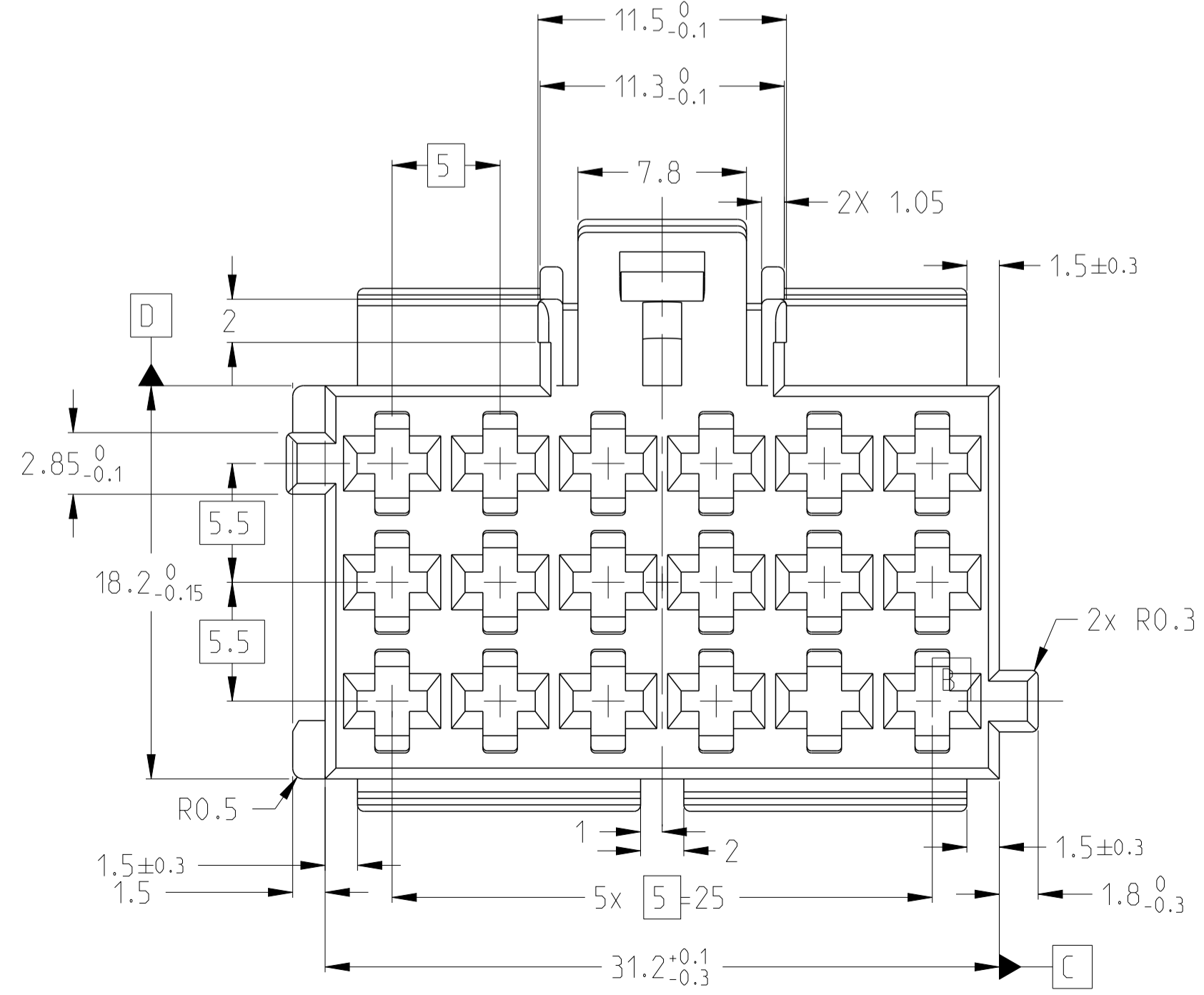
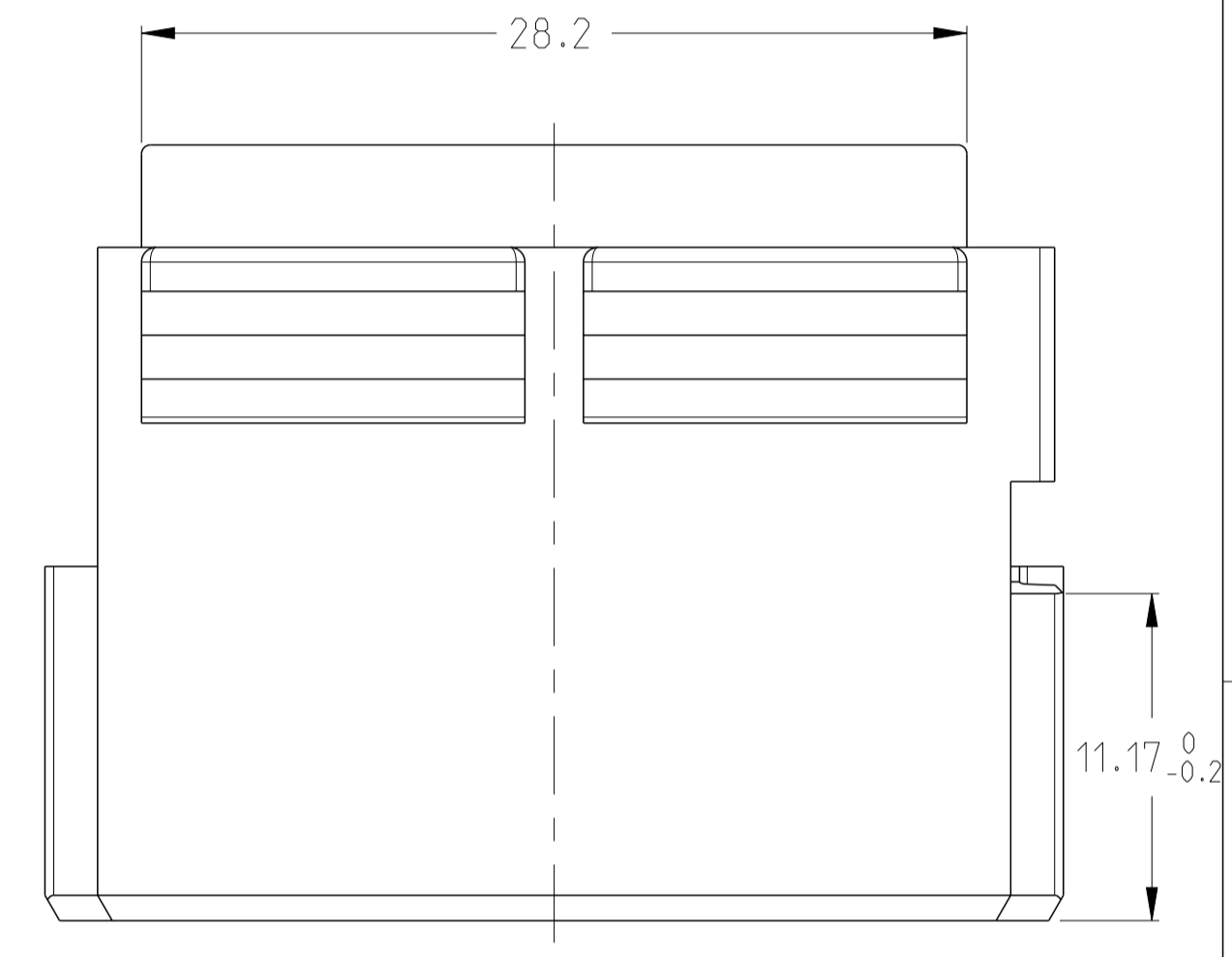
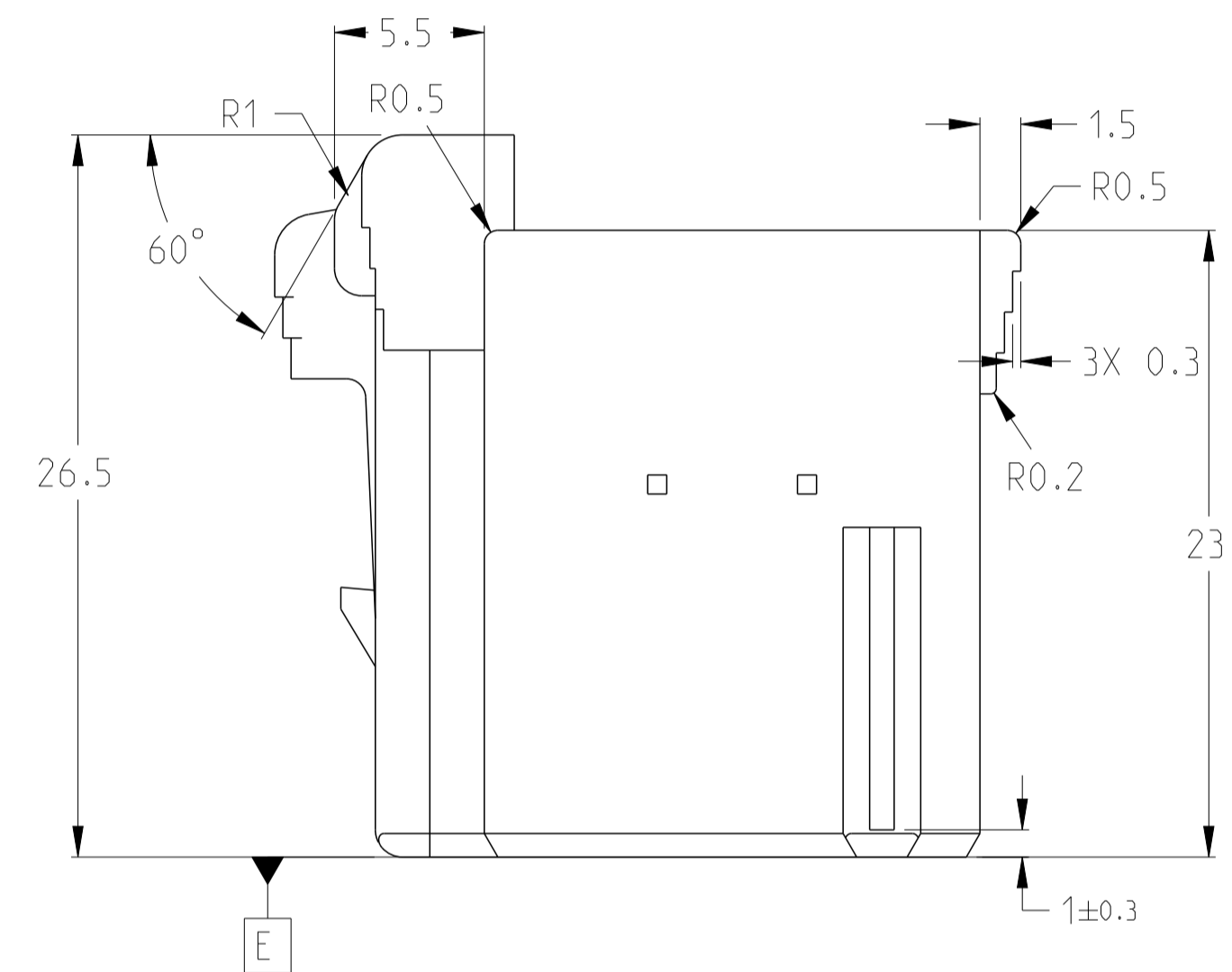
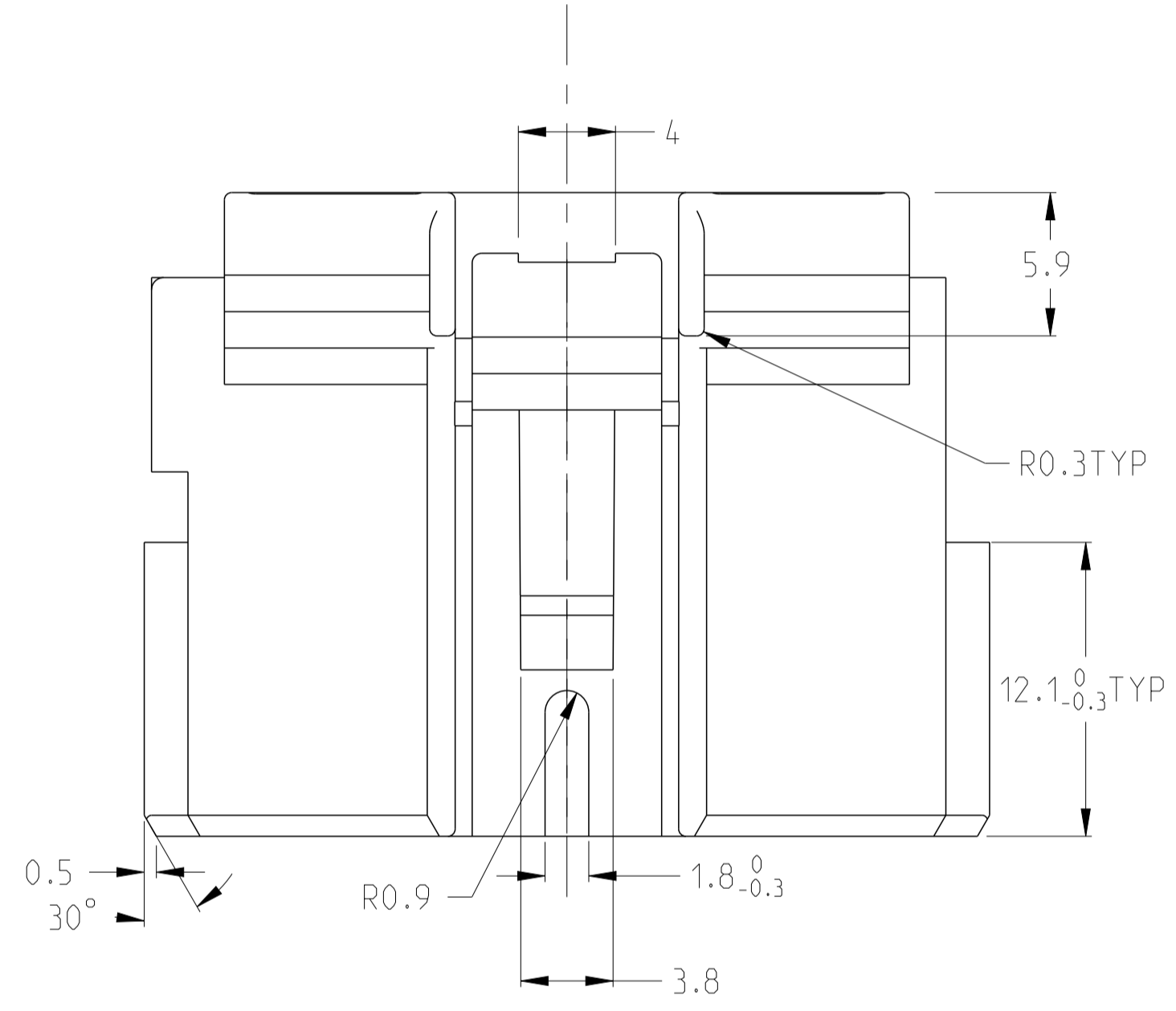
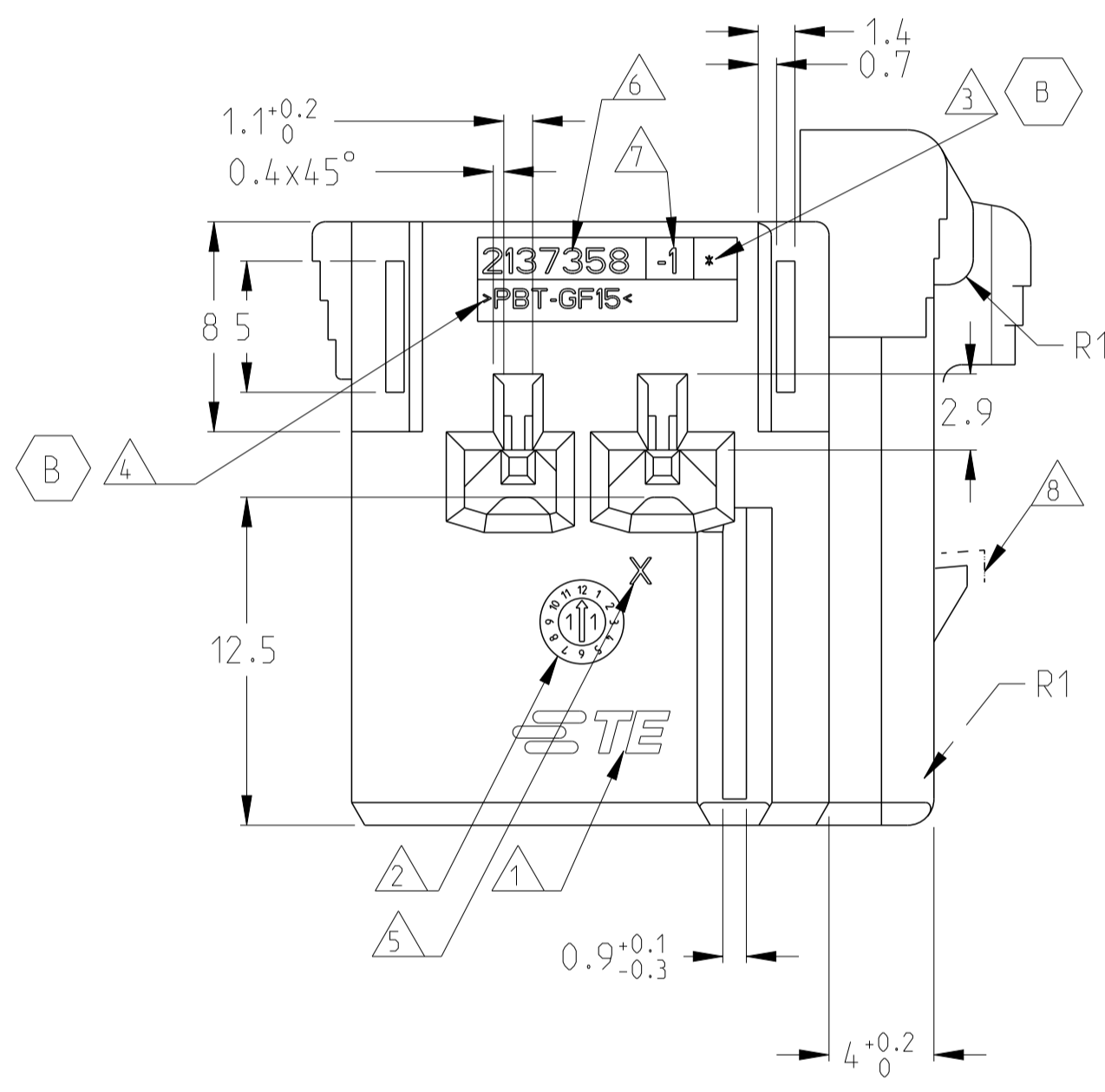
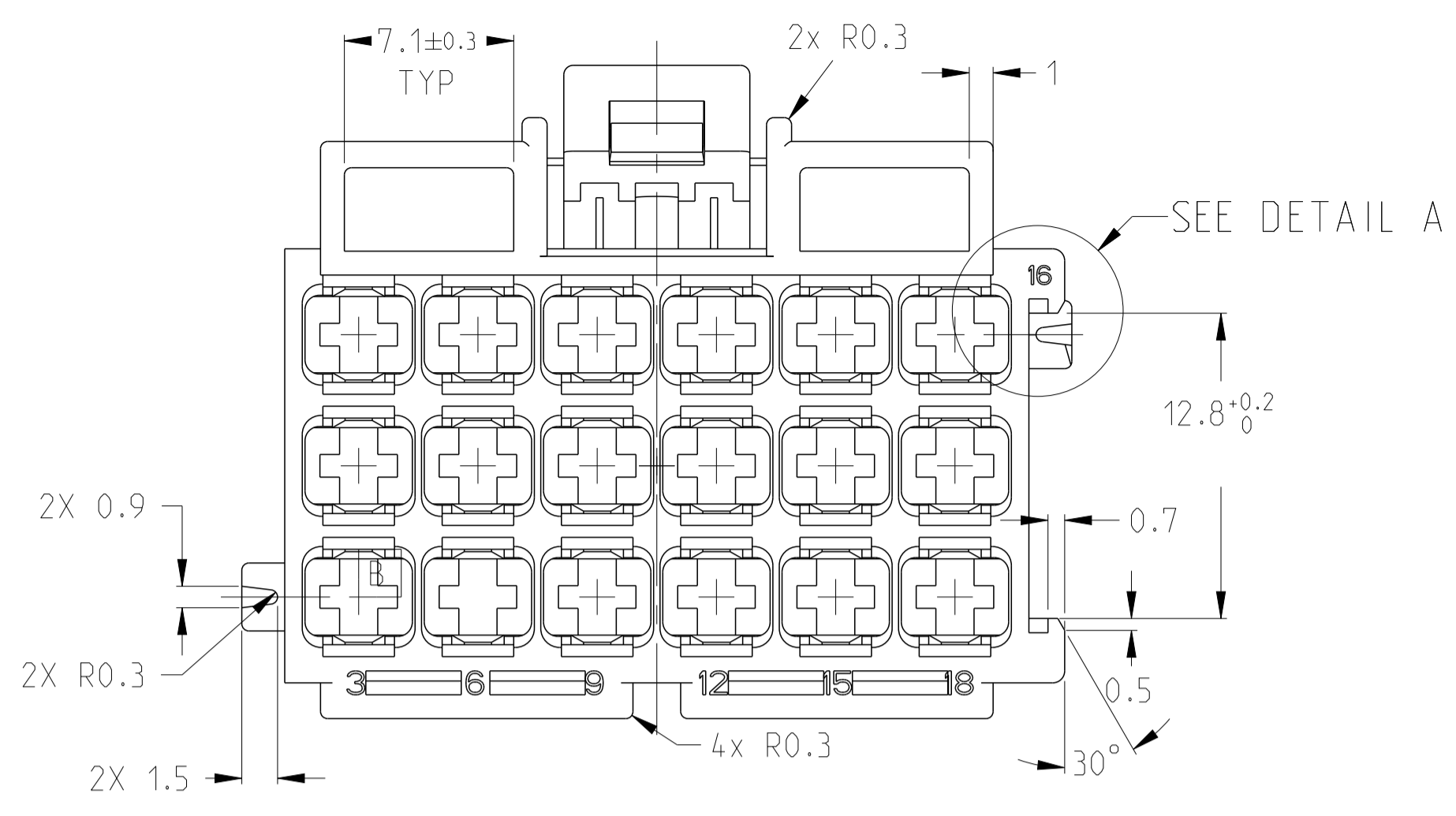


REVISIONS				
P	LTM	DESCRIPTION	DATE	APVD
A		RELEASED	-	HX -
B		REVISED ECR-17-018365	31OCT2017	Z.L I.Y

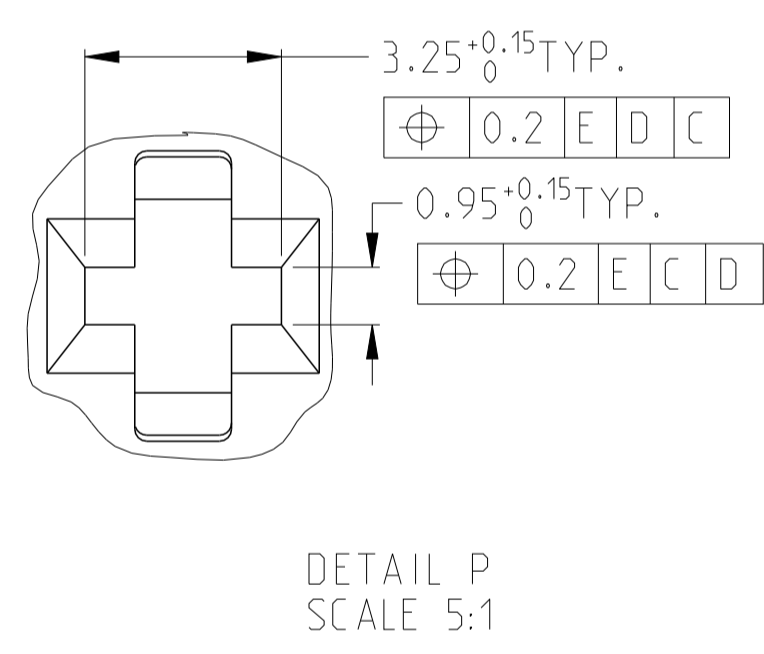
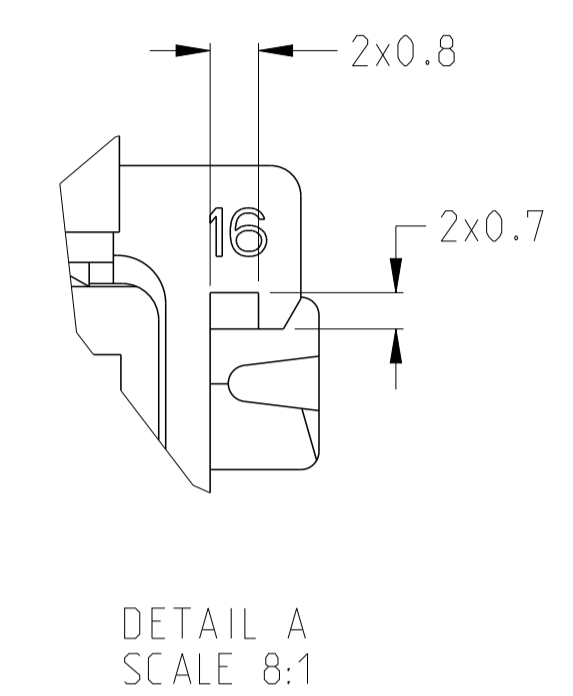
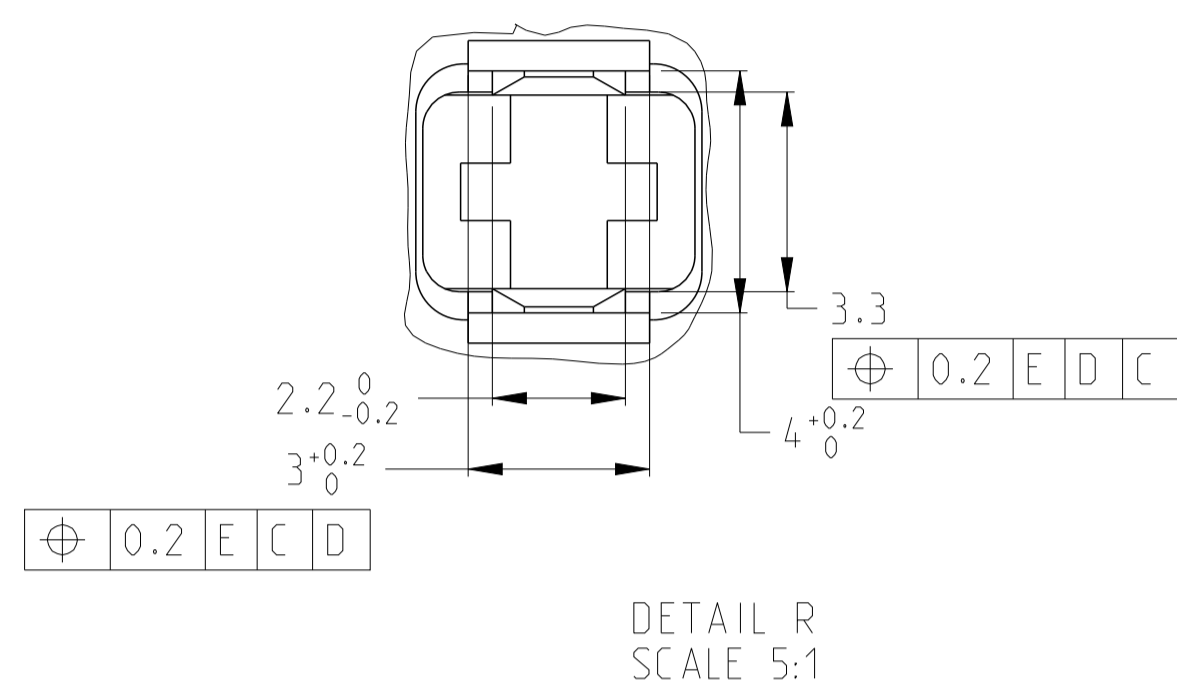
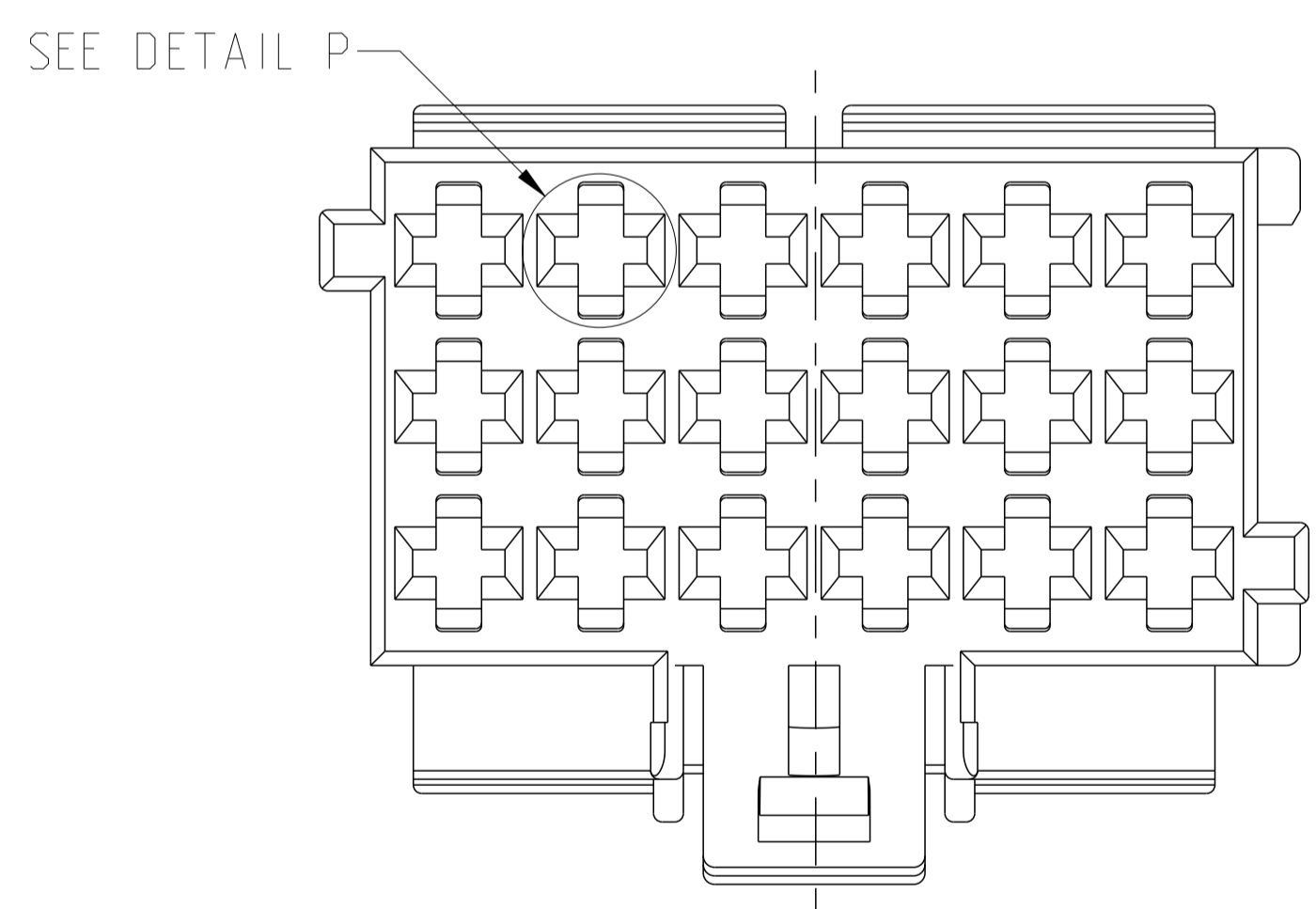
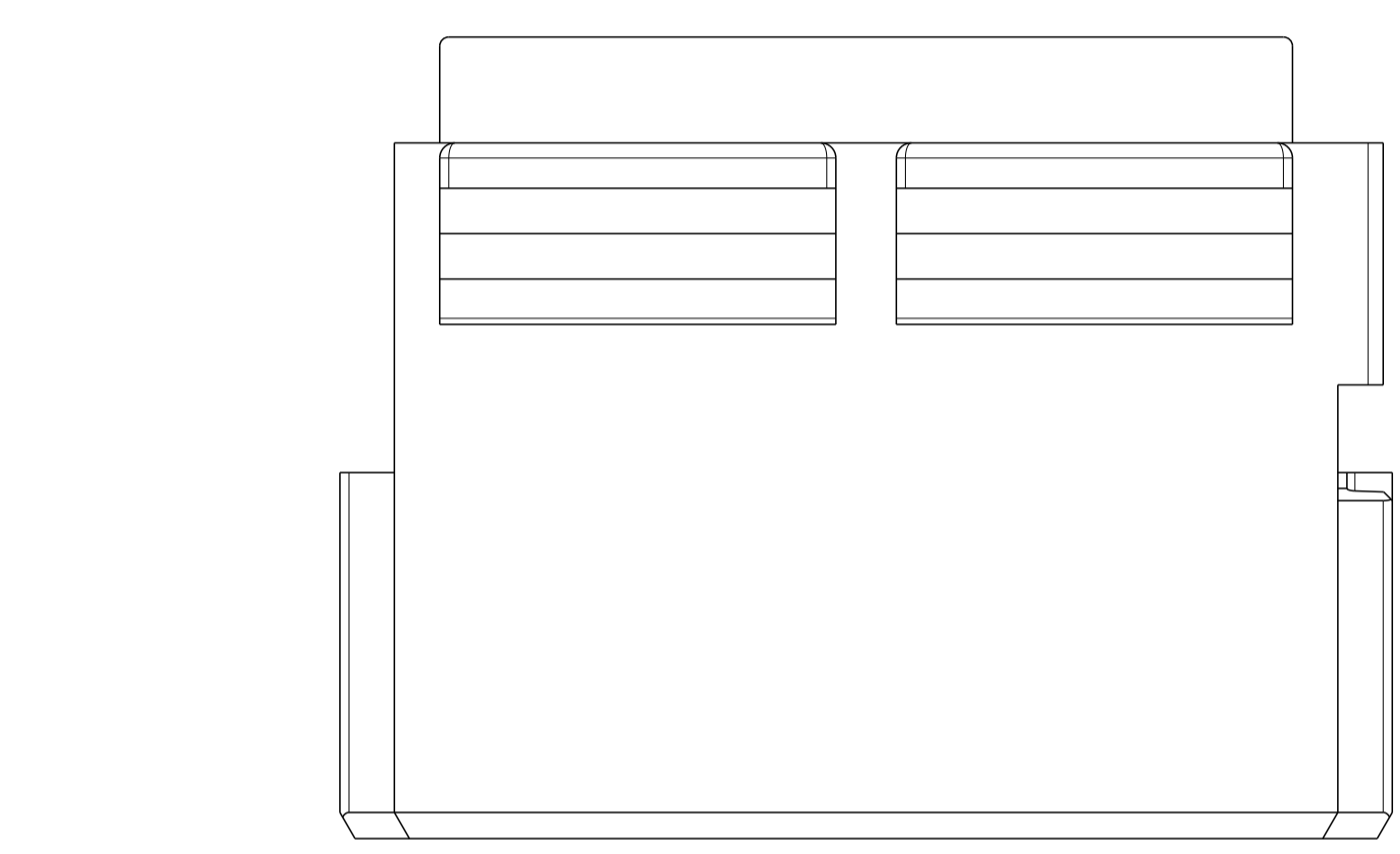
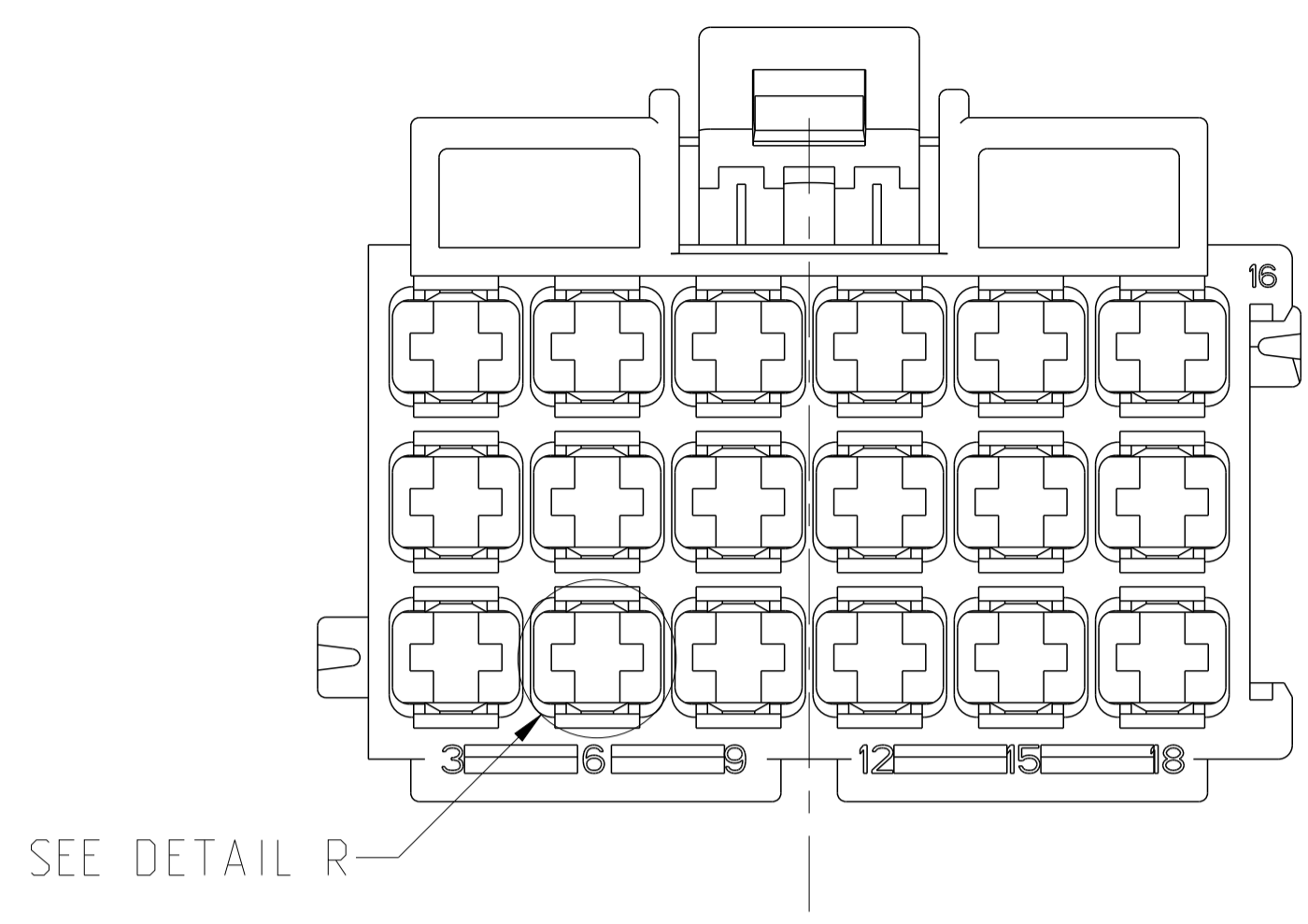


SCALE 2:1



THIS DRAWING IS A CONTROLLED DOCUMENT.		OWN: H.XU 04SEPT12	TE Connectivity
DIMENSIONS: mm		CHK: Z.ZHOU 15NOV12	
TOLERANCES UNLESS OTHERWISE SPECIFIED:		APVD: W.YUAN 15NOV12	NAME: AMP-MCP 2.8mm RECEPTACLE HOUSING .18POS PRODUCT SPEC: 108-101234 APPLICATION SPEC: 116-101014
0-PLC ± 1-PLC ± 2-PLC ± 3-PLC ± 4-PLC ± ANGLES ±0° FINISH		SIZE: 116-101014 WEIGHT: 9.516g CUSTOMER DRAWING	
MATERIAL: PBT-GF15 1573359-4		CAGE CODE: 00779 DRAWING NO: 2137358	RESTRICTED TO: - SCALE: 4:1 SHEET: 1 OF 2 REV: B

REVISIONS				
P	LTN	DESCRIPTION	DATE	APVD
-	-	SEE SHEET 1	-	-



- NOTE:
- 1. TE LOGO.
  - 2. MAKING DATE.
  - 3. PART REVISION, ACTUAL STATUS ACC. TO TABLE
  - 4. MATERIAL-MAKING
  - 5. CAVITY MARK.
  - 6. TE PART NUMBER
  - 7. EXCHANGABLE
  - 8. BURRS PERMITTED <= 0.2MM
  - 9. GENERAL TOL: ±0.2
  - 10. BURRS PERMITTED <= 0.5MM

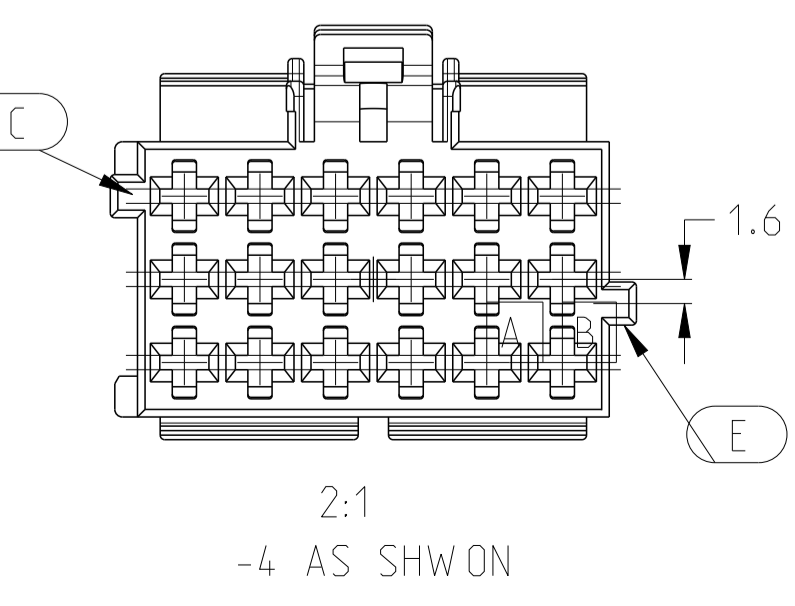
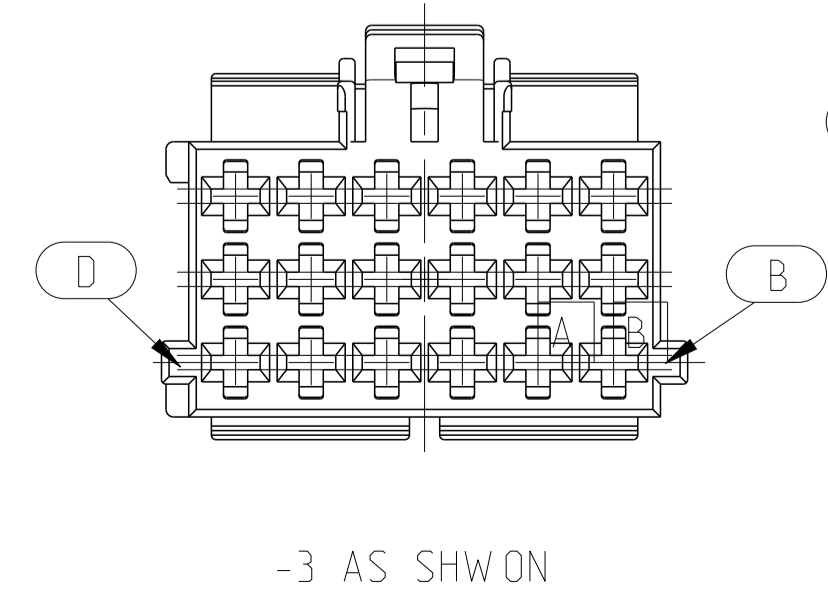
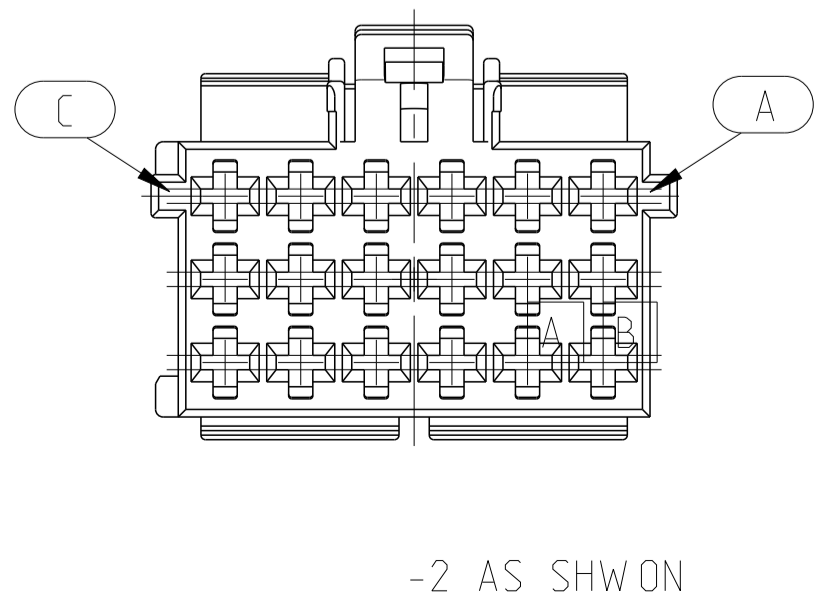
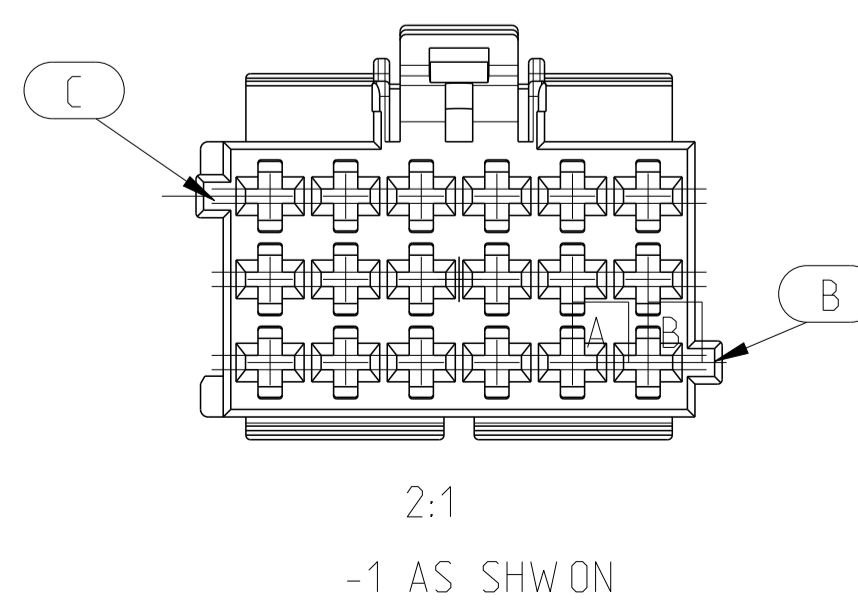
REALIZED CODINGS:

BASIC CODING A = RIBS B-C

CODING B = RIBS A-C

CODING C = RIBS B-D

CODING D = RIBS C-E



DESCRIPTION	COLOUR	WEIGHT	MATERIAL	TE P/N	PART REV	ITEM NO
MCP HOUSING, 18POS., CODING D	VIOLET	9.516g	PBT-GF15	-4	B	4
MCP HOUSING, 18POS., CODING C	BLUE	9.516g	PBT-GF15	-3	B	3
MCP HOUSING, 18POS., CODING B	NATURAL(WHITE)	9.516g	PBT-GF15	-2	B	2
MCP HOUSING, 18POS., CODING A	GREY	9.516g	PBT-GF15	-1	B	1

**PART LIST**

THIS DRAWING IS A CONTROLLED DOCUMENT.		OWN: H. XU	04/SEPT/2	TE Connectivity NAME: AMP-MCP 2.8mm RECEPTACLE HOUSING .18POS SIZE: CAGE CODE: DRAWING NO: RESTRICTED TO WEIGHT: 9.516g CUSTOMER DRAWING
DIMENSIONS: mm		CHK: Z. ZHOU	15/NOV/12	
TOLERANCES UNLESS OTHERWISE SPECIFIED:		APVD: W. YUAN	15/NOV/12	
1. PLC ±0.1 2. PLC ±0.1 3. PLC ±0.1 4. PLC ±0.1 ANGLES ±2° FINISH		PRODUCT SPEC: 108-101234	APPLICATION SPEC: 116-101014	

## X-ON Electronics

Largest Supplier of Electrical and Electronic Components

*Click to view similar products for [Automotive Connectors](#) category:*

*Click to view products by [TE Connectivity](#) manufacturer:*

Other Similar products are found below :

[003-018-000](#) [60993906-B](#) [72.330.1035.1](#) [F358300-B](#) [F407400](#) [776880-1](#) [827153-1](#) [8N1515-32-24P](#) [9-1326729-8](#) [925474-1](#) [928905-1](#)  
[964562-4](#) [968782-1](#) [98891-1012](#) [12004475-L](#) [12041318-B](#) [12052466](#) [12015909](#) [1-21030-1](#) [12041318](#) [12047957](#) [12185550](#) [12336-12](#)  
[12147304](#) [1-326211-1](#) [13681974](#) [13783086](#) [13832576](#) [13542772](#) [13675513](#) [1428188-1](#) [1437287-3](#) [1428188-2](#) [DS07-19S-5020](#) [1456983-5](#)  
[1456987-7](#) [APD-7CP-H](#) [APK-SB25A10L](#) [1452931-2](#) [15336198](#) [15491972](#) [15305306](#) [15396680](#) [15425613](#) [15518544](#) [15522351](#) [1719636-1](#)  
[172190-2](#) [172190-5](#) [192900-0402](#)