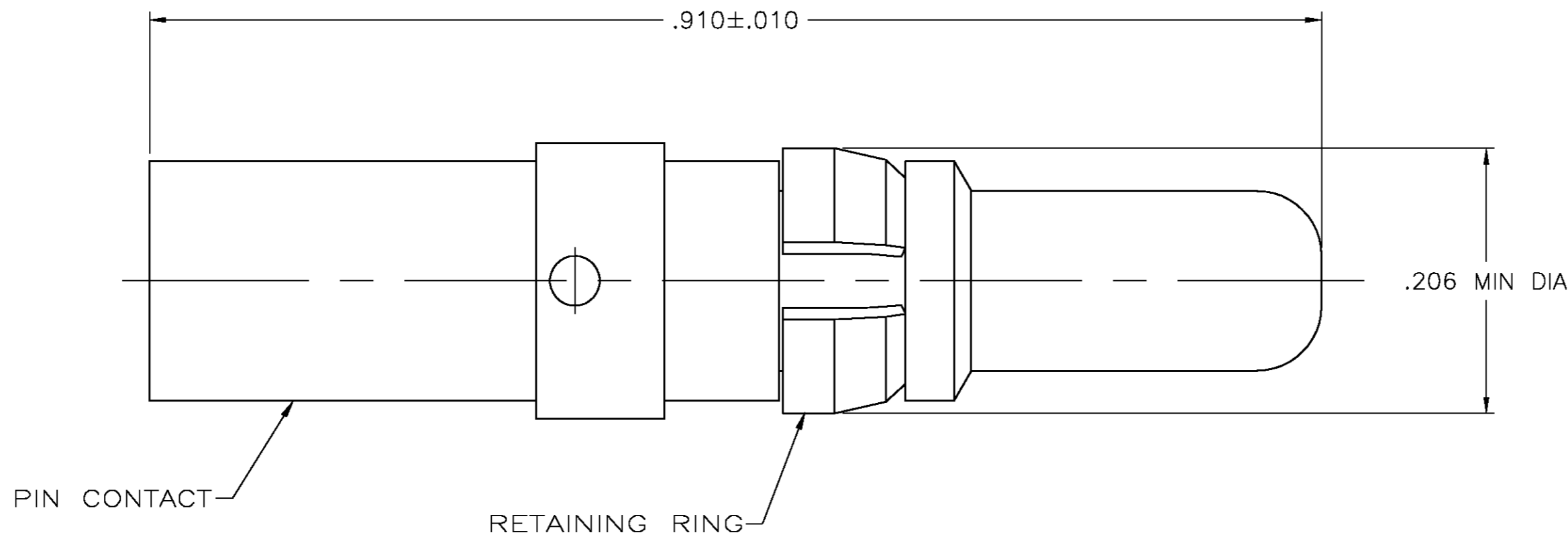


THIS DRAWING IS UNPUBLISHED. RELEASED FOR PUBLICATION
 © COPYRIGHT BY TYCO ELECTRONICS CORPORATION. ALL RIGHTS RESERVED.

LOC	DIST	REVISIONS					
FT	0	P	LTR	DESCRIPTION	DATE	DWN	APVD
		D		REVISED PER 0G3B-0008-04	1/12/04	SS	GS



213740-1
 PART NUMBER

- 1 BRASS.
- 2 PHOSPHOR BRONZE.
- 3 $0.76 \mu\text{m}$ [.000030] MIN GOLD OVER $1.27 \mu\text{m}$ [.000050] MIN NICKEL.
- 4 $2.54 \mu\text{m}$ [.000100] MIN NICKEL.

THIS DRAWING IS A CONTROLLED DOCUMENT.		DWN	01/23/92		 Tyco Electronics Corporation Harrisburg, PA 17105
DIMENSIONS: INCHES		L.SIPE	2-7-92		
TOLERANCES UNLESS OTHERWISE SPECIFIED:		CHK	R.STONE		NAME PIN CONTACT ASSEMBLY, #10 AWG, POWER VIII, METRIMATE
0 PLC ± -		APVD	-		
1 PLC ± -		PRODUCT SPEC	108-1317		SIZE CAGE CODE DRAWING NO A2 00779 C=213740
2 PLC ± -		APPLICATION SPEC	114-10014		
3 PLC ± .005		WEIGHT	-		RESTRICTED TO -
4 PLC ± -		CUSTOMER DRAWING			
ANGLES ± -		SCALE	10:1		SHEET 1 OF 1 REV D
FINISH					
PIN CONTACT: 1					
RETAINING RING: 2					
PIN CONTACT: 3					
RETAINING RING: 4					

X-ON Electronics

Largest Supplier of Electrical and Electronic Components

Click to view similar products for [Standard Circular Contacts](#) category:

Click to view products by [TE Connectivity](#) manufacturer:

Other Similar products are found below :

[RC16M23J](#) [133780-1](#) [RM20M13D28](#) [RM24M9D28](#) [RMMX110-1D28](#) [MS3474W10-6P L/C](#) [ELFH02211](#) [ELVP16100E](#) [164-901-CD](#)
[EN3545007SCE](#) [BV002BSQ20049CZ](#) [BV002SSQ160404CZ](#) [1900ND05S1B00B](#) [166566-1](#) [1900ND04S1X00D](#) [ST-JL05-16S-C3-100](#) [ST-JL05-20S-C1-100](#) [ST-JL05-20S-C2-100](#) [T01-CRIMP-S03](#) [APK-SA16A07-002](#) [27963-15T12](#) [CONT-JL05-08S-C2-10](#) [CONT-JL05-12S-C1-10](#) [RC16M-23T](#) [RFD26L-1D28](#) [BV002ASJ16049CW](#) [JN1-22-20S-R-PKG100](#) [031-50213](#) [031-50565](#) [031-50794](#) [SJS861301M](#) [ST-JL05-16S-C1-100](#) [ST-JL05-20P-C1-100](#) [82911466K](#) [192991-0087](#) [192900-0570](#) [44-100-1414P-1000-101](#) [T3P16FC3LZ](#) [ST-JL05-16S-C2-3500](#)
[ZP-4016-10NF](#) [CONT-JL05-12P-C1-10](#) [RM20M12G8D28](#) [031-50676](#) [12115010110](#) [RJFTVC2MG](#) [CAP-DACMDPC2](#) [031-50675-002](#)
[CAP-DD1FDPC2](#) [CAP-DACMDPC1](#) [031-50966-010](#)