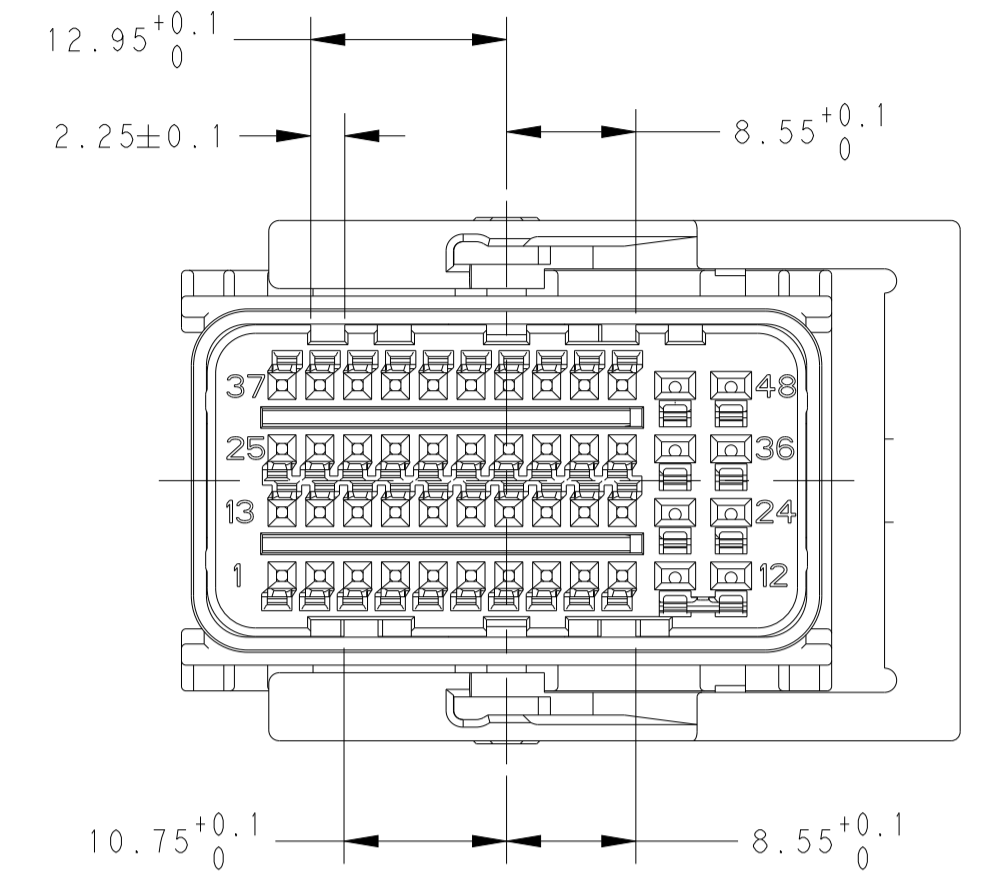




LOC	DIST	REVISIONS			
P	LYN	DESCRIPTION	DATE	DWN	APVD
-	-	SEE SHEET 1	-	-	-

## CODING 2

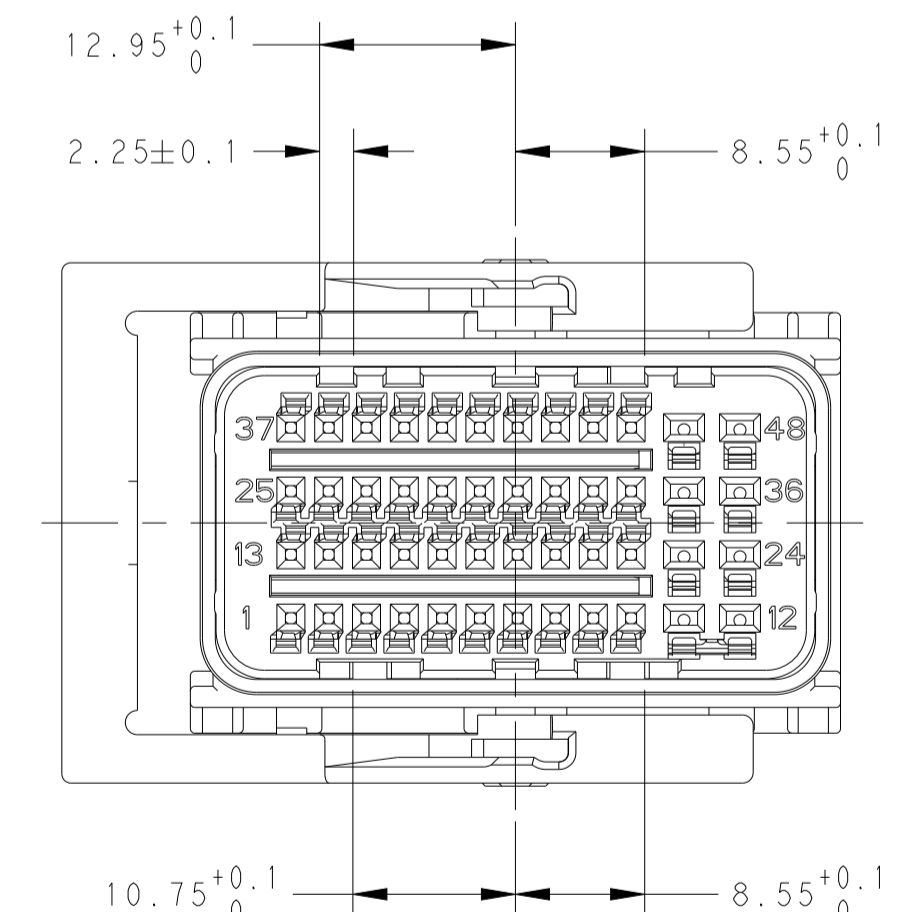
CAVITY NO.		PINOUT CONFIGURATION																																																	
2137490-I		1	2	3	4	5	6	7	8	9	10	11	12	13	14	15	16	17	18	19	20	21	22	23	24	25	26	27	28	29	30	31	32	33	34	35	36	37	38	39	40	41	42	43	44	45	46	47	48		
PACKING PN	TE PN (48P MIXED HOUSING)	X	X	X	X	X	X	X	X	X	X	X	X	X	X	X	X	X	X	X	X	X	X	X	X	X	X	X	X	X	X	X	X	X	X	X	X	X	X	X	X	X	X	X	X	X	X	X	X	X	X
		BLANKED CAVITIES INDICATE CLOSED LOCATIONS																																																	
		WITH "X" MARKED CAVITIES INDICATE OPEN LOCATIONS																																																	



**CODING 2  
 GREY  
 LEVER RIGHT  
 CABLE EXIT LEFT  
 PN 2137290**

## CODING 2

CAVITY NO.		PINOUT CONFIGURATION																																																	
2137491-I		1	2	3	4	5	6	7	8	9	10	11	12	13	14	15	16	17	18	19	20	21	22	23	24	25	26	27	28	29	30	31	32	33	34	35	36	37	38	39	40	41	42	43	44	45	46	47	48		
PACKING PN	TE PN (48P MIXED HOUSING)	X	X	X	X	X	X	X	X	X	X	X	X	X	X	X	X	X	X	X	X	X	X	X	X	X	X	X	X	X	X	X	X	X	X	X	X	X	X	X	X	X	X	X	X	X	X	X	X	X	X
		BLANKED CAVITIES INDICATE CLOSED LOCATIONS																																																	
		WITH "X" MARKED CAVITIES INDICATE OPEN LOCATIONS																																																	



**CODING 2  
 GREY  
 LEVER LEFT  
 CABLE EXIT RIGHT  
 PN 2137291**

THIS DRAWING IS A CONTROLLED DOCUMENT.

**TE Connectivity**

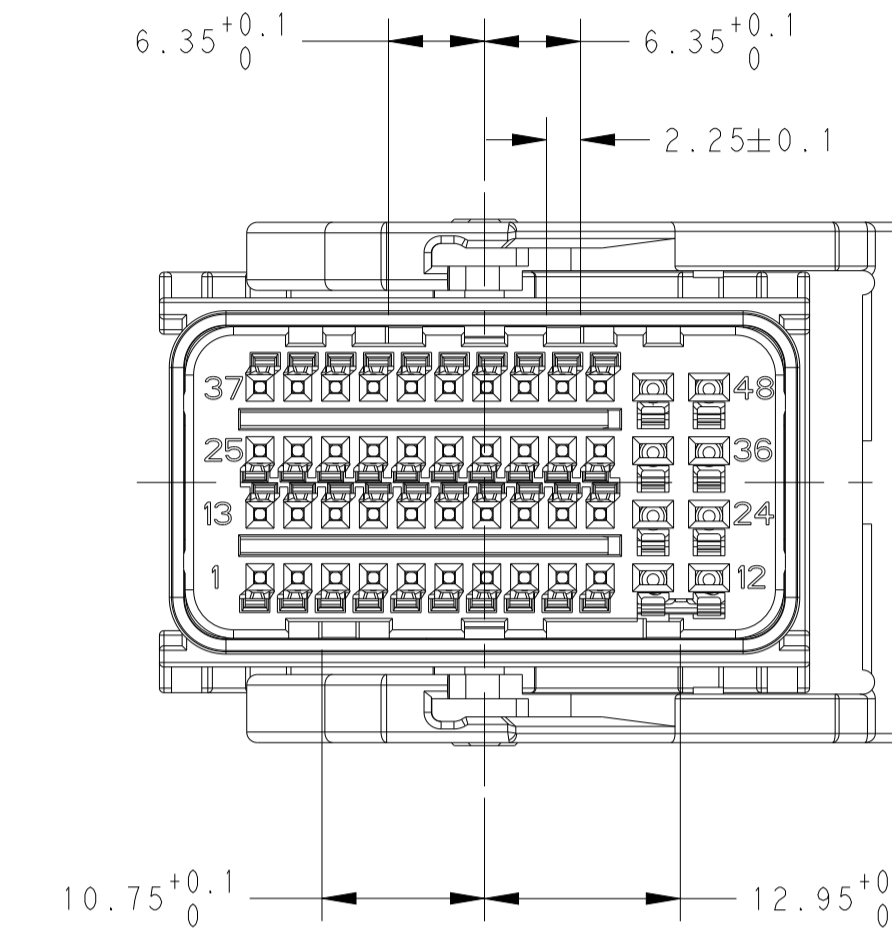
DIMENSIONS: mm 	TOLERANCES UNLESS OTHERWISE SPECIFIED: 0-PLC ± 1-PLC ±0.3 2-PLC ±0.3 3-PLC ±0.3 4-PLC ±0.3 ANGLES ± FINISH	DWN B.PU 26AUG2010 CHK Y. YANG 26AUG2010 APVD K. ODA 02NOV2010 PRODUCT SPEC APPLICATION SPEC SEE SHEET 1 WEIGHT CUSTOMER DRAWING	NAME 48POS. MIXED RECEPTACLE HOUSING 40xMQS AND 8x1.5 SIZE A1 CAGE CODE 00779 DRAWING NO. 2050981 SCALE 1:1 SHEET 2 OF 6 REV D4
-----------------------	---	---	---



LOC	DIST	REVISIONS			
P	LTN	DESCRIPTION	DATE	OWN	APVD
-	-	SEE SHEET 1	-	-	-

# CODING 4

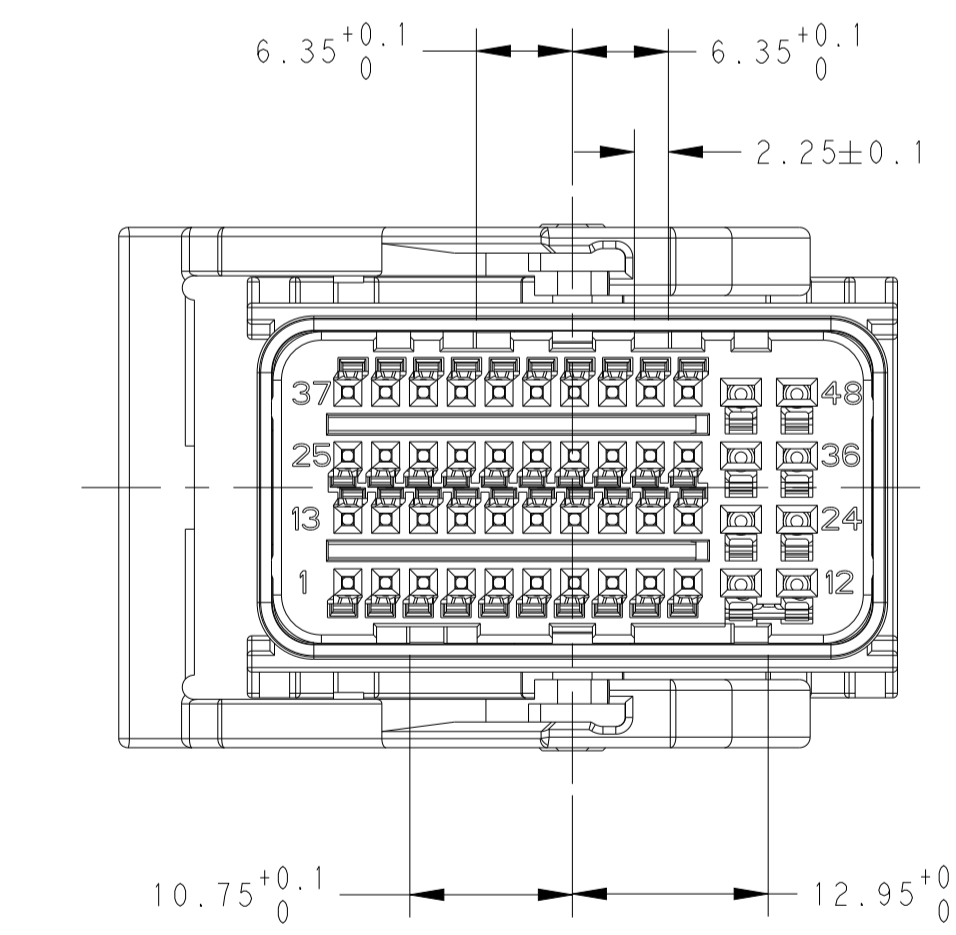
CAVITY NO.		1	2	3	4	5	6	7	8	9	10	11	12	13	14	15	16	17	18	19	20	21	22	23	24	25	26	27	28	29	30	31	32	33	34	35	36	37	38	39	40	41	42	43	44	45	46	47	48				
2137904-3	2137898-3	X	X	X	X	X	X	X	X	X	X	X	X	X	X	X	X	X	X	X	X	X	X	X	X	X	X	X	X	X	X	X	X	X	X	X	X	X	X	X	X	X	X	X	X	X	X	X	X	X	X	X	
2137904-2	2137898-2	X	X	X	X	X	X	X	X	X	X	X	X	X	X	X	X	X	X	X	X	X	X	X	X	X	X	X	X	X	X	X	X	X	X	X	X	X	X	X	X	X	X	X	X	X	X	X	X	X	X	X	X
2137904-1	2137898-1	X	X	X	X	X	X	X	X	X	X	X	X	X	X	X	X	X	X	X	X	X	X	X	X	X	X	X	X	X	X	X	X	X	X	X	X	X	X	X	X	X	X	X	X	X	X	X	X	X	X	X	X
PACKING PN	TE PN (48P MIXED HOUSING)	1	2	3	4	5	6	7	8	9	10	11	12	13	14	15	16	17	18	19	20	21	22	23	24	25	26	27	28	29	30	31	32	33	34	35	36	37	38	39	40	41	42	43	44	45	46	47	48				
BLANKED CAVITIES INDICATE CLOSED LOCATIONS																																																					
WITH "X" MARKED CAVITIES INDICATE OPEN LOCATIONS																																																					



**CODING 4  
GREEN  
LEVER RIGHT  
CABLE EXIT LEFT  
PN 2137898**

# CODING 4

CAVITY NO.		1	2	3	4	5	6	7	8	9	10	11	12	13	14	15	16	17	18	19	20	21	22	23	24	25	26	27	28	29	30	31	32	33	34	35	36	37	38	39	40	41	42	43	44	45	46	47	48				
2137905-2	2137899-2	X	X	X	X	X	X	X	X	X	X	X	X	X	X	X	X	X	X	X	X	X	X	X	X	X	X	X	X	X	X	X	X	X	X	X	X	X	X	X	X	X	X	X	X	X	X	X	X	X	X	X	
2137905-1	2137899-1	X	X	X	X	X	X	X	X	X	X	X	X	X	X	X	X	X	X	X	X	X	X	X	X	X	X	X	X	X	X	X	X	X	X	X	X	X	X	X	X	X	X	X	X	X	X	X	X	X	X	X	X
PACKING PN	TE PN (48P MIXED HOUSING)	1	2	3	4	5	6	7	8	9	10	11	12	13	14	15	16	17	18	19	20	21	22	23	24	25	26	27	28	29	30	31	32	33	34	35	36	37	38	39	40	41	42	43	44	45	46	47	48				
BLANKED CAVITIES INDICATE CLOSED LOCATIONS																																																					
WITH "X" MARKED CAVITIES INDICATE OPEN LOCATIONS																																																					



**CODING 4  
GREEN  
LEVER LEFT  
CABLE EXIT RIGHT  
PN 2137899**

THIS DRAWING IS A CONTROLLED DOCUMENT.		OWN B. PU CHK Y. YANG APVD K. ODA	26AUG2010 26AUG2010 02NOV2010	<b>STE</b> TE Connectivity	NAME 48POS. MIXED RECEPTACLE HOUSING 40xMQS AND 8x1.5			
DIMENSIONS: mm	TOLERANCES UNLESS OTHERWISE SPECIFIED: 0-PLC ±.1 1-PLC ±0.3 2-PLC ±0.3 3-PLC ±0.3 4-PLC ±0.3 ANGLES ±.3	PRODUCT SPEC	APPLICATION SPEC		SIZE A1	CAGE CODE 00779	DRAWING NO. C=2050981	RESTRICTED TO
MATERIAL	FINISH	WEIGHT	SEE SHEET 1	CUSTOMER DRAWING	SCALE 1:1	SHEET 4	OF 6	REV D4

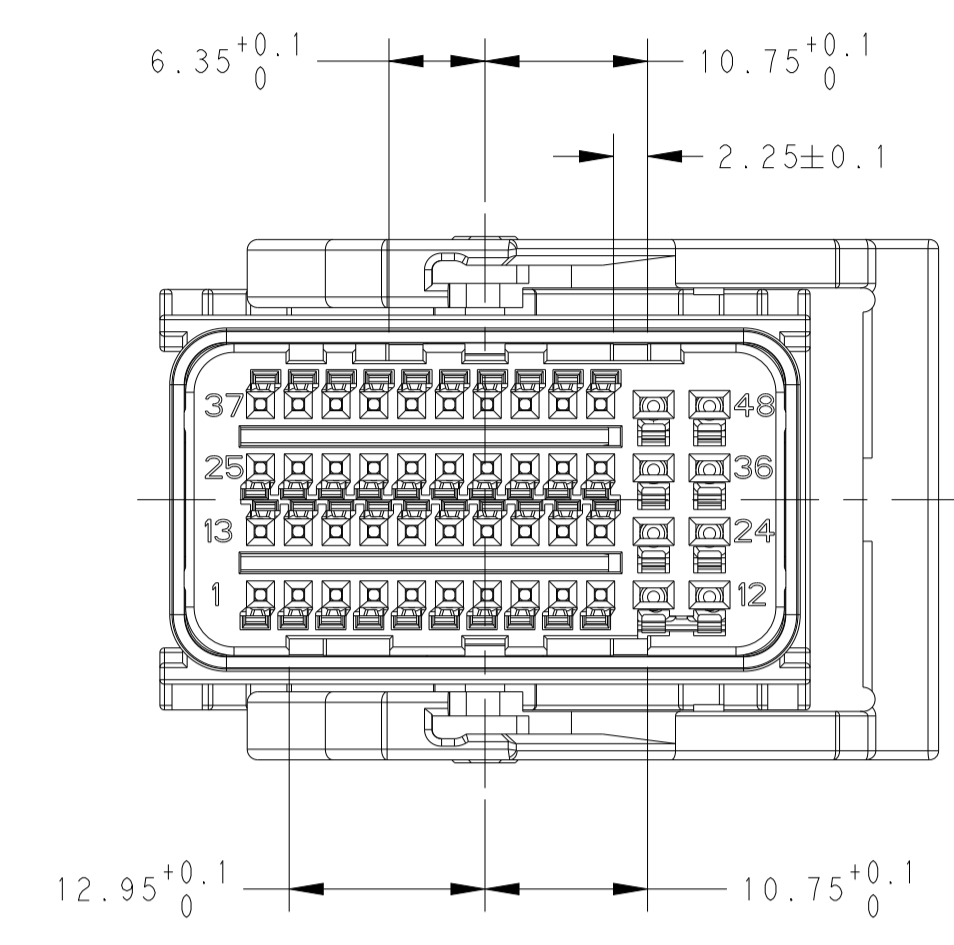


LOC	DIST	REV	DATE	DWN	APVD
ES	00				

REVISIONS					
P	LTN	DESCRIPTION	DATE	DWN	APVD
-		SEE SHEET 1	-	-	-

## CODING 6

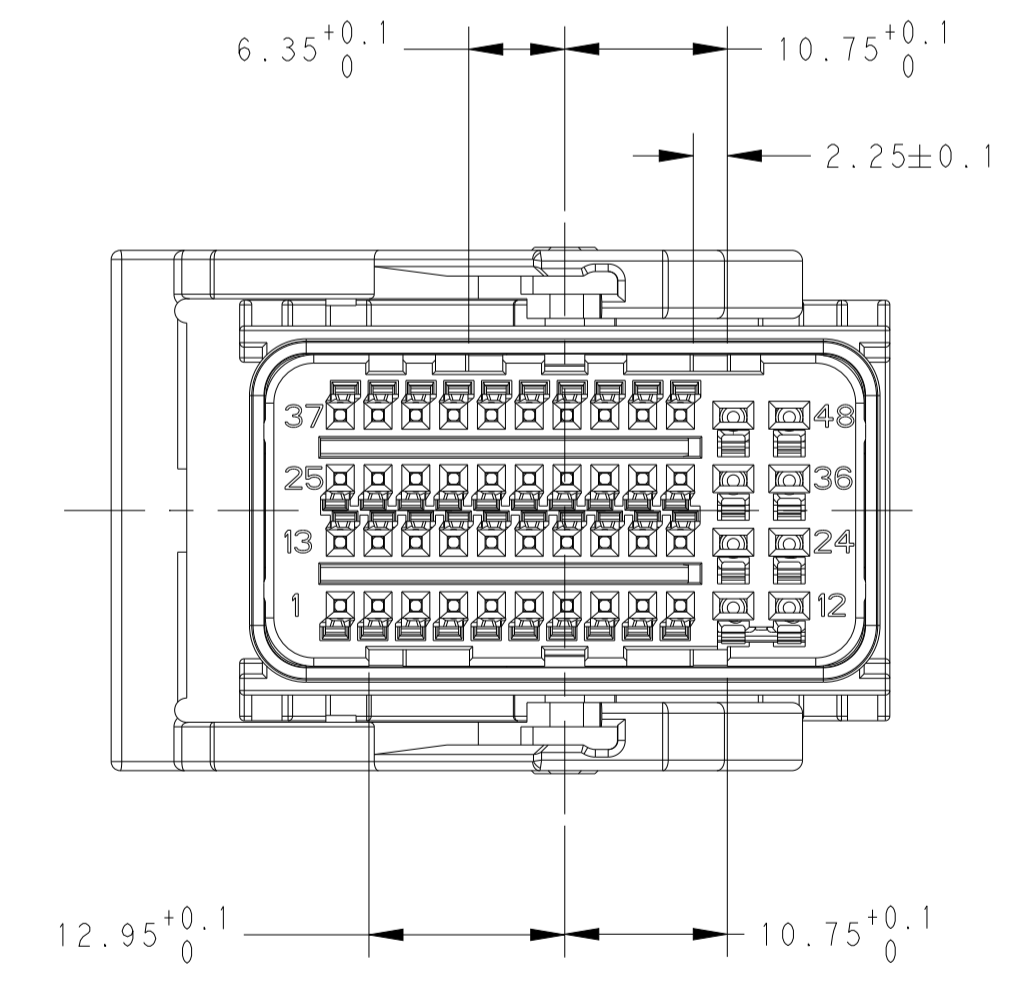
CAVITY NO.		PINOUT CONFIGURATION																																																		
2137908-1	2137902-1	X	X	X	X	X	X	X	X	X	X	X	X	X	X	X	X	X	X	X	X	X	X	X	X	X	X	X	X	X	X	X	X	X	X	X	X	X	X	X	X	X	X	X	X	X	X	X	X	X	X	X
PACKING PN	TE PN ( 48P MIXED HOUSING )	1	2	3	4	5	6	7	8	9	10	11	12	13	14	15	16	17	18	19	20	21	22	23	24	25	26	27	28	29	30	31	32	33	34	35	36	37	38	39	40	41	42	43	44	45	46	47	48			
BLANKED CAVITIES INDICATE CLOSED LOCATIONS WITH "X" MARKED CAVITIES INDICATE OPEN LOCATIONS																																																				



**CODING 6  
 YELLOW  
 LEVER RIGHT  
 CABLE EXIT LEFT  
 PN 2137902**

## CODING 6

CAVITY NO.		PINOUT CONFIGURATION																																																		
2137909-1	2137903-1	X	X	X	X	X	X	X	X	X	X	X	X	X	X	X	X	X	X	X	X	X	X	X	X	X	X	X	X	X	X	X	X	X	X	X	X	X	X	X	X	X	X	X	X	X	X	X	X	X	X	X
PACKING PN	TE PN ( 48P MIXED HOUSING )	1	2	3	4	5	6	7	8	9	10	11	12	13	14	15	16	17	18	19	20	21	22	23	24	25	26	27	28	29	30	31	32	33	34	35	36	37	38	39	40	41	42	43	44	45	46	47	48			
BLANKED CAVITIES INDICATE CLOSED LOCATIONS WITH "X" MARKED CAVITIES INDICATE OPEN LOCATIONS																																																				



**CODING 6  
 YELLOW  
 LEVER LEFT  
 CABLE EXIT RIGHT  
 PN 2137903**

THIS DRAWING IS A CONTROLLED DOCUMENT.			DWN: B.PU 26AUG2010	TE Connectivity	
DIMENSIONS: mm			CHK: Y. YANG 26AUG2010		
TOLERANCES UNLESS OTHERWISE SPECIFIED:			APVD: K. ODA 02NOV2010	NAME: 48POS. MIXED RECEPTACLE HOUSING 40xMQS AND 8x1.5	
0-PLC ±0.3 1-PLC ±0.3 2-PLC ±0.3 3-PLC ±0.3 4-PLC ±0.3 ANGLES ±0.3 FINISH			PRODUCT SPEC	APPLICATION SPEC	RESTRICTED TO
MATERIAL: -			SEE SHEET 1	SIZE: A1	CAGE CODE: 00779
			WEIGHT: -	DRAWING NO: C=2050981	REV: D4
			CUSTOMER DRAWING	SCALE: 1:1	SHEET 6 OF 6

## X-ON Electronics

Largest Supplier of Electrical and Electronic Components

*Click to view similar products for [Automotive Connectors](#) category:*

*Click to view products by [TE Connectivity](#) manufacturer:*

Other Similar products are found below :

[003-018-000](#) [60993906-B](#) [72.330.1035.1](#) [F358300-B](#) [F407400](#) [776880-1](#) [827153-1](#) [8N1515-32-24P](#) [9-1326729-8](#) [925474-1](#) [928905-1](#)  
[964562-4](#) [968782-1](#) [98891-1012](#) [12004475-L](#) [12041318-B](#) [12052466](#) [12015909](#) [1-21030-1](#) [12041318](#) [12047957](#) [12185550](#) [12336-12](#)  
[12147304](#) [1-326211-1](#) [13681974](#) [13783086](#) [13832576](#) [13542772](#) [13675513](#) [1428188-1](#) [1437287-3](#) [1428188-2](#) [DS07-19S-5020](#) [1456983-5](#)  
[1456987-7](#) [APD-7CP-H](#) [APK-SB25A10L](#) [1452931-2](#) [15336198](#) [15491972](#) [15305306](#) [15396680](#) [15425613](#) [15518544](#) [15522351](#) [1719636-1](#)  
[172190-2](#) [172190-5](#) [192900-0402](#)