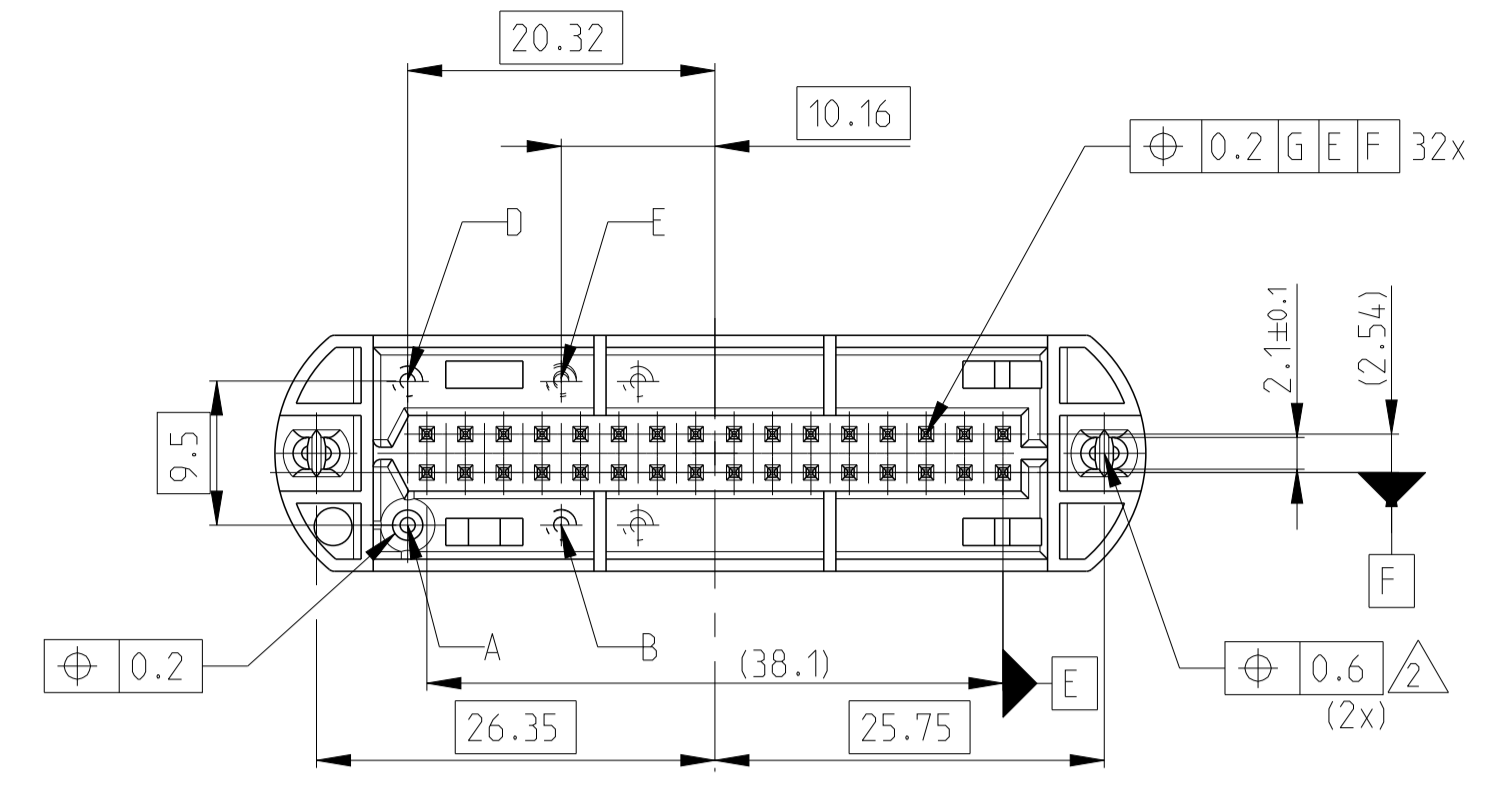
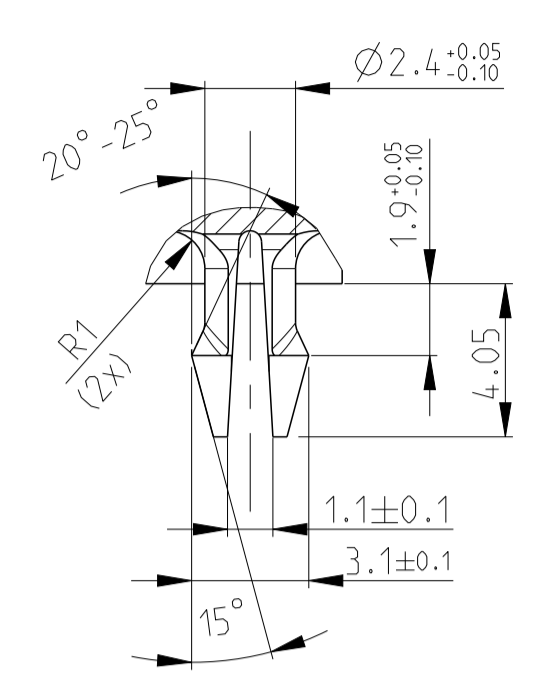


LOC		DIST		REVISIONS			
P	LTN	DESCRIPTION	DATE	DMN	APVD		
A		RELEASE	30JUN11	E.X	I.Y		
A1		ECR-11-015805	01AUG11	E.X	I.Y		
A2		ECR-13-012747	12AUG13	X.L	I.Y		
A3		ECR-19-013351	22AUG19	E.L	W.W		

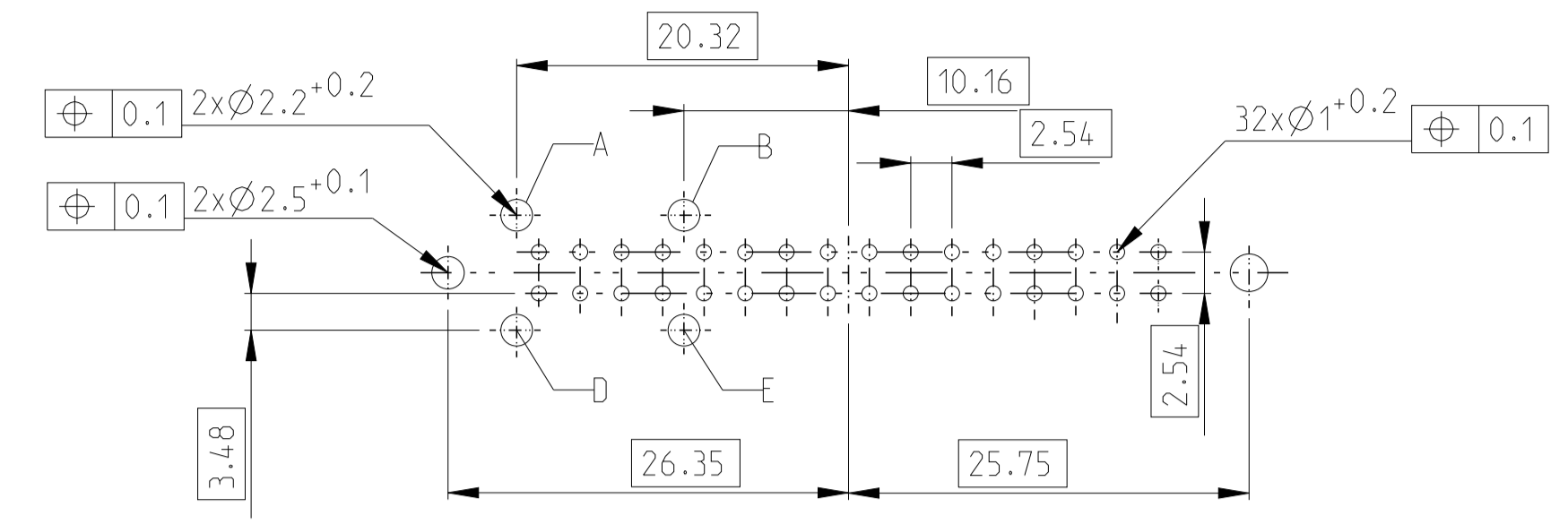
CODING A-F. SOLDER SIDE



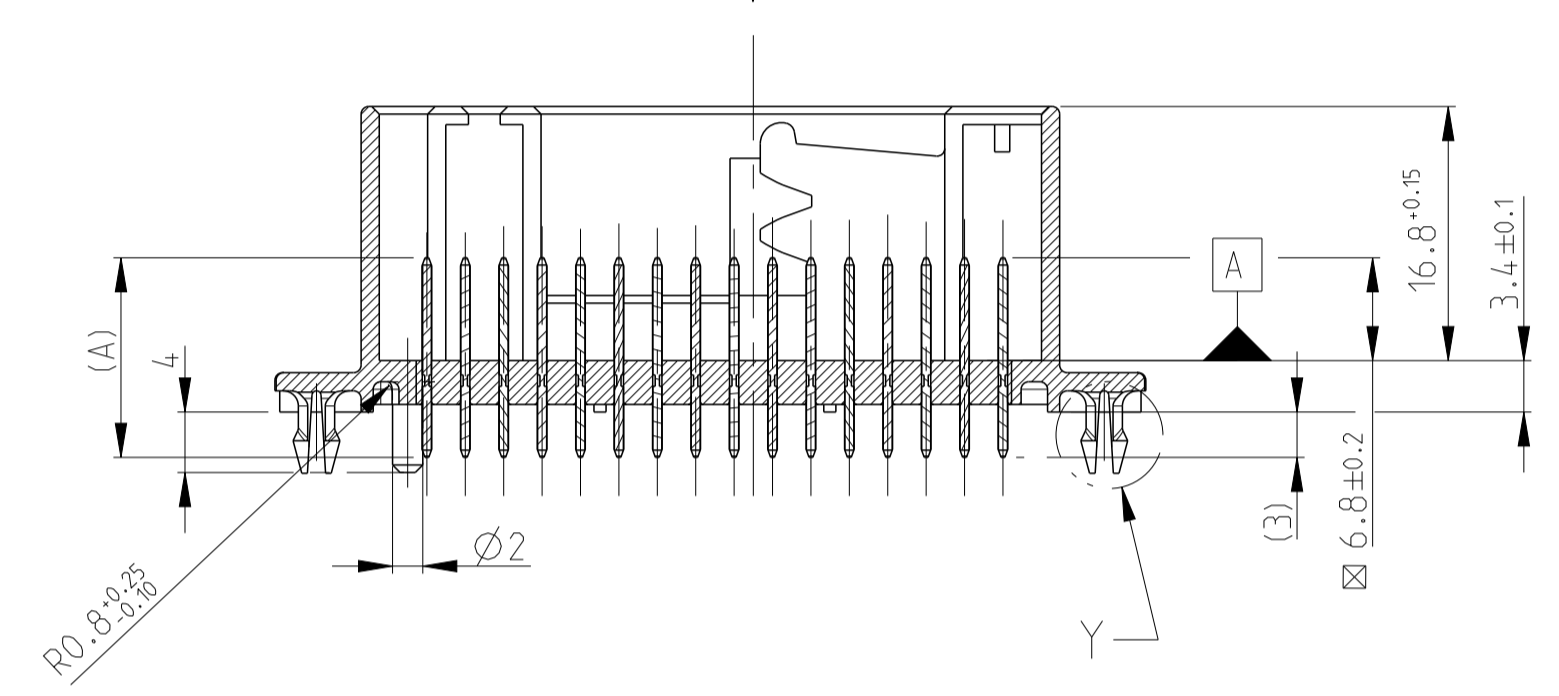
DETAIL "Y"



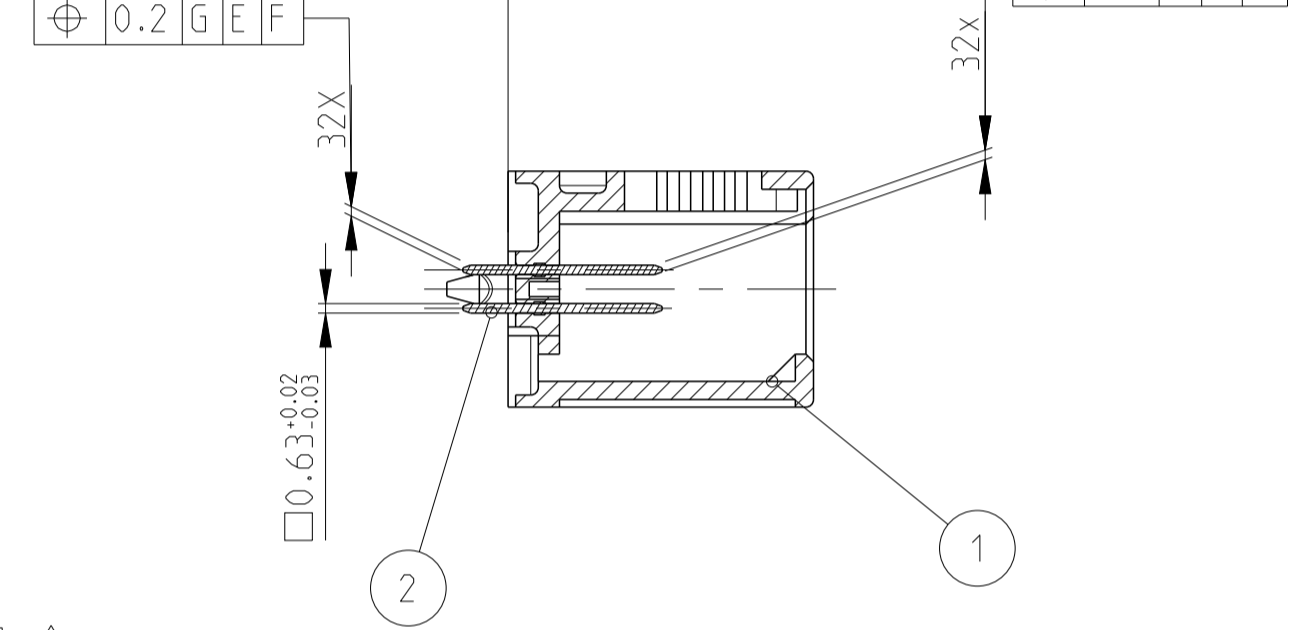
PCB LAYOUT



SECTION A-A

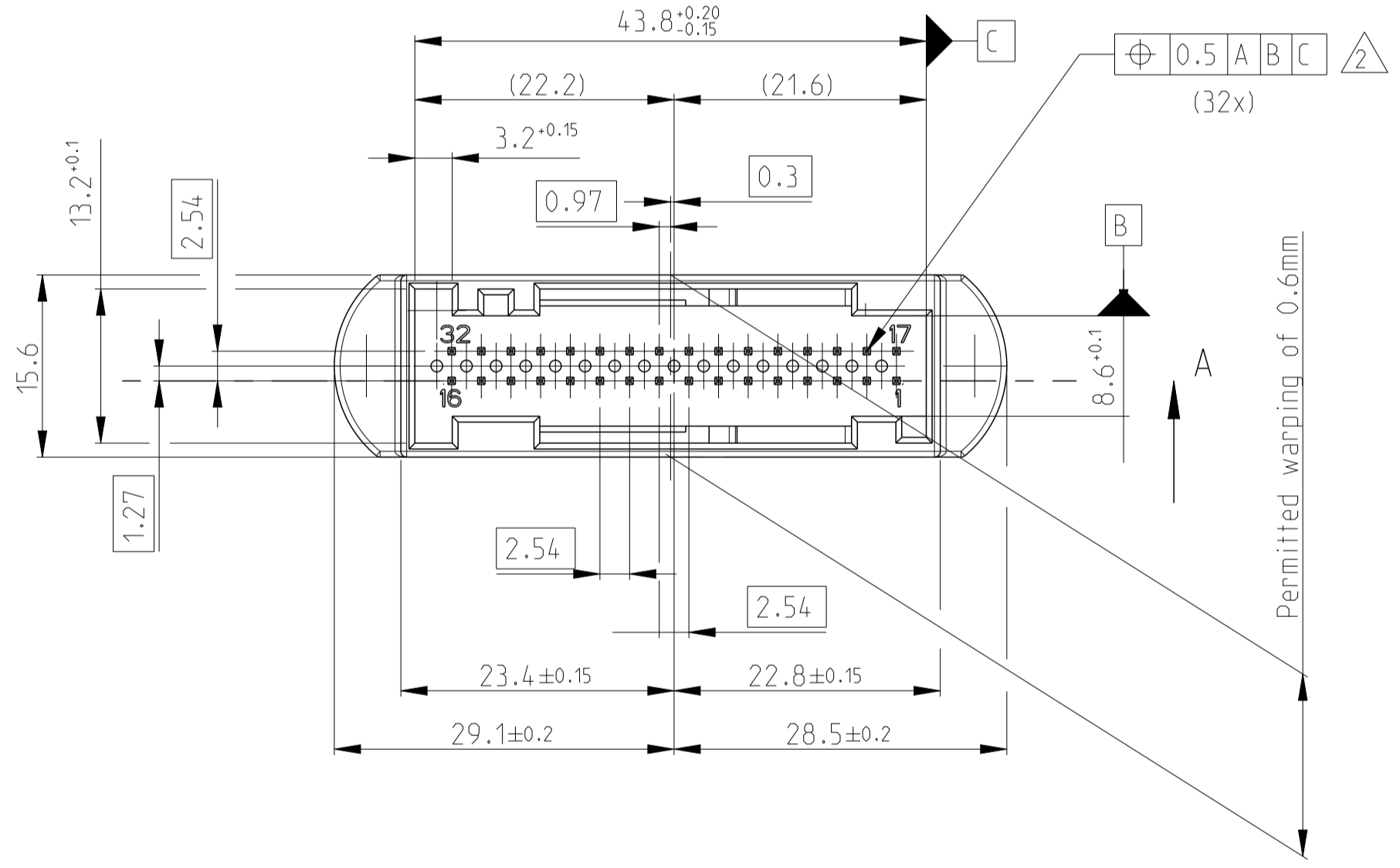


B-B

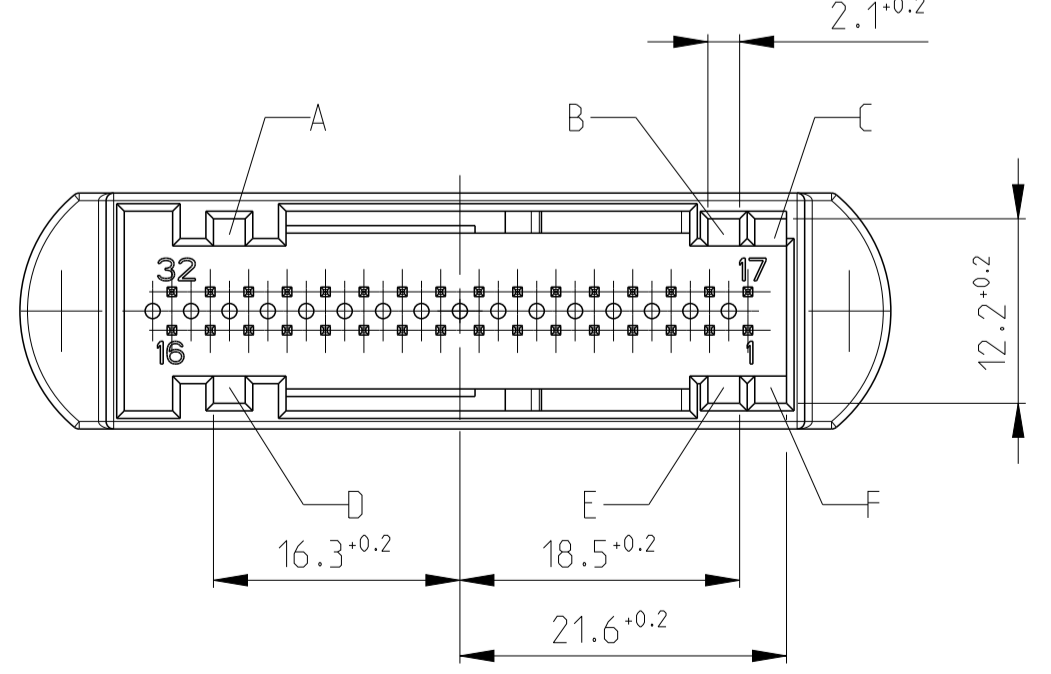


NOTES:

- THE EXECUTION OF THE PRINTED CIRCUIT BOARD CODING AND THE CODING SLOTS, SEE TABLE
- FORM- AND POSITION TOLERANCE; "POSITION" IS VALID ONLY FOR THE APPROPRIATED POINTS
- SURFACE: TIN PLATING 2.0 µm - 4.0 µm (PER FINISH SPEC 112-16-2) OVER 1.27 µm - 2.2 µm NICKEL (PER FINISH SPEC 112-42-3) / ELECTRO PLATED. MAT
- MATING PARTS SEE TE P/N2050723-X
- ELECTRICAL CONTRAL. OPEN CIRCUIT. SHORT CIRCUIT
- SYMBOL ■ DIMENSION IS SIGNIFICANT CHARACTERISTIC  
 SYMBOL ☒ DIMENSION IS MAJOR CHARACTERISTIC



VIEW "X"  
 ALL CODING SHOWN, MATING SIDE



CODING	MATING SIDE		SOLDER SIDE	
	POS	QTY	POS	QTY
X	X	2	32	32
X	X	1	1	1
X	X	1	1	1
-2	-1	POS	QTY	DESCRIPTION

POS	QTY	DESCRIPTION	Rev	MATERIAL	SURFACE	RAL			
X	X	2	32	AMPMODU MODU II PIN	0.63	A	CuZn30	TIN PLATING	3
X	X	1	1	32P PIN HEADER HOUSING		A	PBT-GF15	BLUE	5012
X	X	1	1	32P PIN HEADER HOUSING		A	PBT-GF15	GREEN	6018

OWN	E.XU	30JUN2011	TE Connectivity Shanghai China
CHK	R.DONG	30JUN2011	
APVD	L.YIN	30JUN2011	NAME
DIMENSIONS:			PRODUCT SPEC
TOLERANCES UNLESS OTHERWISE SPECIFIED:			APPLICATION SPEC
mm	0 PLC	±0.1	SIZE
	1 PLC	±0.2	CAGE CODE
	2 PLC	±0.3	DRAWING NO
	3 PLC	±0.4	RESTRICTED TO
	4 PLC	±0.5	
	ANGLES	±0°	
	FINISH		
MATERIAL			WEIGHT
CUSTOMER DRAWING			SCALE
			2:1
			SHEET
			1
			OF
			1
			REV
			A3

## X-ON Electronics

Largest Supplier of Electrical and Electronic Components

*Click to view similar products for [Headers & Wire Housings](#) category:*

*Click to view products by [TE Connectivity](#) manufacturer:*

Other Similar products are found below :

[57102-F02-18ULF](#) [58102-G61-06LF](#) [582553-1](#) [009176003701906](#) [01.001.5753.1](#) [0050291907](#) [02.125.8002.8](#) [609-3404](#) [61062-3](#)  
[CSU011177004](#) [622-0430](#) [622-3653LF](#) [63453-116](#) [636-1030](#) [636-1427](#) [636-3427](#) [636-4007](#) [641938-9](#) [65495-038](#) [65692-001LF](#) [65781-018](#)  
[65781-047](#) [65817-010LF](#) [65817-015LF](#) [66207-023LF](#) [67095-007LF](#) [67601157](#) [68631-112](#) [68645-018](#) [699319-000](#) [70.362.1628.0](#) [70-4210](#)  
[70-4226B](#) [70-4853B](#) [707-5020](#) [707-5028](#) [71.350.2428.0](#) [71961-016LF](#) [733-134](#) [733-162](#) [754199-000](#) [760-3052](#) [800-90-001-10-001000](#)  
[801-43-002-10-013000](#) [801-43-006-10-002000](#) [803-41-018-10-001000](#) [803-43-024-10-001000](#) [803-93-012-10-001000](#) [8-1437020-4](#)  
[819-22-004-30-001101](#)