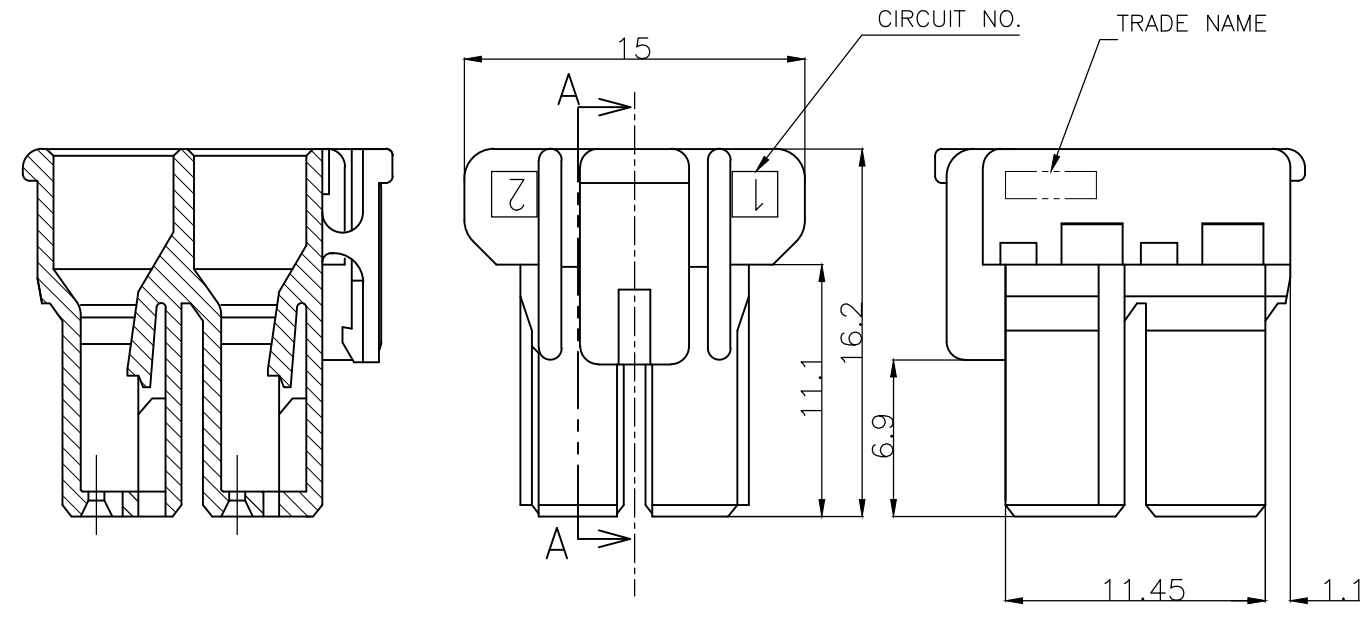
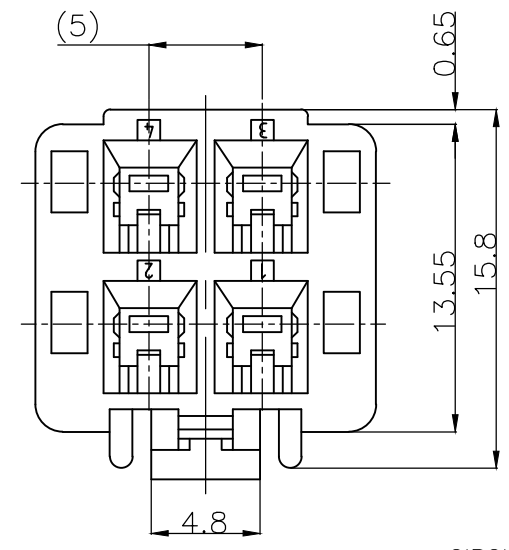
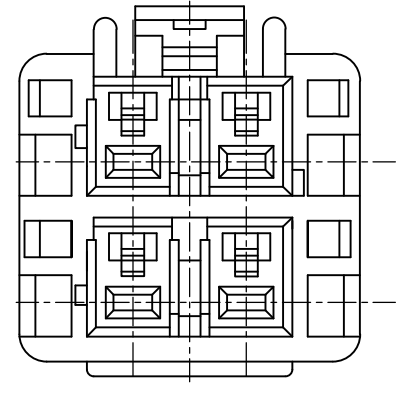


THIS DRAWING IS UNPUBLISHED. RELEASED FOR PUBLICATION  
 © COPYRIGHT - By - ALL RIGHTS RESERVED.

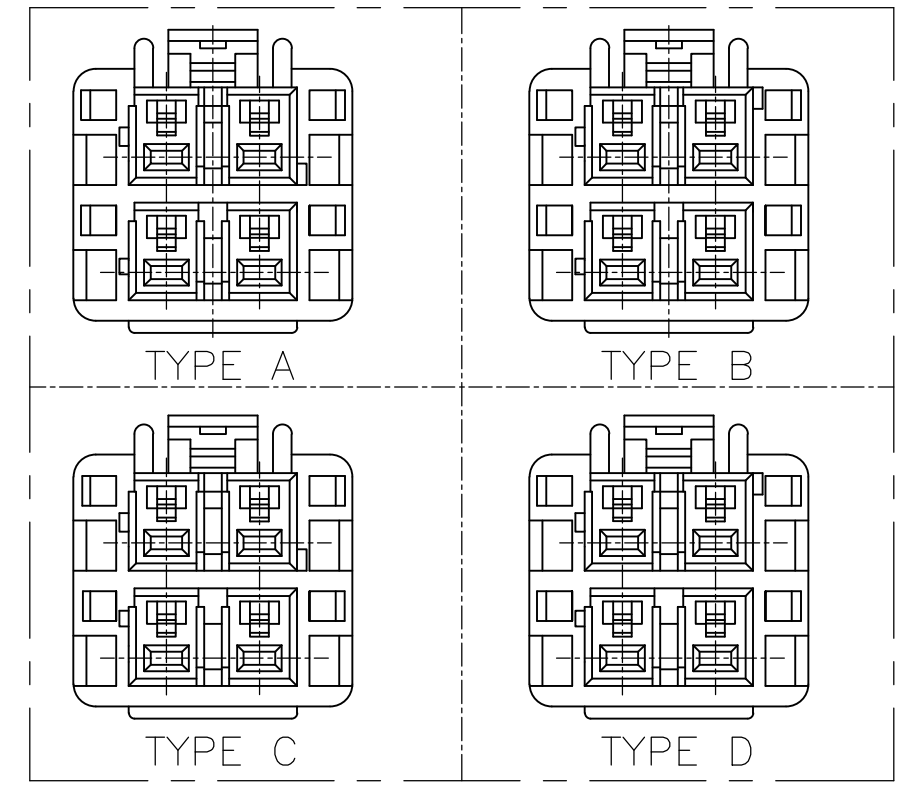
REVISIONS					
P	LTR	DESCRIPTION	DATE	DWN	APVD
	C3	REVISED PER ECO-17-008188	4JAN2018	C.X	D.Z



SECT A-A



THE TYPE OF KEYING



- 1 MATING CONN. P/N  
 HEADER ASS'Y :SEE TABLE  
 REC CONTACT ;1376347-1,1376348-1
- 2 PARTS MEET IEC 60335-1 (GWT GLOW WIRE TEST 750 DEGREE SPEC)
- 3 NYLON 66, GWT, V-0.

(HOSING)	(6/6 NYLON GRASS FILLED)
(NAME)	(MATERIAL)

3	1376394-1	3-1376386-4	TYPE D	YELLOW	4Pos	3-1376392-4
3	1376394-1	2-1376386-3	TYPE C	BLUE	4Pos	2-1376392-3
3	1376394-1	1-1376386-2	TYPE B	RED	4Pos	1-1376392-2
3	1376394-1	1376386-1	TYPE A	NATURAL	4Pos	1376392-1
	APPLICABLE PLATE. P/N	MATING CONN. P/N	THE TYPE OF KEYING	Color	Pos	PART NO.

THIS DRAWING IS A CONTROLLED DOCUMENT.		DWN A.OISHI 31AUG00	<b>TE Connectivity</b>			
DIMENSIONS: mm		CHK Y.KASHIWA 28AUG'00				
TOLERANCES UNLESS OTHERWISE SPECIFIED:		APVD Y.KASHIWA 28AUG'00	PRODUCT SPEC			5.0 POWER KEY CONNECTOR 4P PLUG HOUSING(2ROW)
0 PLC ± 0.2 1 PLC ± 0.2 2 PLC ± 0.2 3 PLC ± 4 PLC ± ANGLES ± 1°		APPLICATION SPEC		RESTRICTED TO		
MATERIAL SEE TABLE		FINISH SEE TABLE		108-5699		SIZE A3
				114-5292		
				WEIGHT		CAGE CODE 00779
				CUSTOMER DRAWING		DRAWING NO C-1376392
				SCALE 3:1		SHEET 1 OF 2
						REV C3

THIS DRAWING IS UNPUBLISHED.

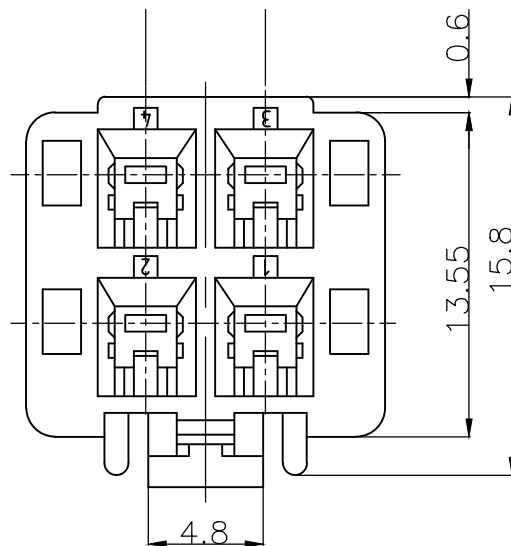
RELEASED FOR PUBLICATION

ALL RIGHTS RESERVED.

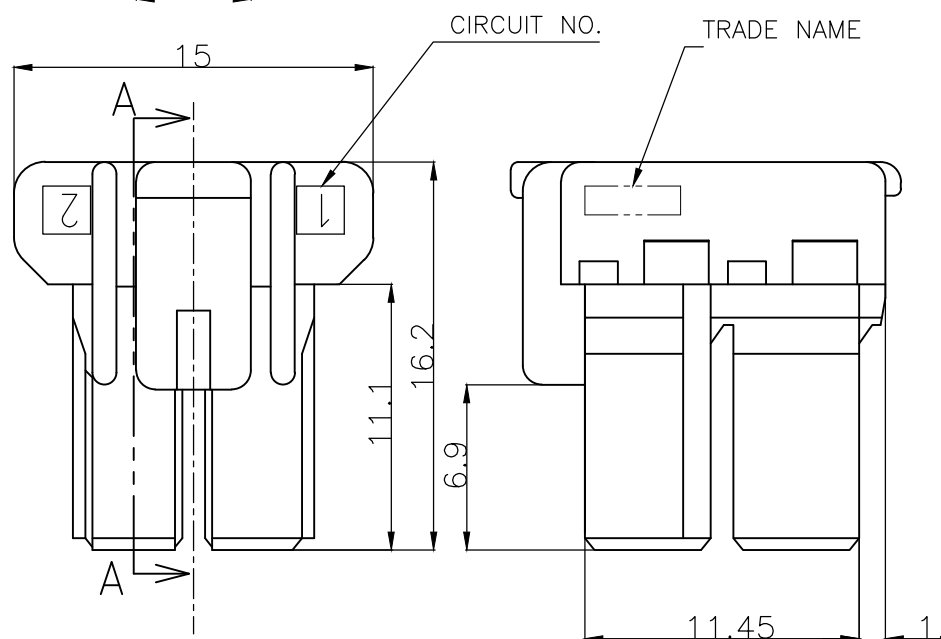
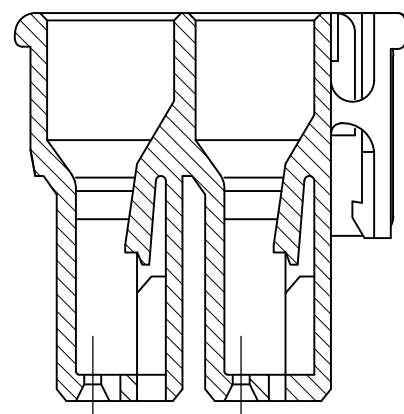
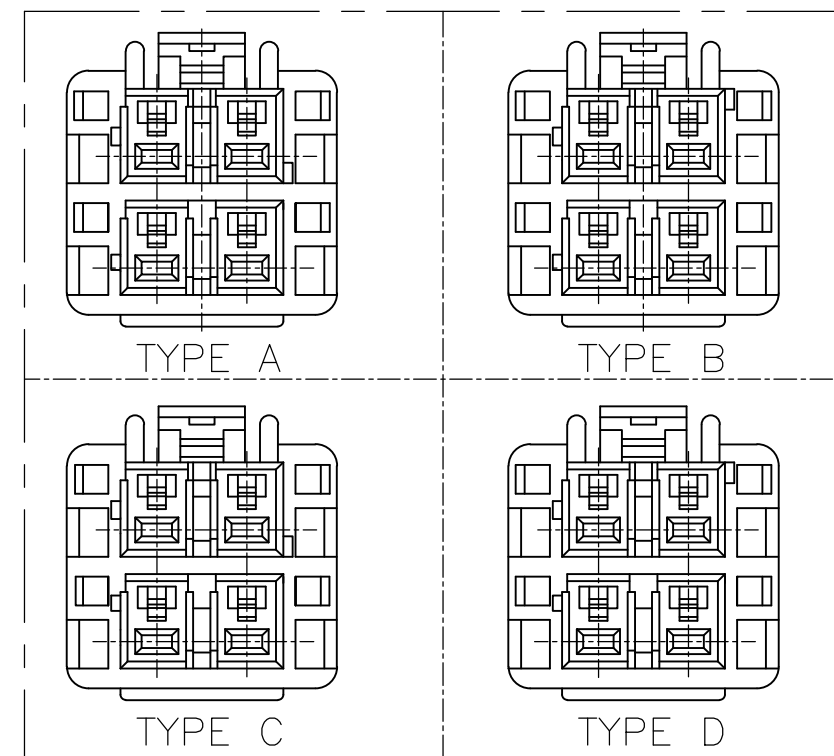
© COPYRIGHT - By -

REVISIONS

P	LTR	DESCRIPTION	DATE	DWN	APVD
-	-	SEE SHEET 1	-	-	-



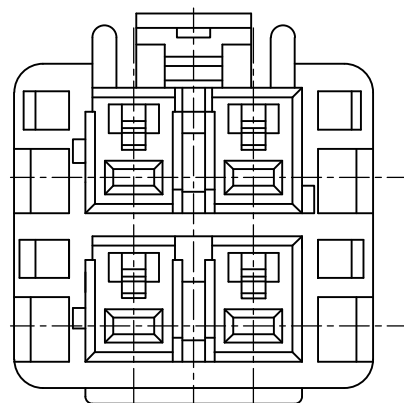
THE TYPE OF KEYING



1 MATING CONN. P/N  
 HEADER ASS'Y :SEE TABLE  
 REC CONTACT ;1376347-1,1376348-1

HOSING	6 / 6 NYLON
(NAME)	(MATERIAL)

SECT A-A



1376394-1	3-1376386-5	TYPE D	YELLOW	4Pos	3-1376392-5
1376394-1	2-1376386-4	TYPE C	BLUE	4Pos	2-1376392-4
1376394-1	1-1376386-3	TYPE B	RED	4Pos	1-1376392-3
1376394-1	1376386-2	TYPE A	NATURAL	4Pos	1376392-2
APPLICABLE PLATE. P/N	MATING CONN. P/N	THE TYPE OF KEYING	Color	Pos	PART NO.

THIS DRAWING IS A CONTROLLED DOCUMENT.		DWN A.OISHI 31AUG00	<b>TE Connectivity</b>		
DIMENSIONS: mm		CHK Y.KASHIWA 28AUG'00			
TOLERANCES UNLESS OTHERWISE SPECIFIED:		APVD Y.KASHIWA 28AUG'00	NAME 5.0 POWER KEY CONNECTOR 4P PLUG HOUSING(2ROW)		
0 PLC ± 0.2 1 PLC ± 0.2 2 PLC ± 0.2 3 PLC ± 4 PLC ± ANGLES ± 1°		PRODUCT SPEC 108-78863	RESTRICTED TO		
MATERIAL SEE TABLE		FINISH SEE TABLE	APPLICATION SPEC 114-5292	SIZE A3	CAGE CODE 00779
		WEIGHT	DRAWING NO C-1376392	SCALE 3:1	SHEET 2 OF 2
		CUSTOMER DRAWING	REV C2		

## X-ON Electronics

Largest Supplier of Electrical and Electronic Components

*Click to view similar products for [Heavy Duty Power Connectors](#) category:*

*Click to view products by [TE Connectivity](#) manufacturer:*

Other Similar products are found below :

[647757-1](#) [6643411-1](#) [6646058-2](#) [6646137-1](#) [6646138-1](#) [6646479-1](#) [6646608-1](#) [6646786-1](#) [6646940-1](#) [6651091-1](#) [6651525-1](#) [6651529-1](#)  
[6651788-1](#) [696475-1](#) [702-32-01109](#) [703-25-02205](#) [73000005059](#) [73000005642](#) [73080255059](#) [73080965046](#) [765-15-0080A](#) [765-16-0080B](#)  
[765-18-0080D](#) [829992-1](#) [902-77-02113](#) [PS00/A0620/6300](#) [PS25/A0420/63](#) [129-1J](#) [1409400](#) [AN0024023](#) [E6374G1](#) [e6389g2](#) [157-43GW8](#)  
[MS3117-14AC](#) [1643543-1](#) [1650540-1](#) [1651811-2](#) [1766260-1](#) [1766282-1](#) [1766966-1](#) [1791340000](#) [NLDFT-3-BL-L-S120-M40A](#) [NLDFT-N-](#)  
[W-L-C240-M40B](#) [NLS-2-R-C240-M40B](#) [NLS-N-W-C240-M40B](#) [NPS-3-BL-T6](#) [1986615-1](#) [2-1589900-8](#) [2199314-1](#) [KA8102](#)