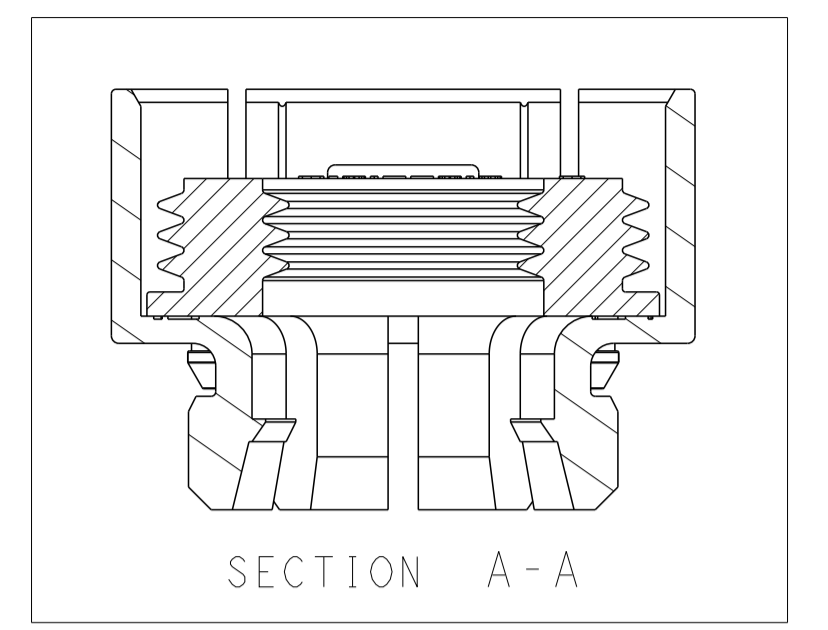
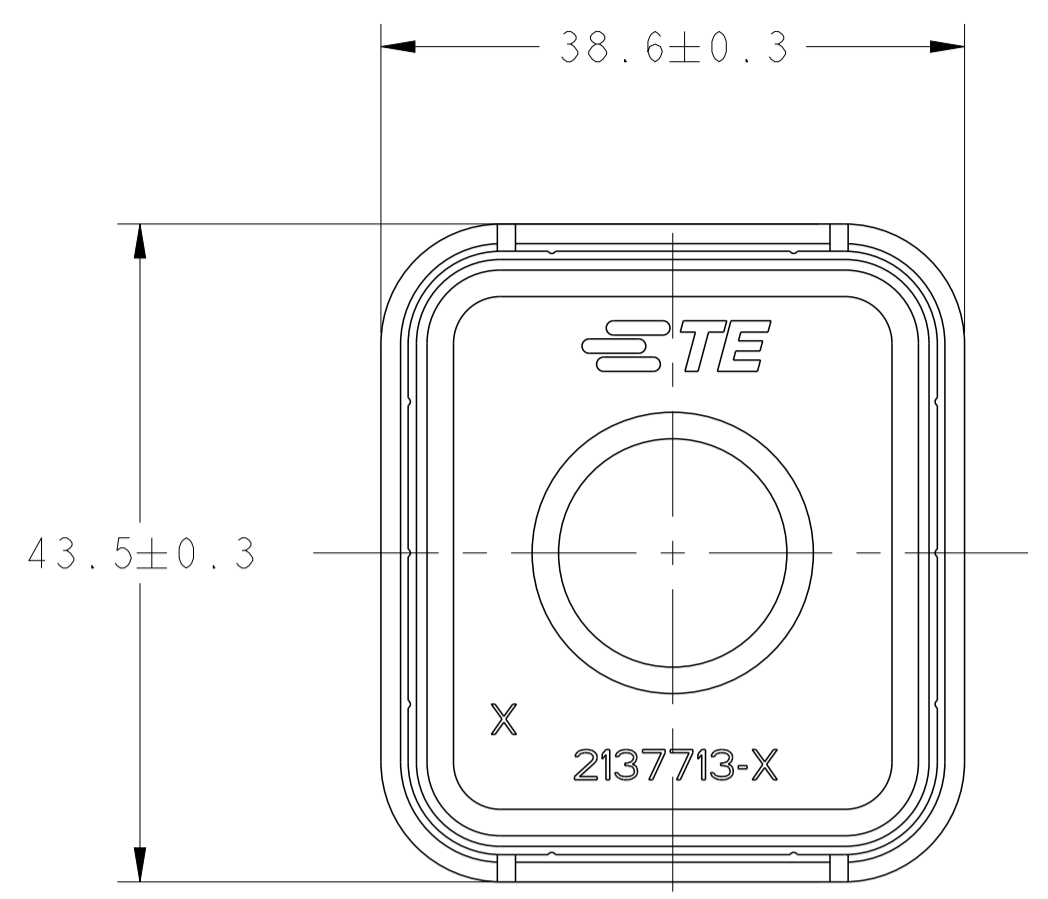
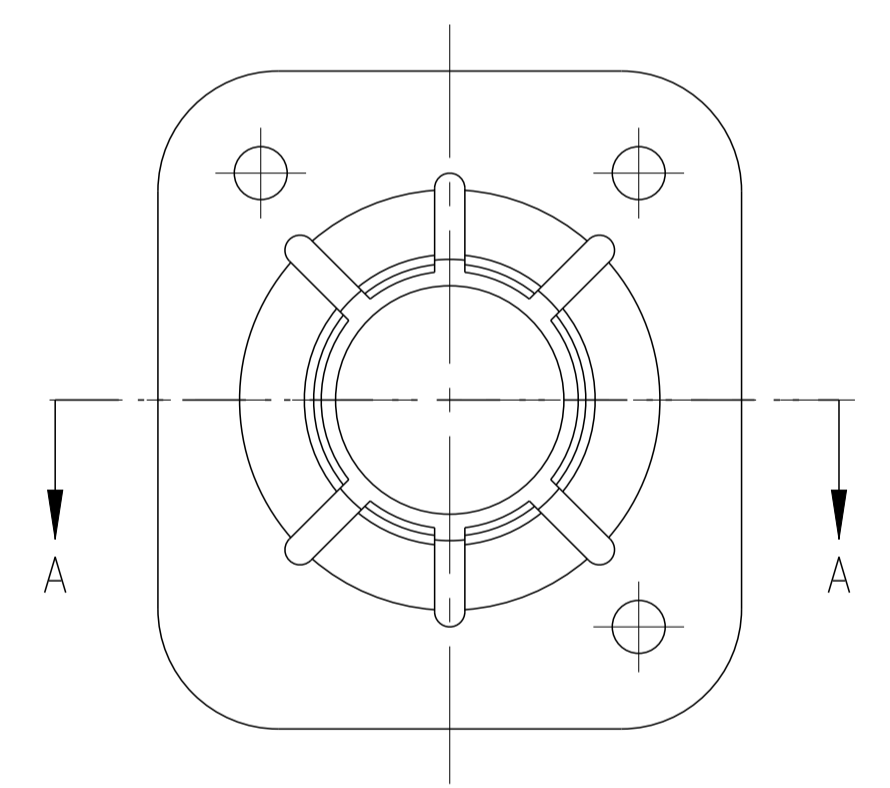
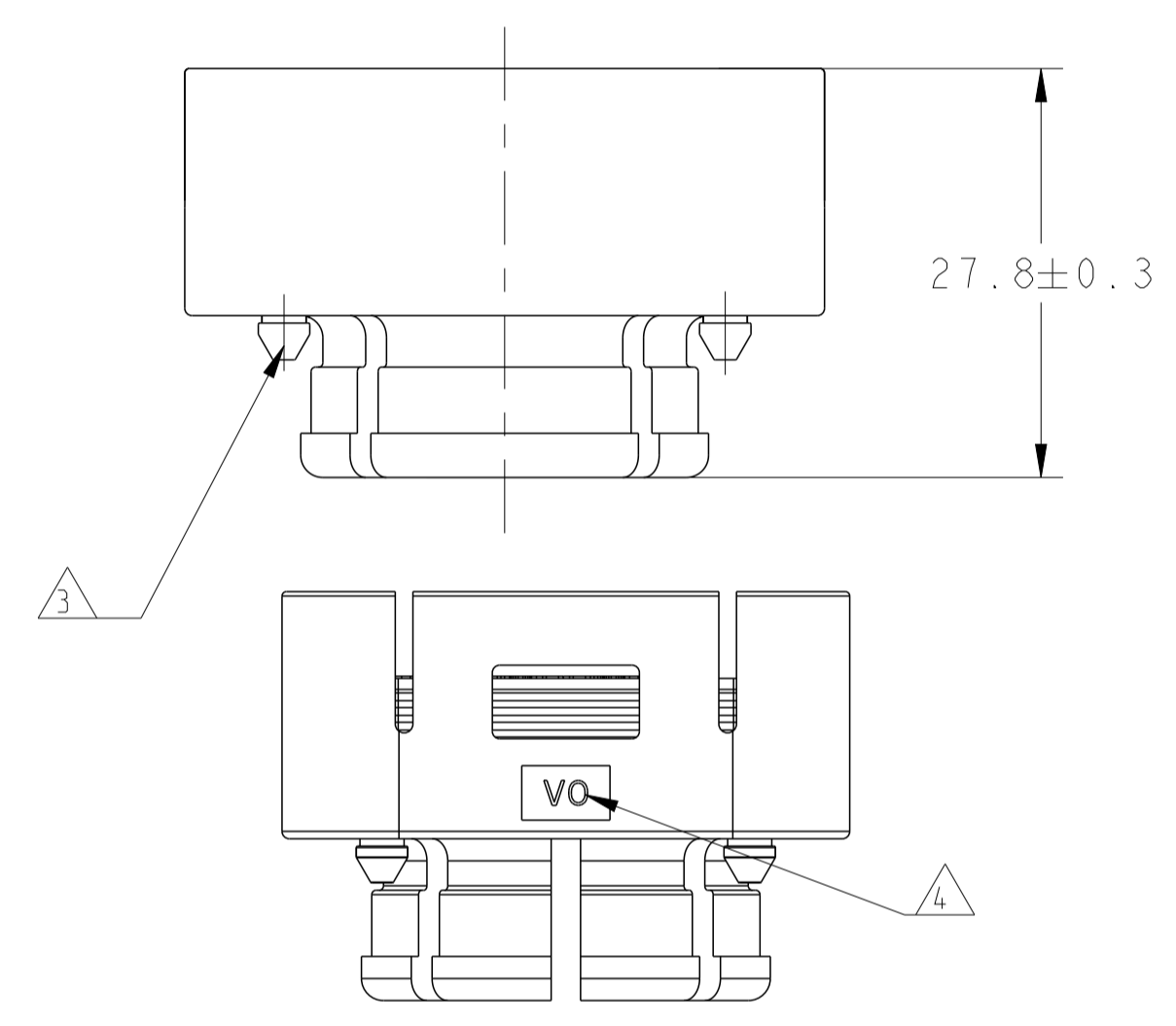
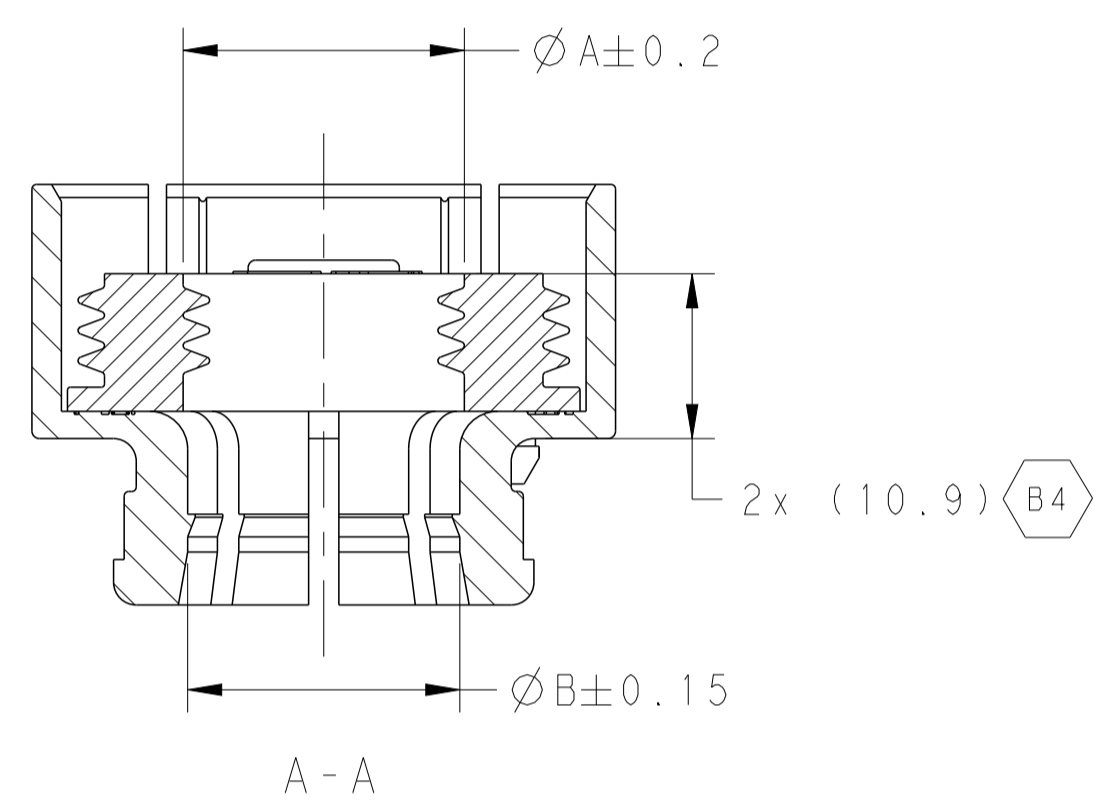
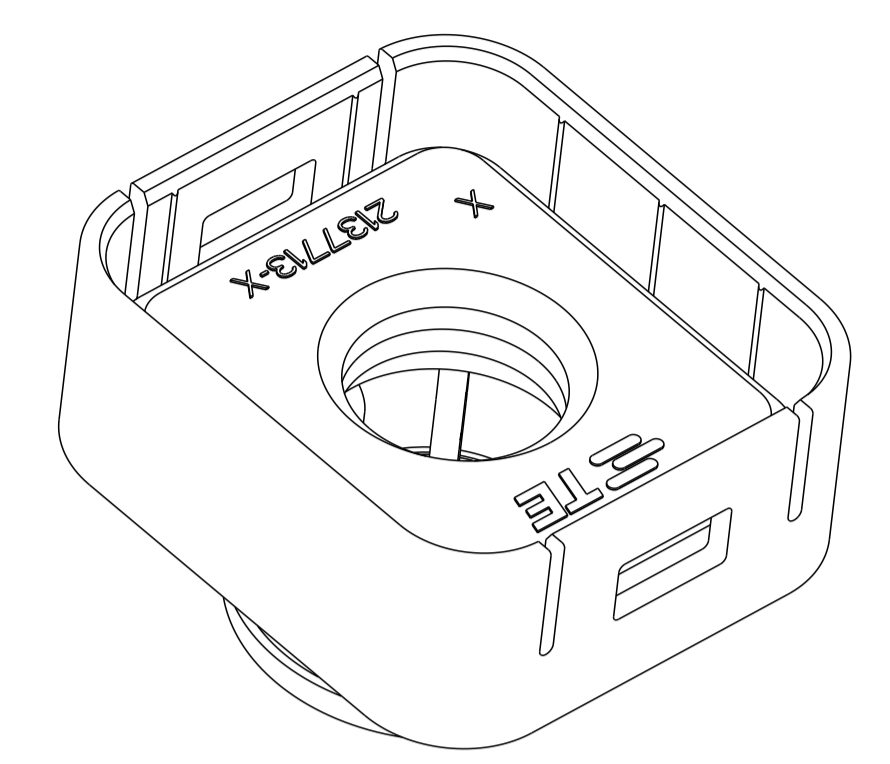
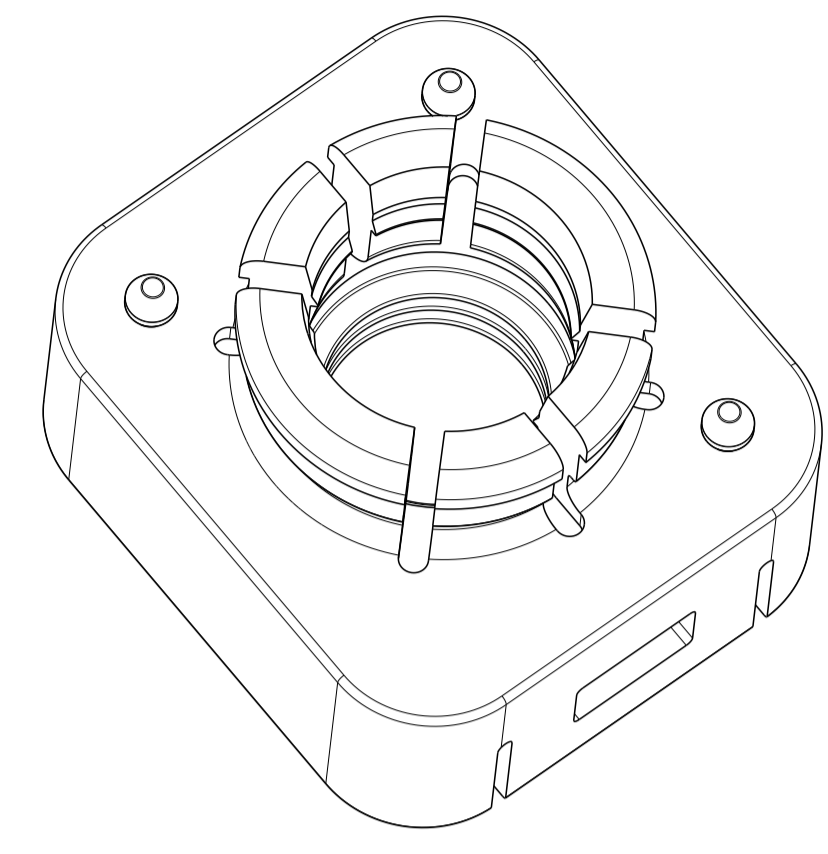


LOC	DIST	REVISIONS					
ES	00	P	LTH	DESCRIPTION	DATE	DWN	APVD
		B1		REVISED ECO-16-011243	15AUG16	JL	IY
		B2		REVISED ECO-16-017507	23JAN17	RP	IY
		B3		REVISED ECO-18-001679	23JAN18	DD	EJ
		B4		REVISED ECO-18-010787	03JUL18	DD	EJ

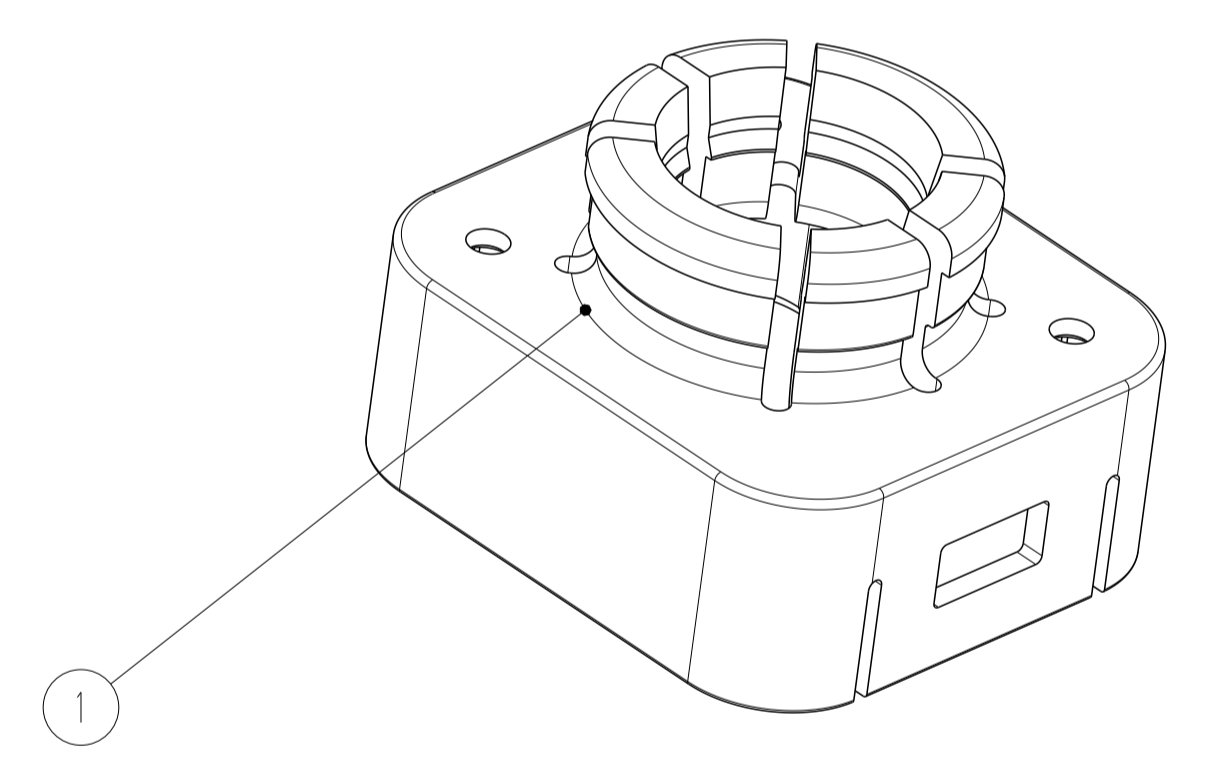


-6/7 AS SHOWN
 (SAME AS -3 EXCEPT DIM.B AND RIB)



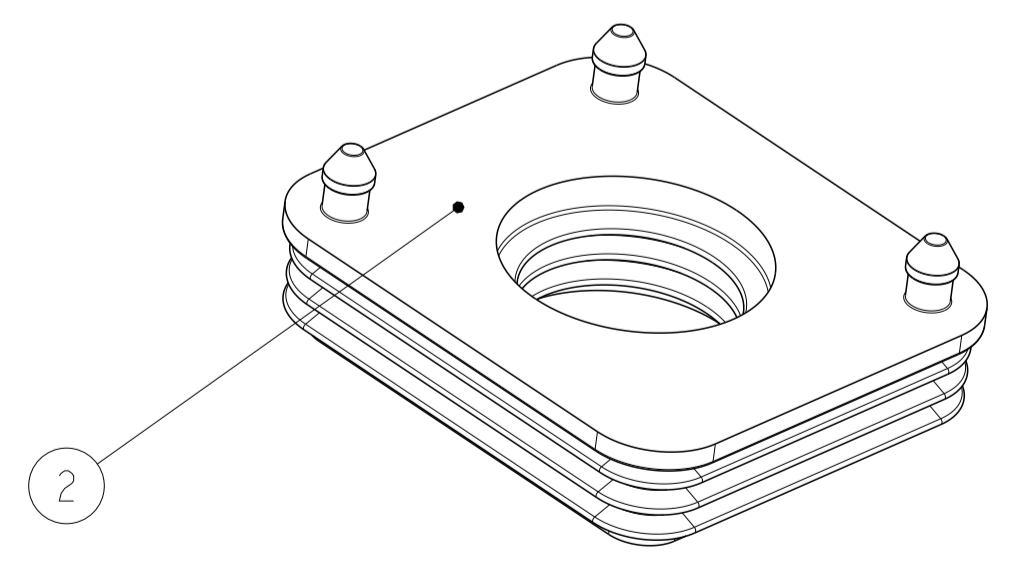
NOTES

- FINAL TEST: VISUAL INSPECTION FOR COMPLETENESS
- LAYER PACKING WITH CORRUGATED
- DIMPLES SHOULD BE VISIBLE.
- VO MARKING ONLY FOR VO PARTS, PN:1-2137711-X



1-2137711-7	2137711-7	18.60	20.0
1-2137711-6	2137711-6	18.60	19.2
1-2137711-4	2137711-4	20.45	20.1
1-2137711-3	2137711-3	18.60	17.5
TE ASSY NO V0	TE ASSY NO	A	B

TE-ASSY-NO	DESCRIPTION	TE PART-NO	DESCRIPTION	MATERIAL	SURFACE COLOR	QTY	ITEM
1-2137711-7	CBALE SEAL ASSY	2137713-3	SINGLE WIRE SEAL	XE20-531U OR EQUIVALENT	BLUE	1	2
		1-2137712-7	CABLE SEAL RETAINER V0	PA66 GF30 V0	ORANGE	1	1
1-2137711-6	CBALE SEAL ASSY	2137713-3	SINGLE WIRE SEAL	XE20-531U OR EQUIVALENT	BLUE	1	2
		1-2137712-6	CABLE SEAL RETAINER V0	PA66 GF30 V0	ORANGE	1	1
1-2137711-4	CBALE SEAL ASSY	2137713-4	SINGLE WIRE SEAL	XE20-531U OR EQUIVALENT	YELLOW	1	2
		1-2137712-4	CABLE SEAL RETAINER V0	PA66 GF30 V0	ORANGE	1	1
1-2137711-3	CBALE SEAL ASSY	2137713-3	SINGLE WIRE SEAL	XE20-531U OR EQUIVALENT	BLUE	1	2
		1-2137712-3	CABLE SEAL RETAINER V0	PA66 GF30 V0	ORANGE	1	1
2137711-7	CBALE SEAL ASSY	2137713-3	SINGLE WIRE SEAL	XE20-531U OR EQUIVALENT	BLUE	1	2
		2137712-7	CABLE SEAL RETAINER	PA66 GF30	ORANGE	1	1
2137711-6	CBALE SEAL ASSY	2137713-3	SINGLE WIRE SEAL	XE20-531U OR EQUIVALENT	BLUE	1	2
		2137712-6	CABLE SEAL RETAINER	PA66 GF30	ORANGE	1	1
2137711-4	CBALE SEAL ASSY	2137713-4	SINGLE WIRE SEAL	XE20-531U OR EQUIVALENT	YELLOW	1	2
		2137712-4	CABLE SEAL RETAINER	PA66 GF30	ORANGE	1	1
2137711-3	CBALE SEAL ASSY	2137713-3	SINGLE WIRE SEAL	XE20-531U OR EQUIVALENT	BLUE	1	2
		2137712-3	CABLE SEAL RETAINER	PA66 GF30	ORANGE	1	1



-3 AS SHOWN

THIS DRAWING IS A CONTROLLED DOCUMENT. DWN: E. WANG 08NOV11
 CHK: N. ZHOU 08NOV11
 APVD: K. QDA 08NOV11

STE TE Connectivity

NAME: CABLE SEAL ASSY

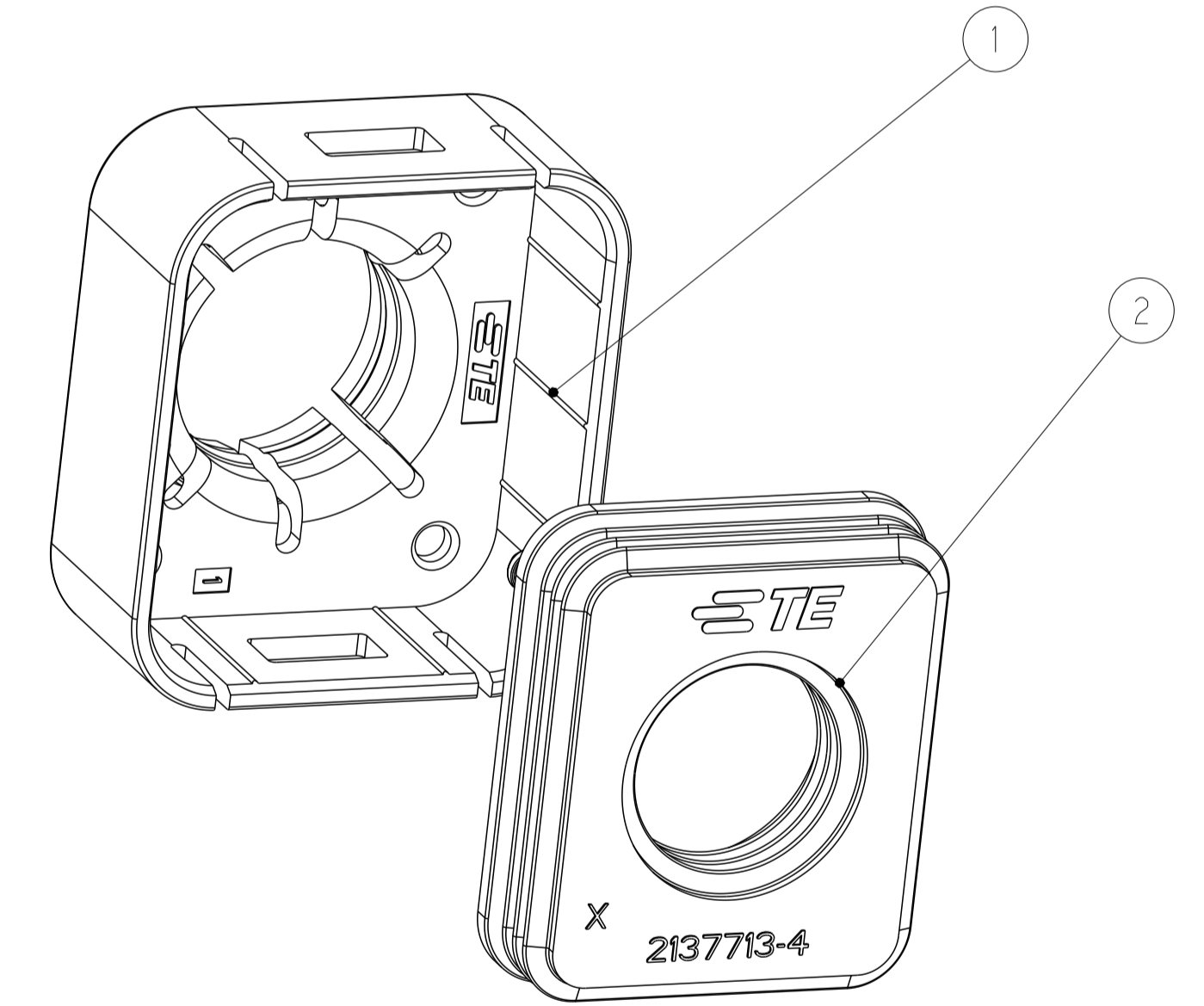
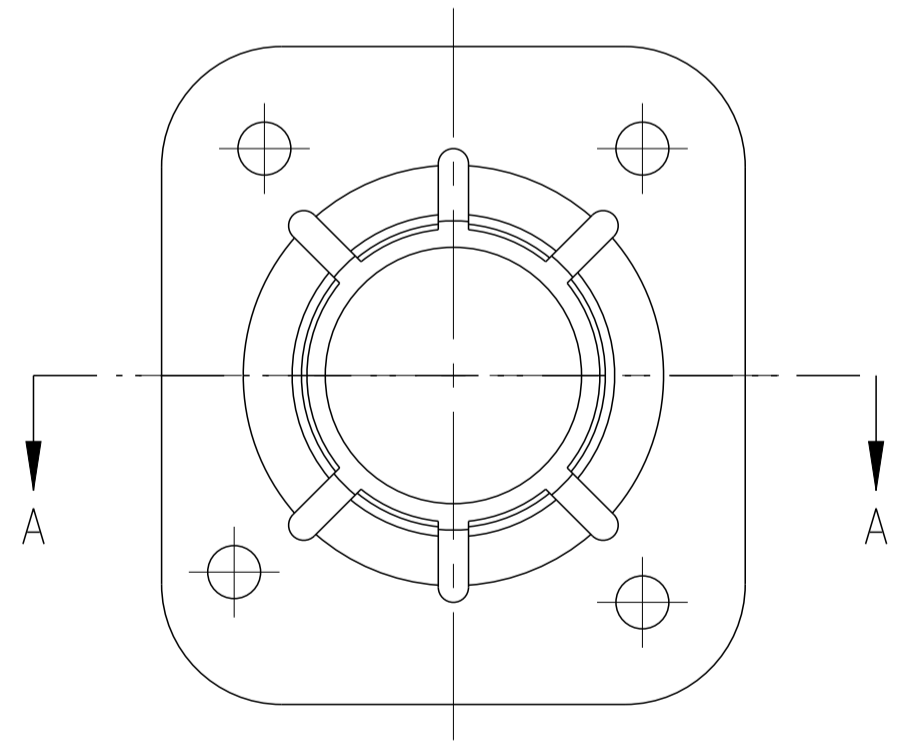
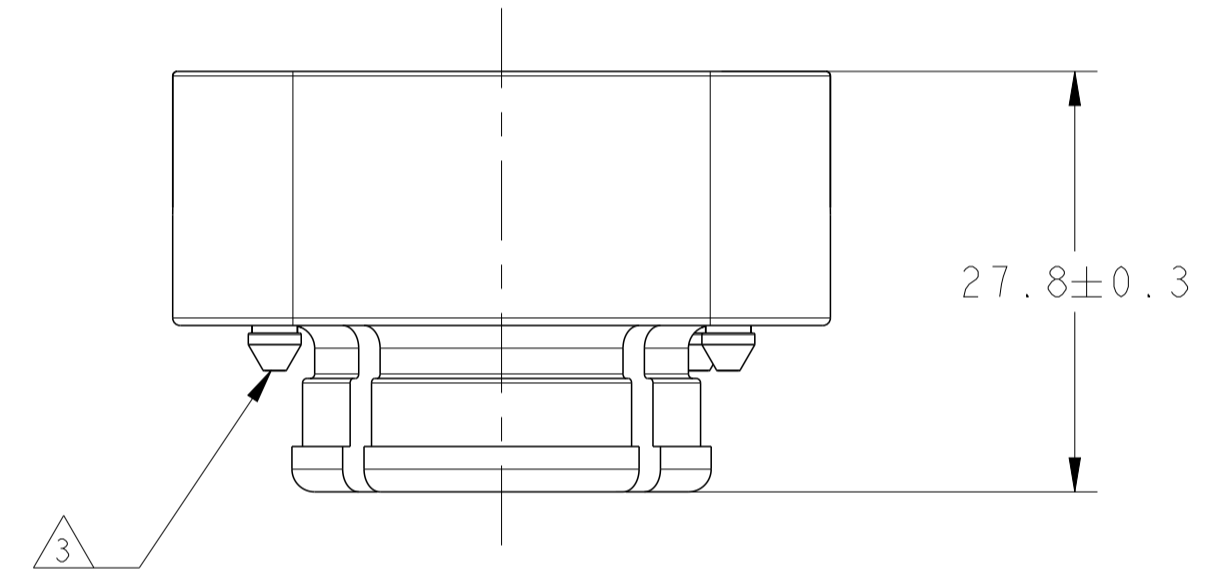
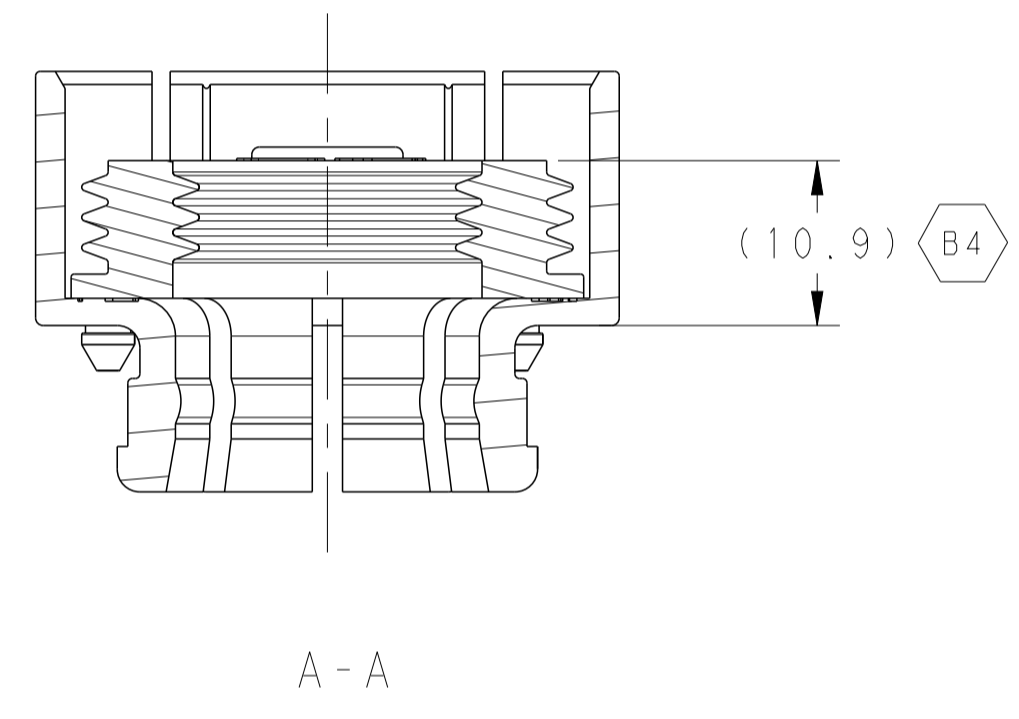
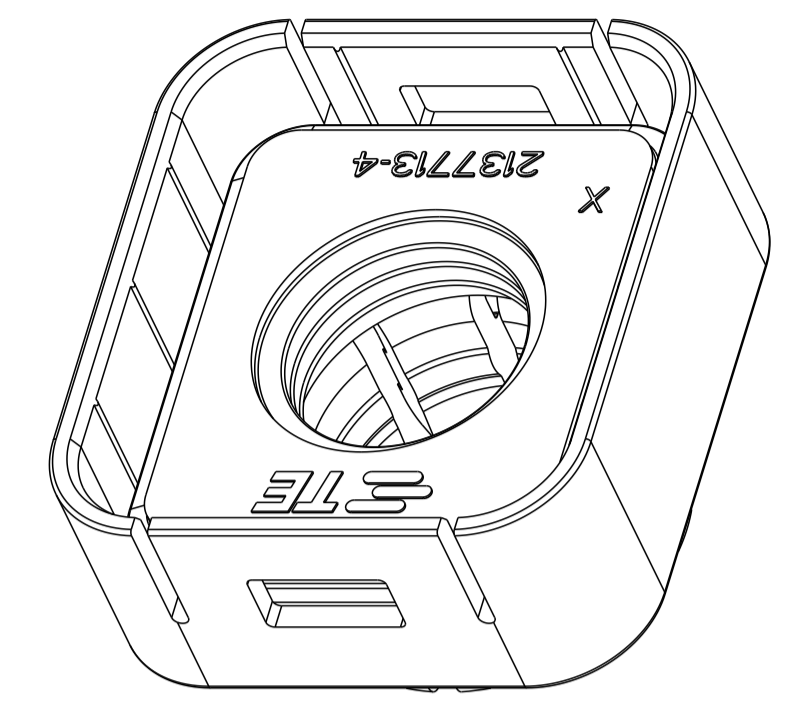
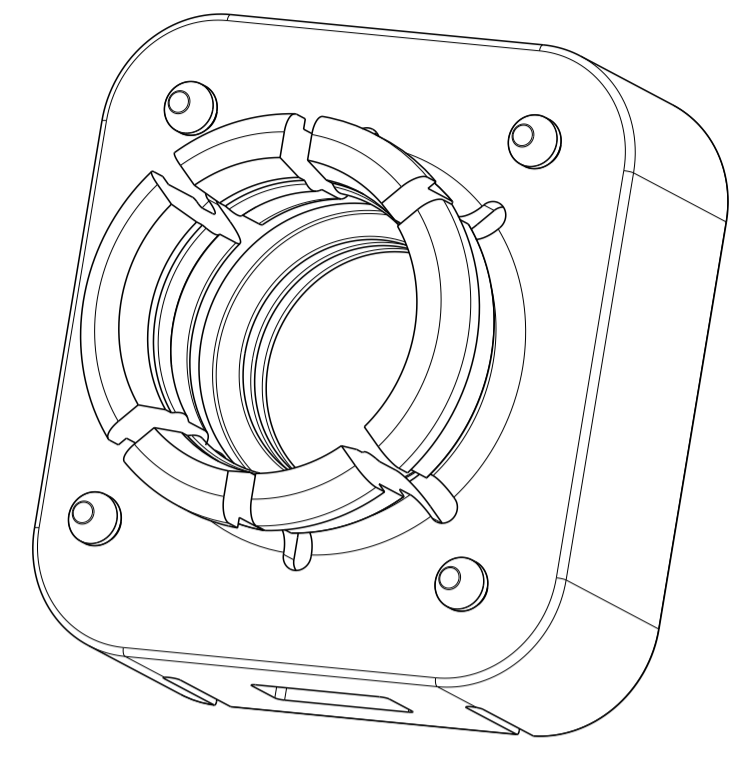
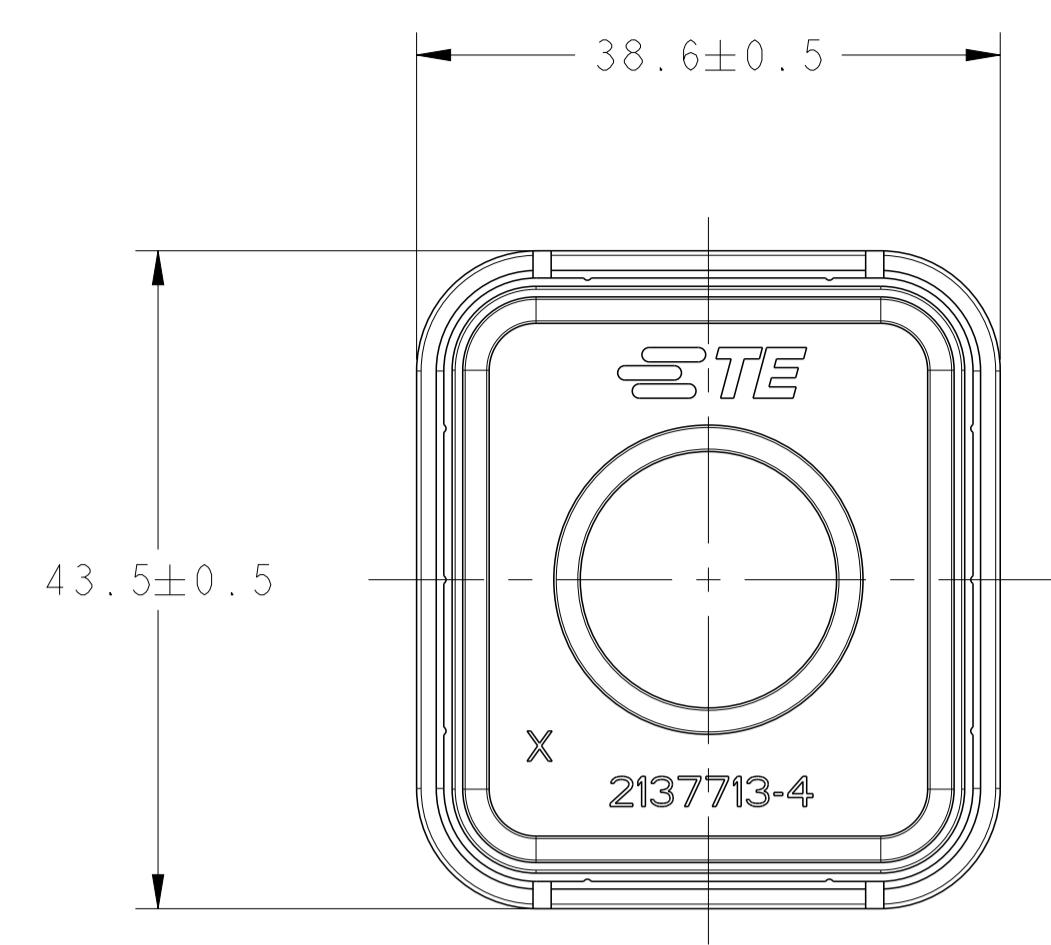
PRODUCT SPEC: -
 APPLICATION SPEC: -

SIZE: A1 00779 C=2137711
 CAGE CODE: -
 DRAWING NO: -
 RESTRICTED TO: -

MATERIAL: -
 FINISH: -
 WEIGHT: -
 CUSTOMER DRAWING

SCALE: 2:1 SHEET 1 OF 2 REV: B4

REVISIONS				
P.	LTN	DESCRIPTION	DATE	APVD
-	-	SEE SHEET 1	-	-



- 4 AS SHOWN

THIS DRAWING IS A CONTROLLED DOCUMENT.		OWN: E. WANG 08NOV11	TE Connectivity
DIMENSIONS: mm		CHK: N. ZHOU 08NOV11	
TOLERANCES UNLESS OTHERWISE SPECIFIED:		APVD: K. QDA 08NOV11	NAME: CABLE SEAL ASSY
PLC	±0.5	PRODUCT SPEC	SIZE: A1
2 PLC	±0.5	APPLICATION SPEC	CAGE CODE: -
3 PLC	±0.13	WEIGHT: -	DRAWING NO: C=2137711
4 PLC	±0.0001	CUSTOMER DRAWING	RESTRICTED TO: -
ANGLES	*	SCALE: 1:1	SHEET 2 OF 2
FINISH	-	REV: B4	

X-ON Electronics

Largest Supplier of Electrical and Electronic Components

Click to view similar products for [Automotive Connectors](#) category:

Click to view products by [TE Connectivity](#) manufacturer:

Other Similar products are found below :

[003-018-000](#) [60403001](#) [60993906-B](#) [M902-2131](#) [M902-2161](#) [M902-2344](#) [72.330.1035.1](#) [73.353.4028.0](#) [F119300-B](#) [F166900](#) [F258300-B](#)
[F358300-B](#) [F407400](#) [F444110](#) [F487000](#) [F509500B-B](#) [827153-1](#) [8N1515-32-24P](#) [9-1326729-8](#) [925474-1](#) [928905-1](#) [964562-4](#) [968782-1](#)
[GT17SA-8DS-HU](#) [98891-1012](#) [98947-1016](#) [12004147](#) [12004475-L](#) [12010290](#) [12010309-B](#) [12015454](#) [12020219-B](#) [12041318-B](#) [12052225-](#)
[L](#) [12052466](#) [12064869](#) [12004327-B](#) [12015308](#) [12015384](#) [12015909](#) [1-21030-1](#) [12041254](#) [12041318](#) [12047946-B](#) [12047957](#) [12047957-L](#)
[12059473](#) [12066261](#) [12110546](#) [12110546-B](#)