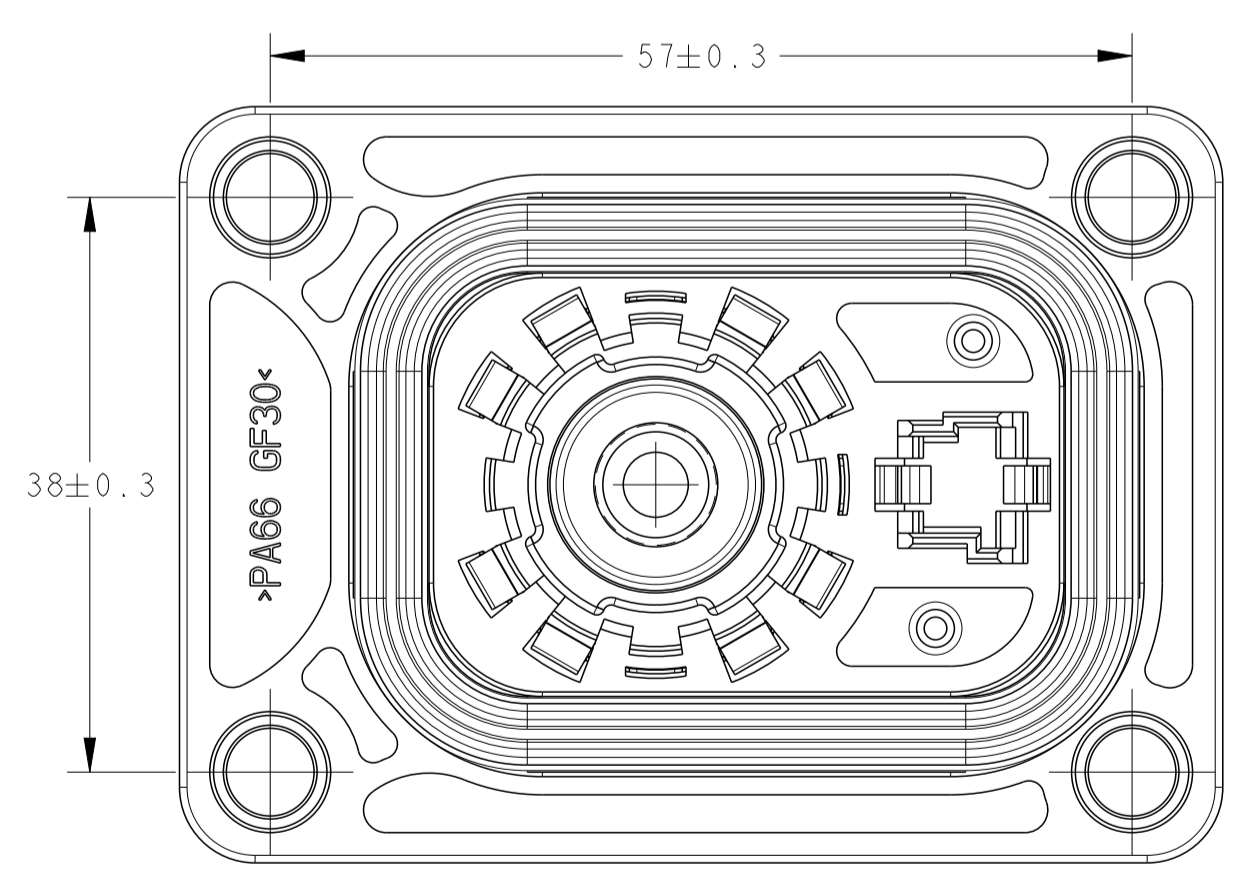
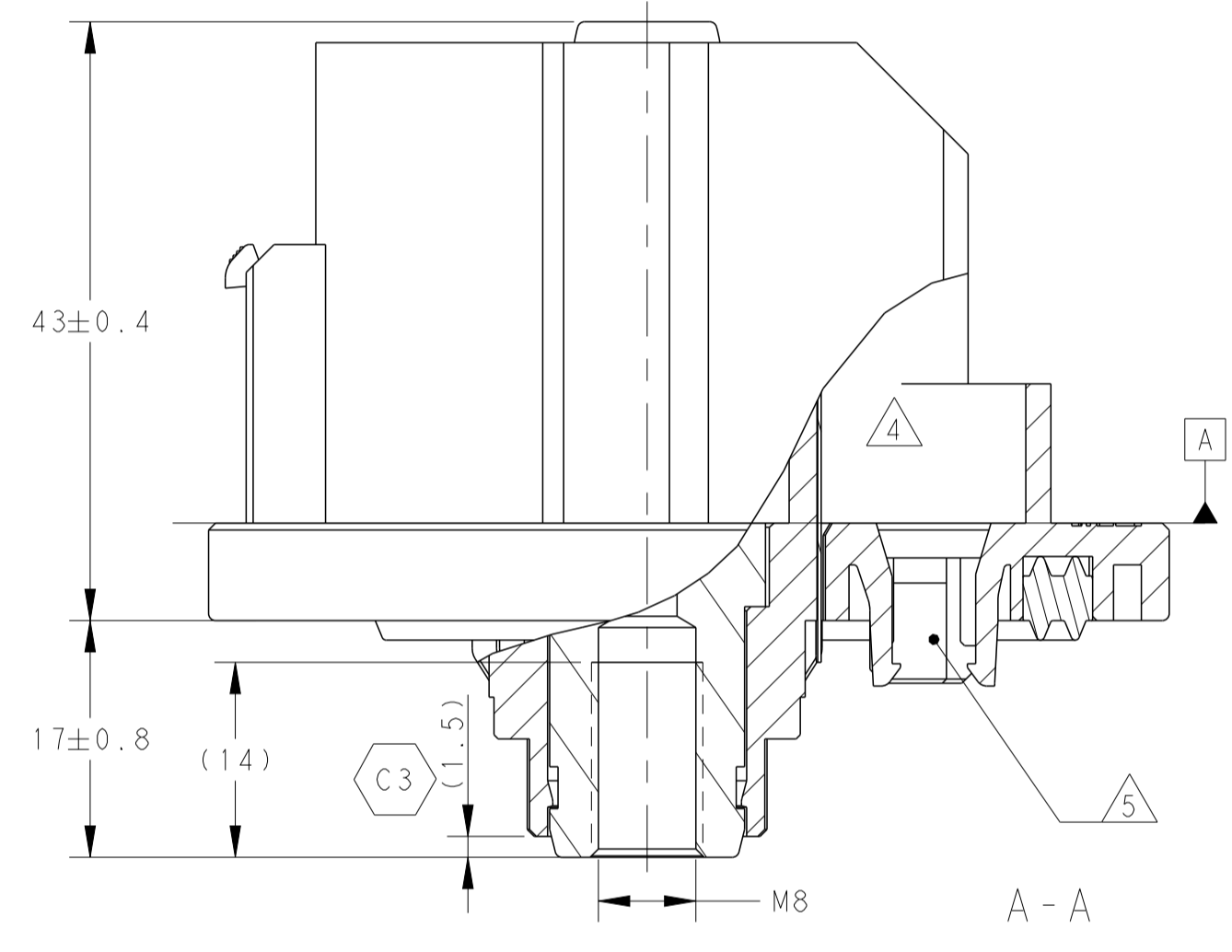
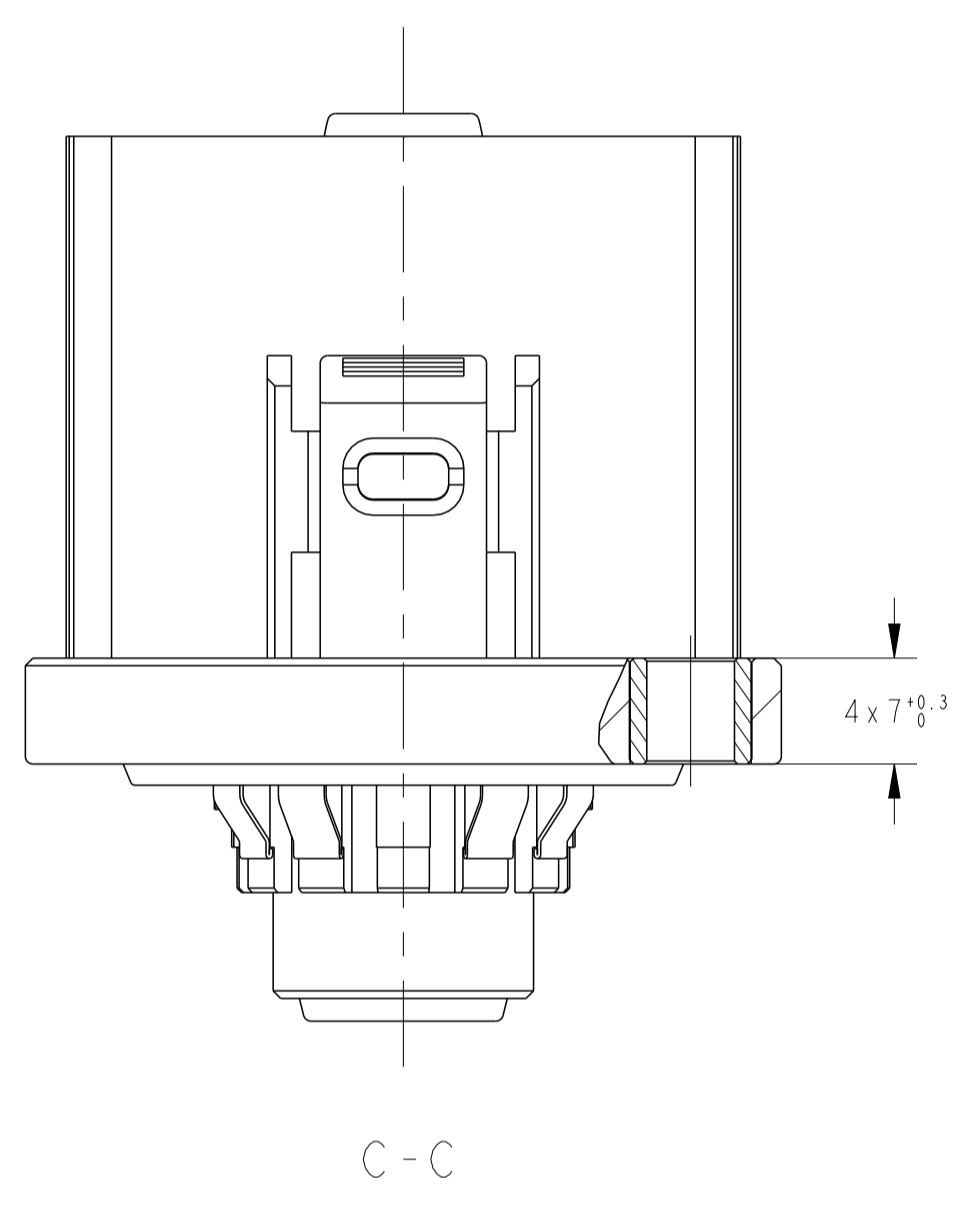
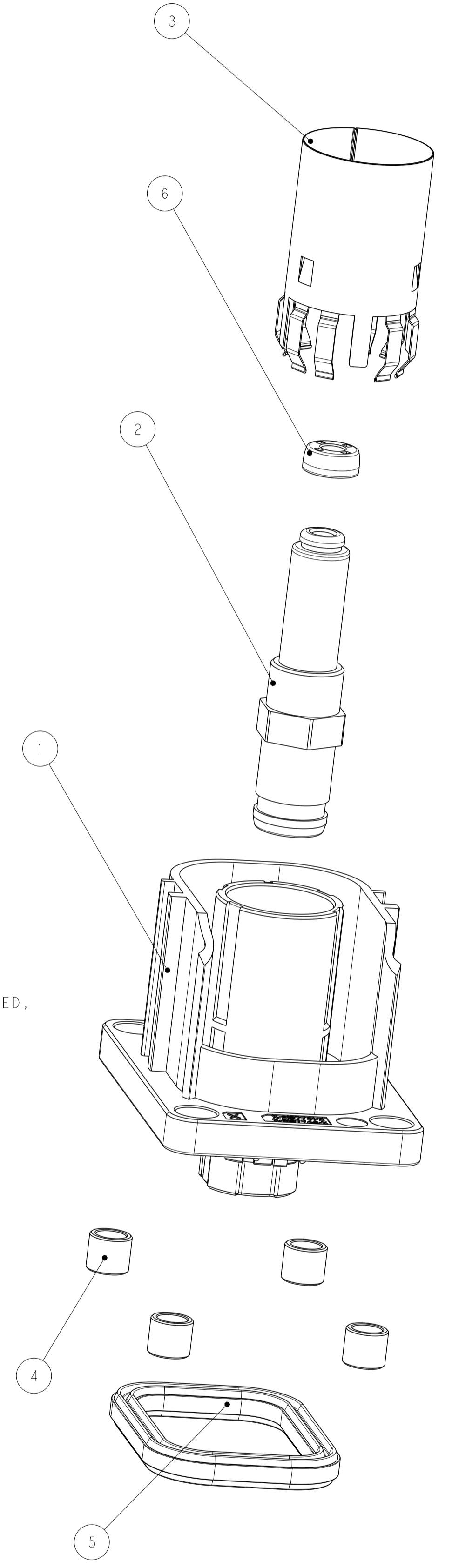
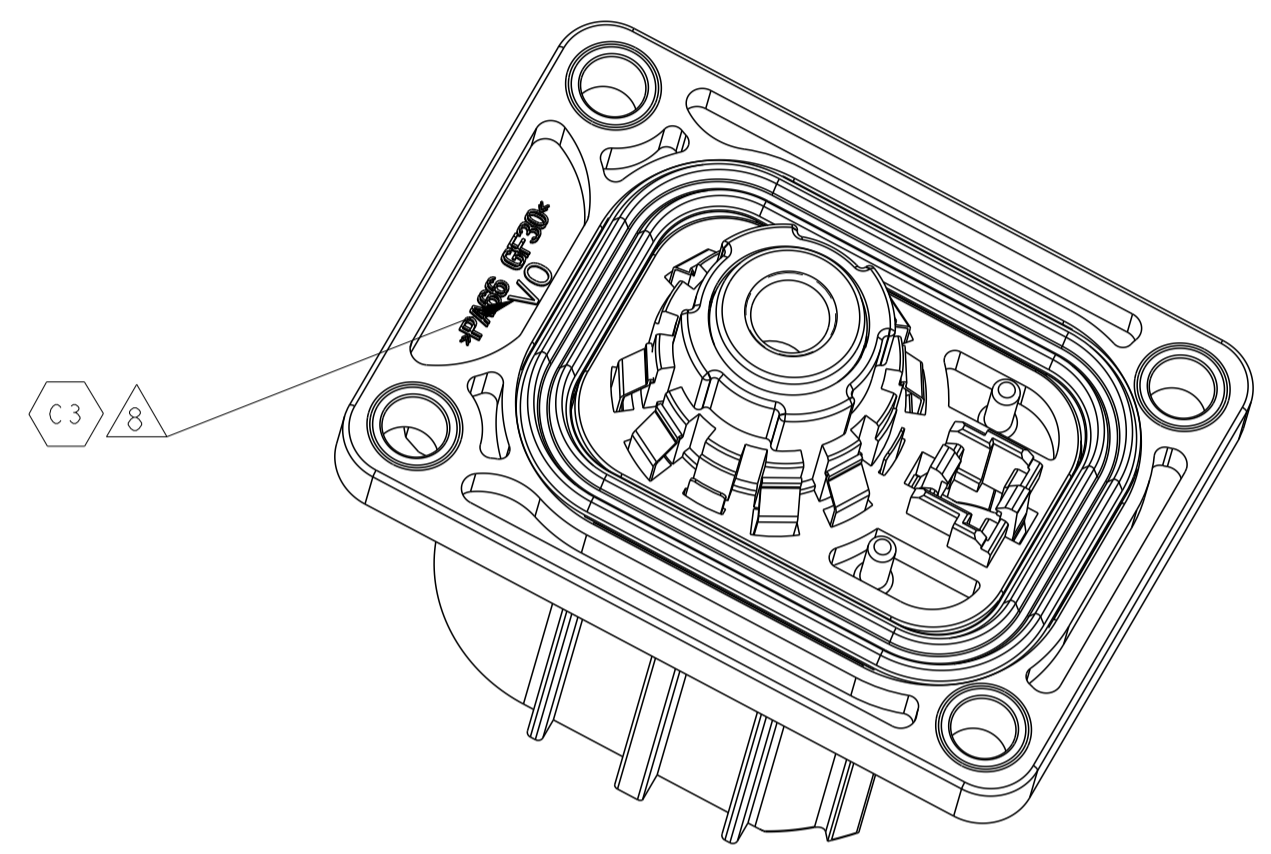
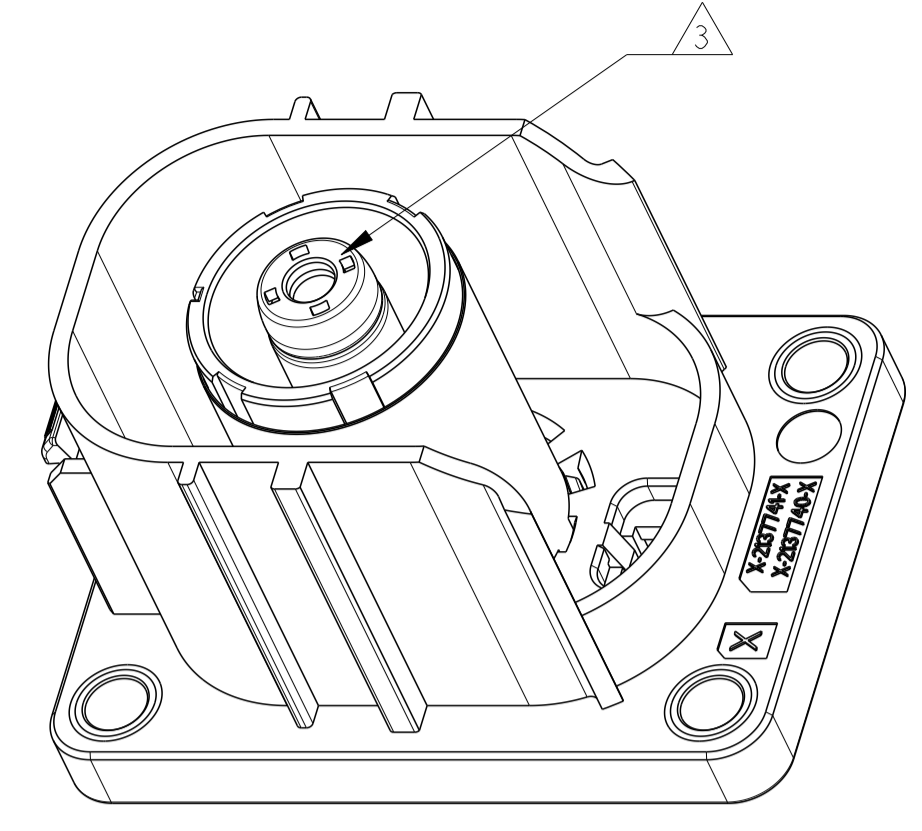
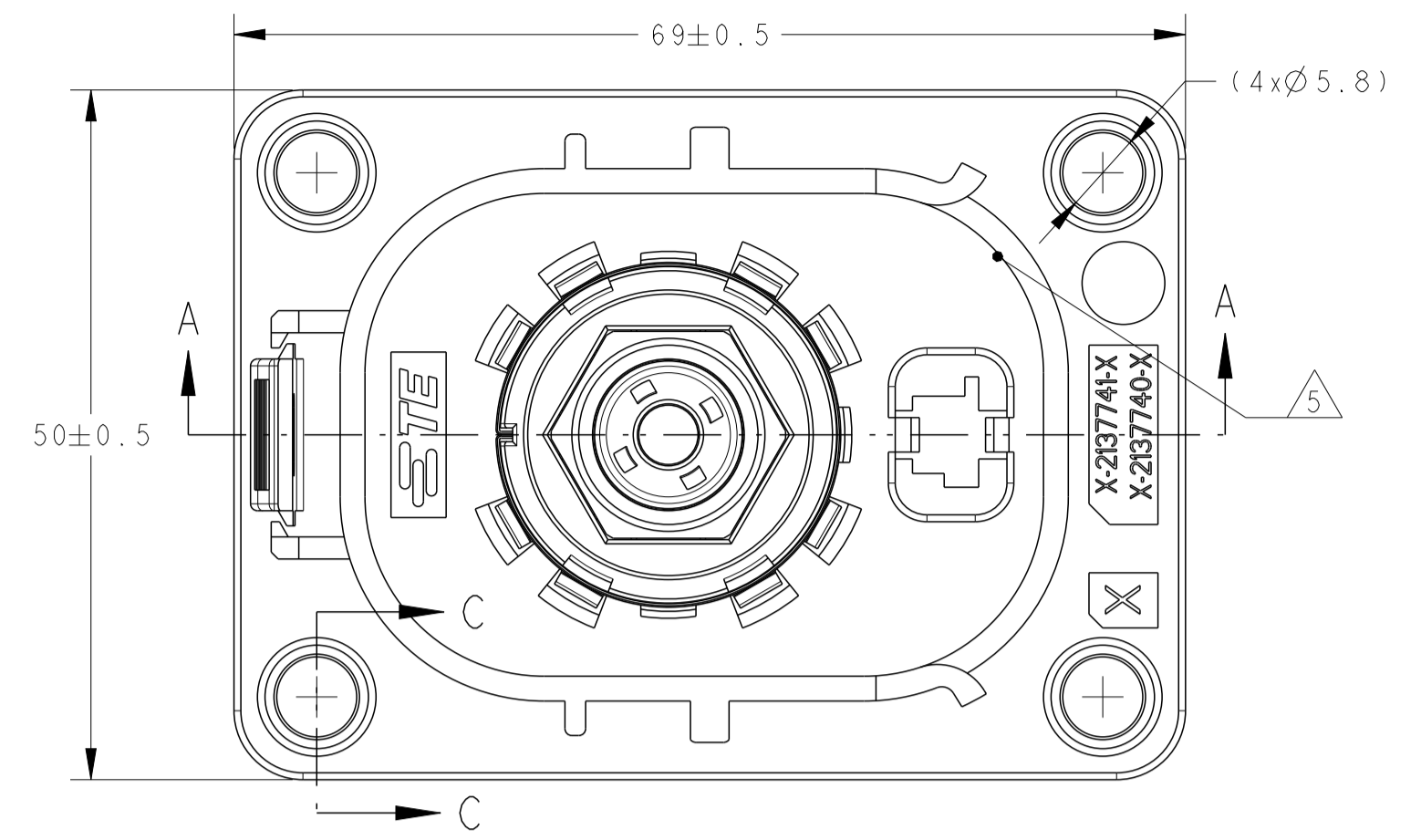


LOC	DIST	REVISIONS			
P	LTR	DESCRIPTION	DATE	DMN	APVD
C		REVISED ECO-16-010873	15DEC15	JL	JY
C1		REVISED ECO-16-011243	15AUG16	JL	JY
C2		REVISED ECO-17-016624	06DEC17	DD	EJ
C3		REVISED ECO-18-016296	15DEC2018	DD	EJ



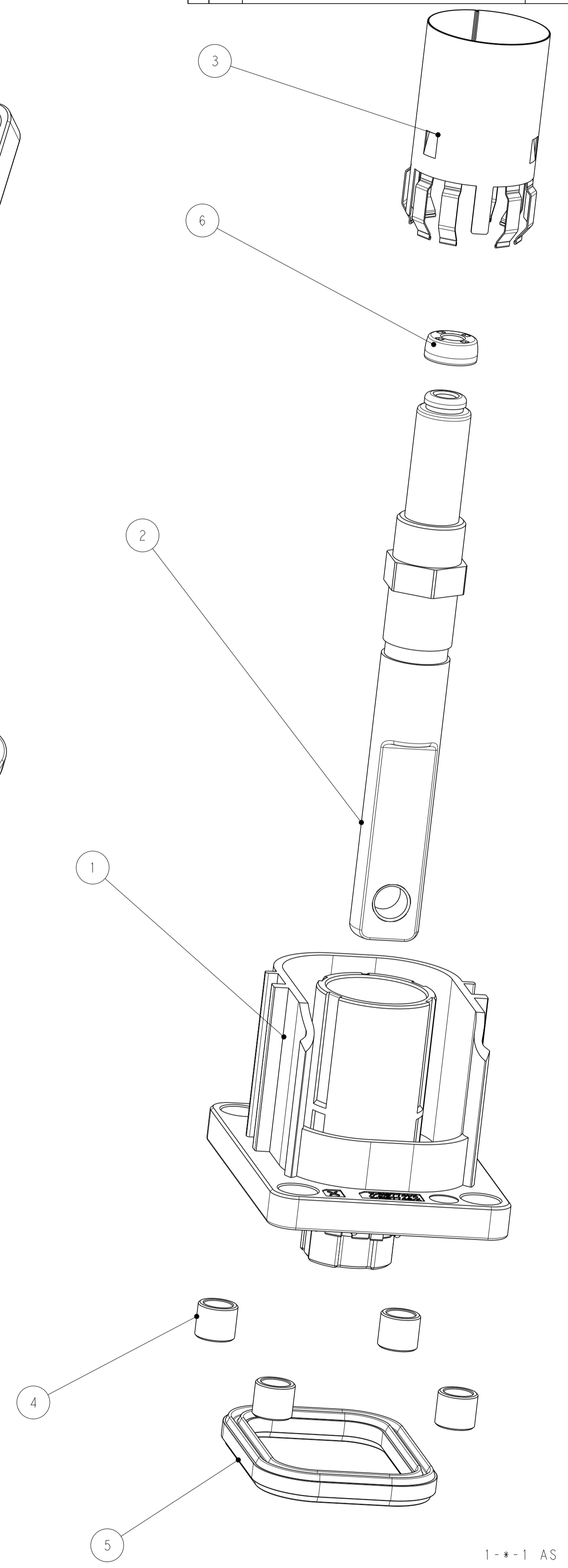
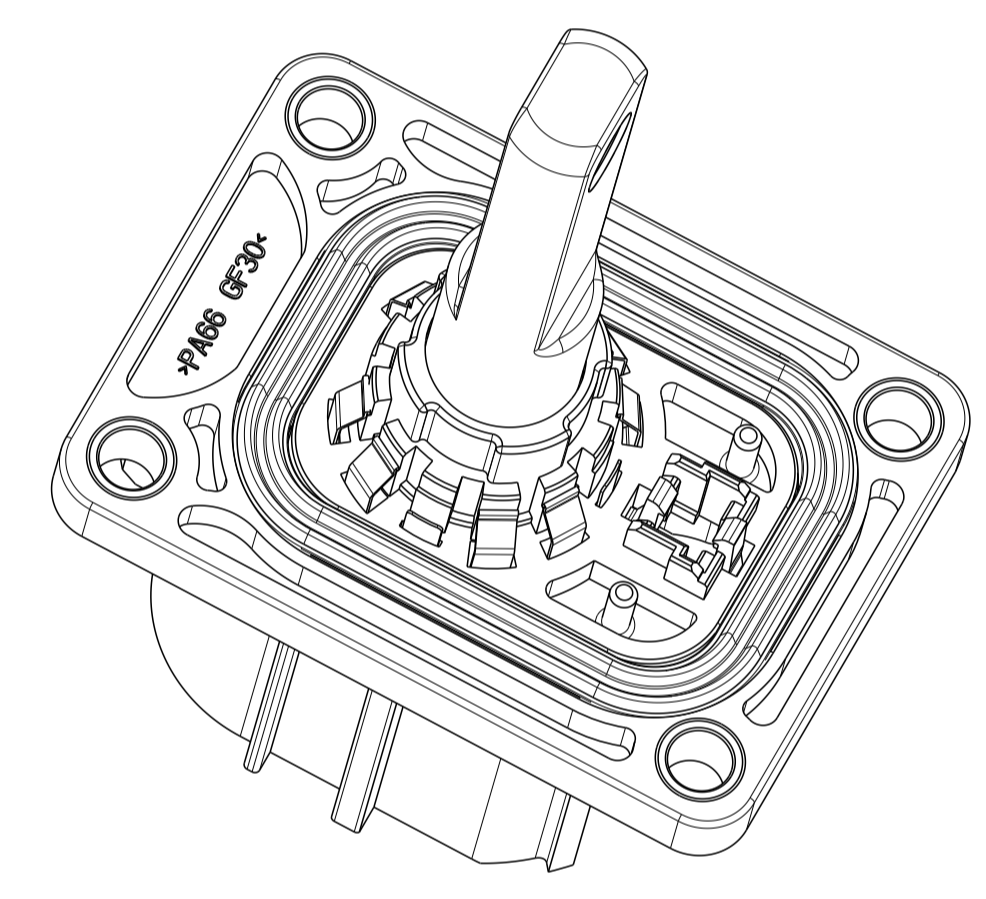
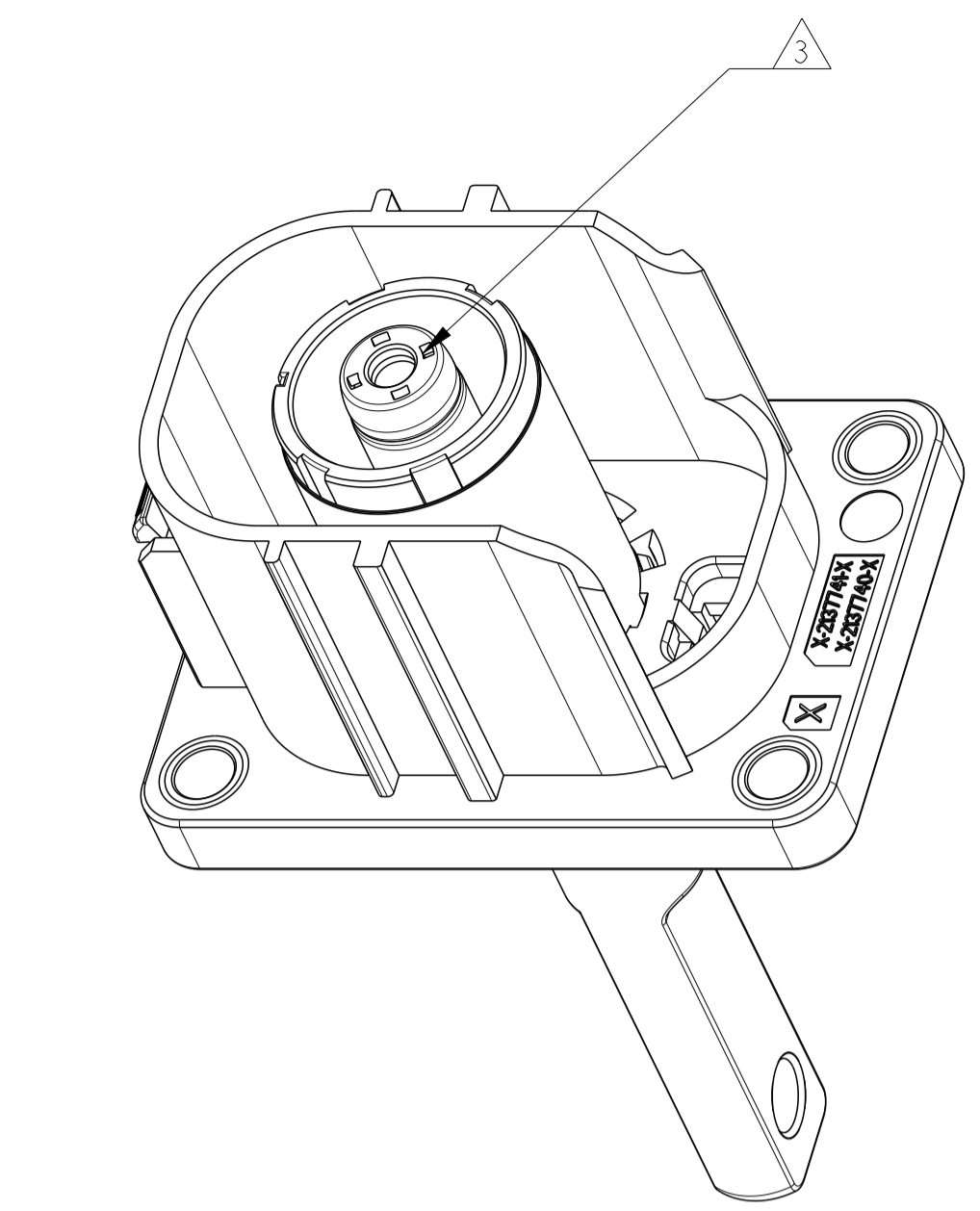
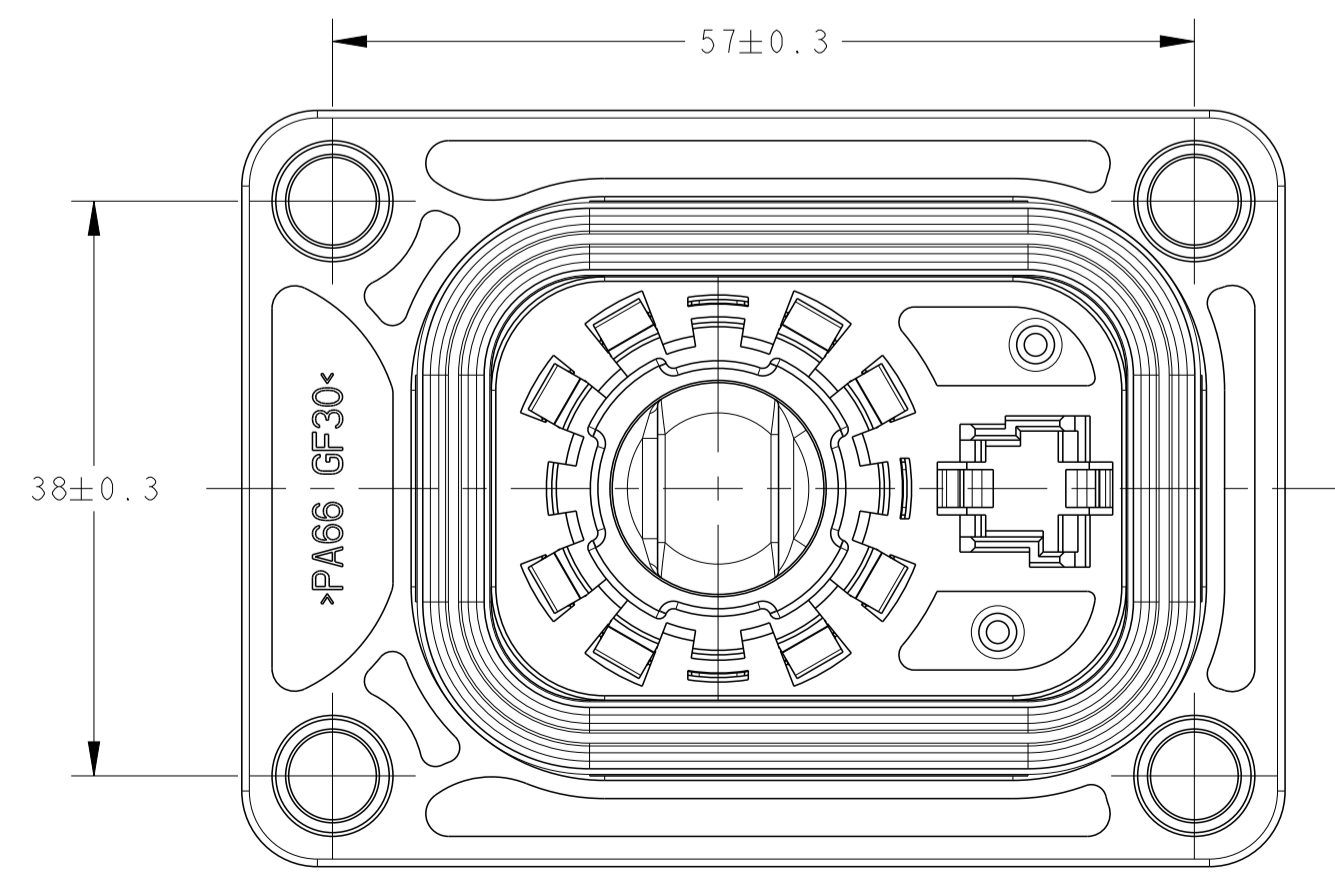
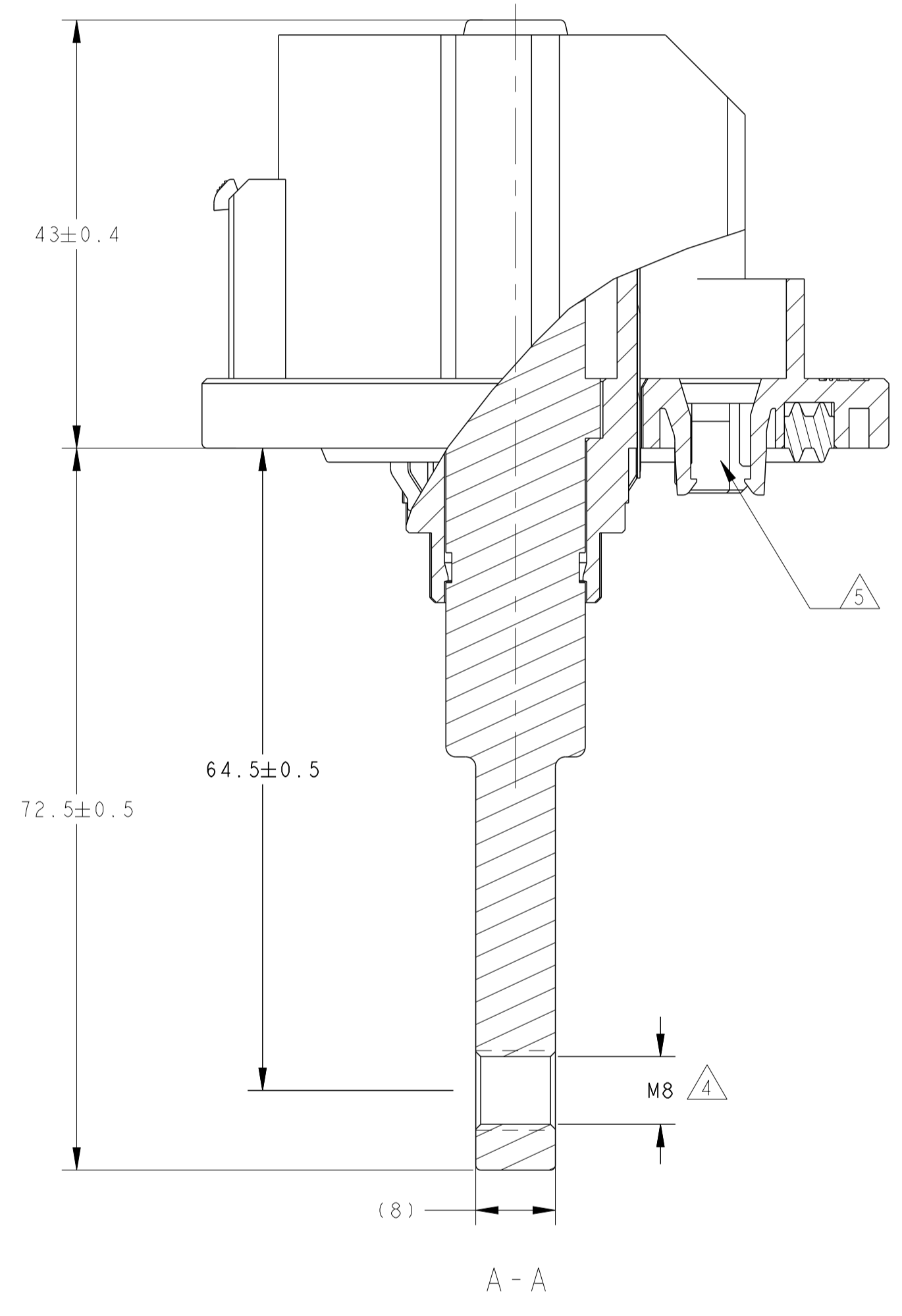
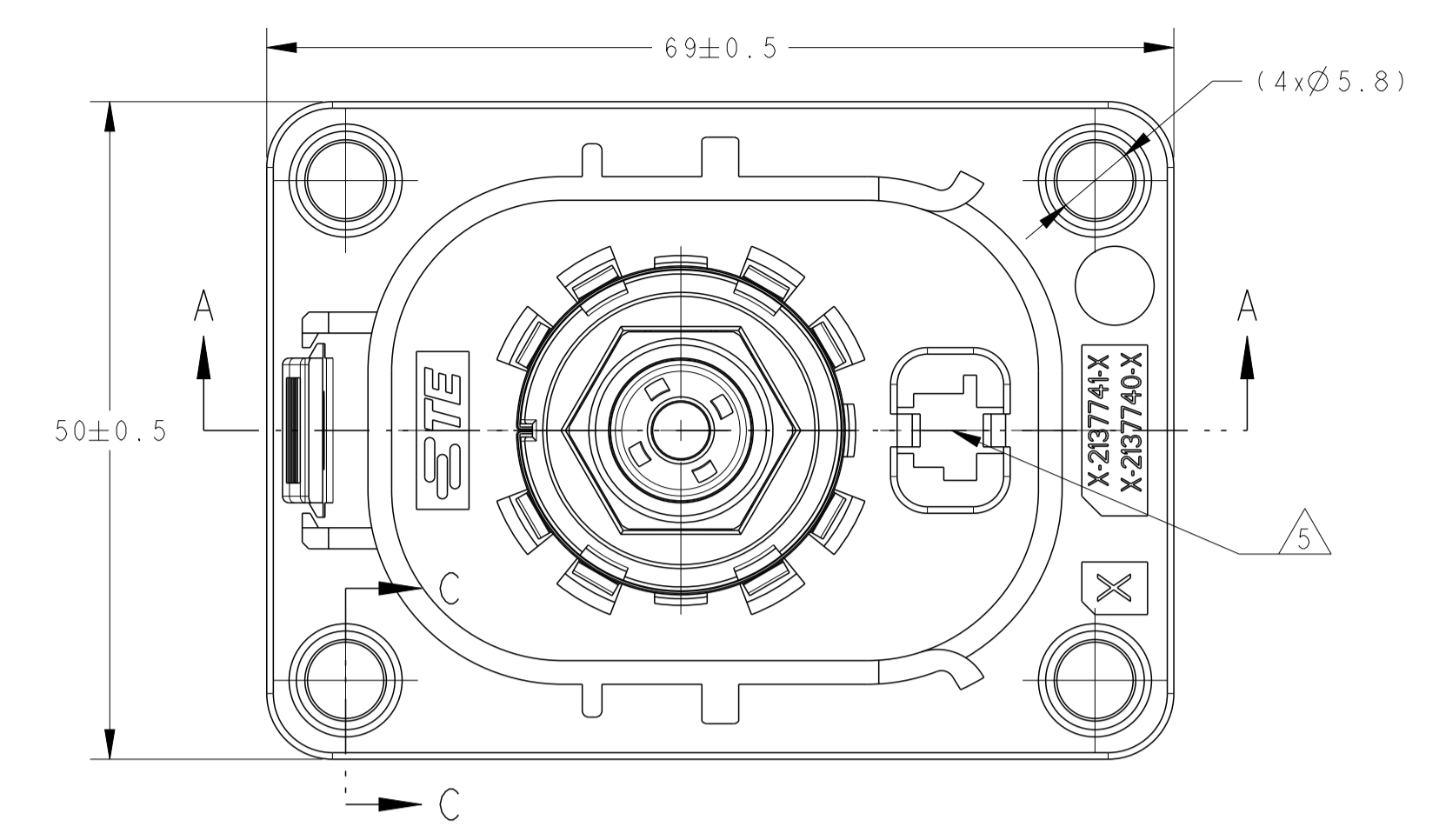
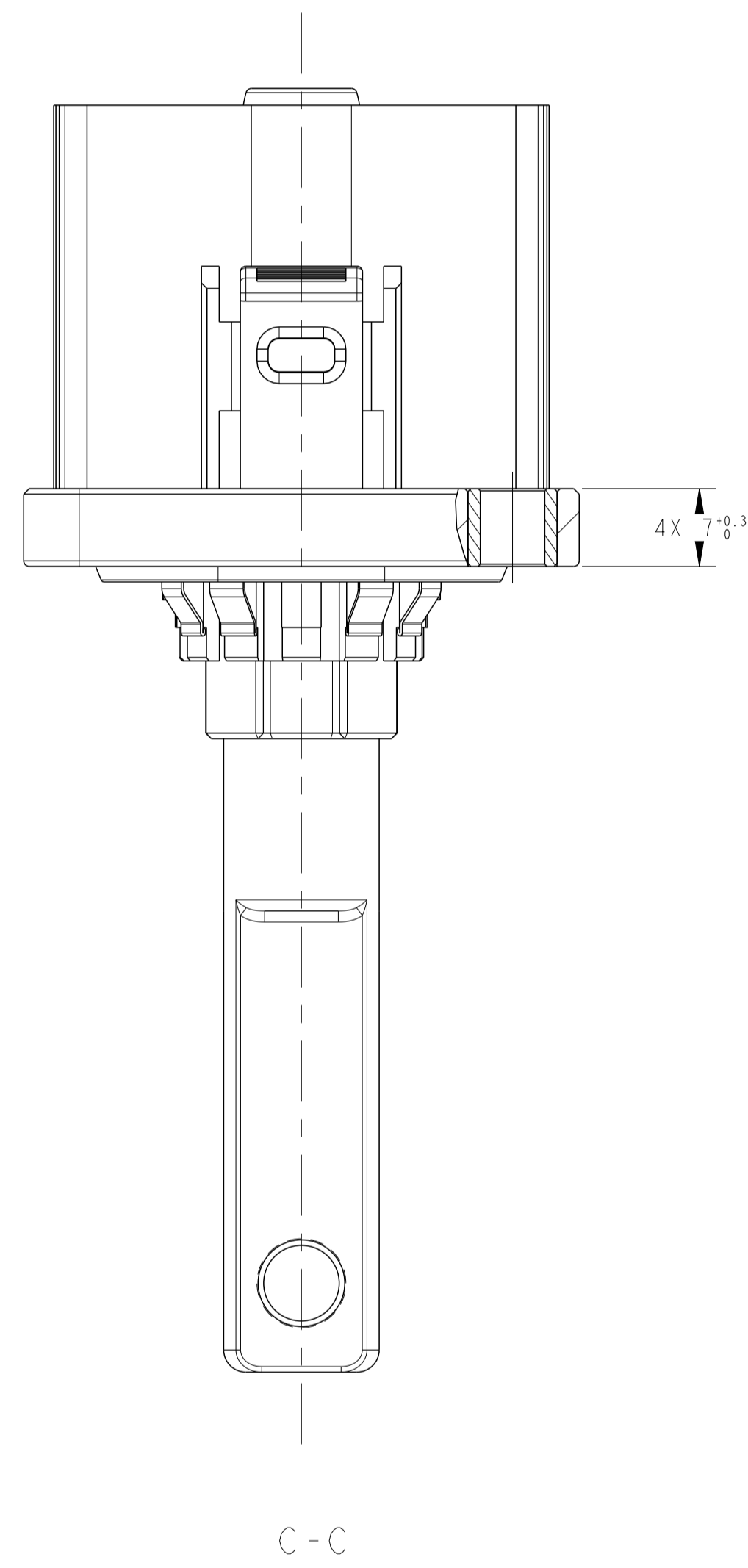
NOTES

1. FINAL TEST: VISUAL INSPECTION FOR COMPLETENESS
2. LAYER PACKING WITH CORRUGATED
3. MUST MEET TOUCH SAFE REQUIREMENT PER IEC 60529
4. RECOMMENDED TIGHTENING TORQUE OF THE SCREW: M8=10±1NM.
5. USABLE 2P MOS SOCKET HOUSING P/N:1-1718333-1
6. CODING AREA
7. MIN SEALING AREA AROUND, NO BURR, TOOLING PARTING, SHRINKAGE PERMITTED, SURFACE QUALITY: Ra<=0.8um
8. VO MAIRKING ONLY FOR VO PART,P/N:3-2137740-*

(0-)*-1
3-* -1 AS SHOWN.

THIS DRAWING IS A CONTROLLED DOCUMENT.		DMN E. WANG 08NOV11	TE Connectivity NAME HVP1100 IPOS HEADER ASSY
DIMENSIONS:		CHK N. ZHOU 08NOV11	
mm	TOLERANCES UNLESS OTHERWISE SPECIFIED:	APVD K. ODA 08NOV11	PRODUCT SPEC
Ø	±0.3	NAME	108-101010
PLC	±0.5	APPLICATION SPEC	114-101010
PLC	±0.25	SIZE	CAGE CODE
PLC	±0.13	DRAWING NO	RESTRICTED TO
PLC	±0.075	A100779C=2137740	
PLC	±0.05	SCALE	2:1
PLC	±0.025	SHEET	1 OF 5
PLC	±0.0125	REV	C3
PLC	±0.00625	CUSTOMER DRAWING	

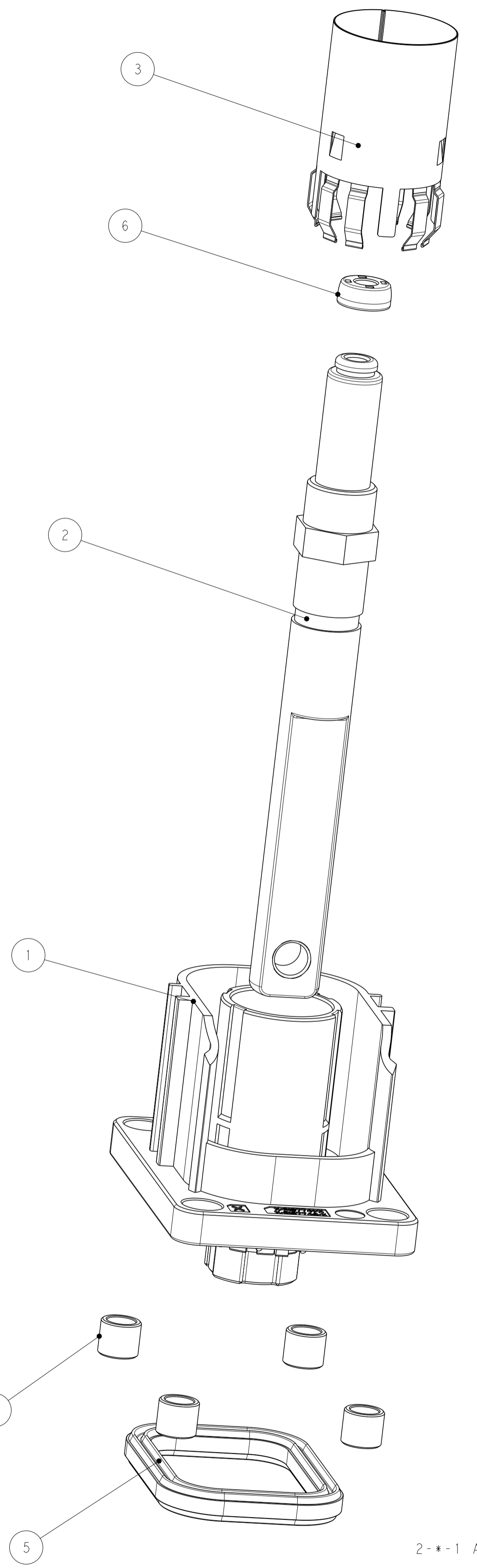
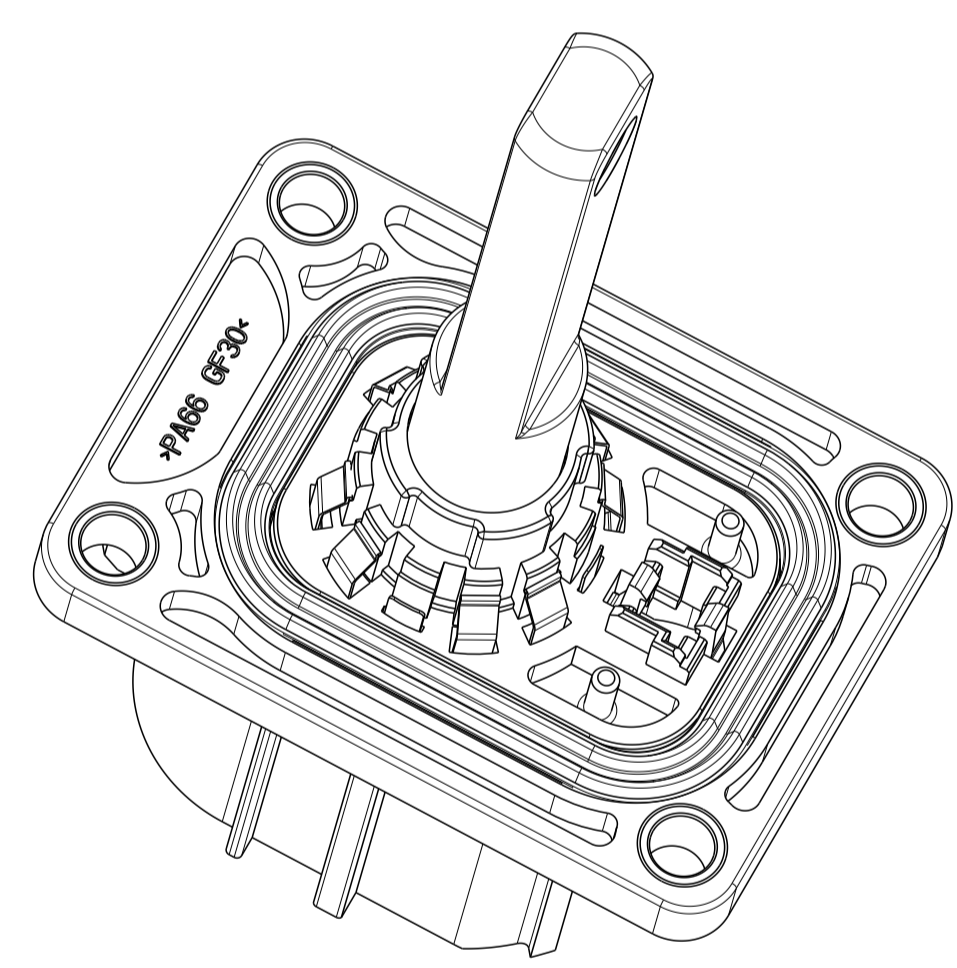
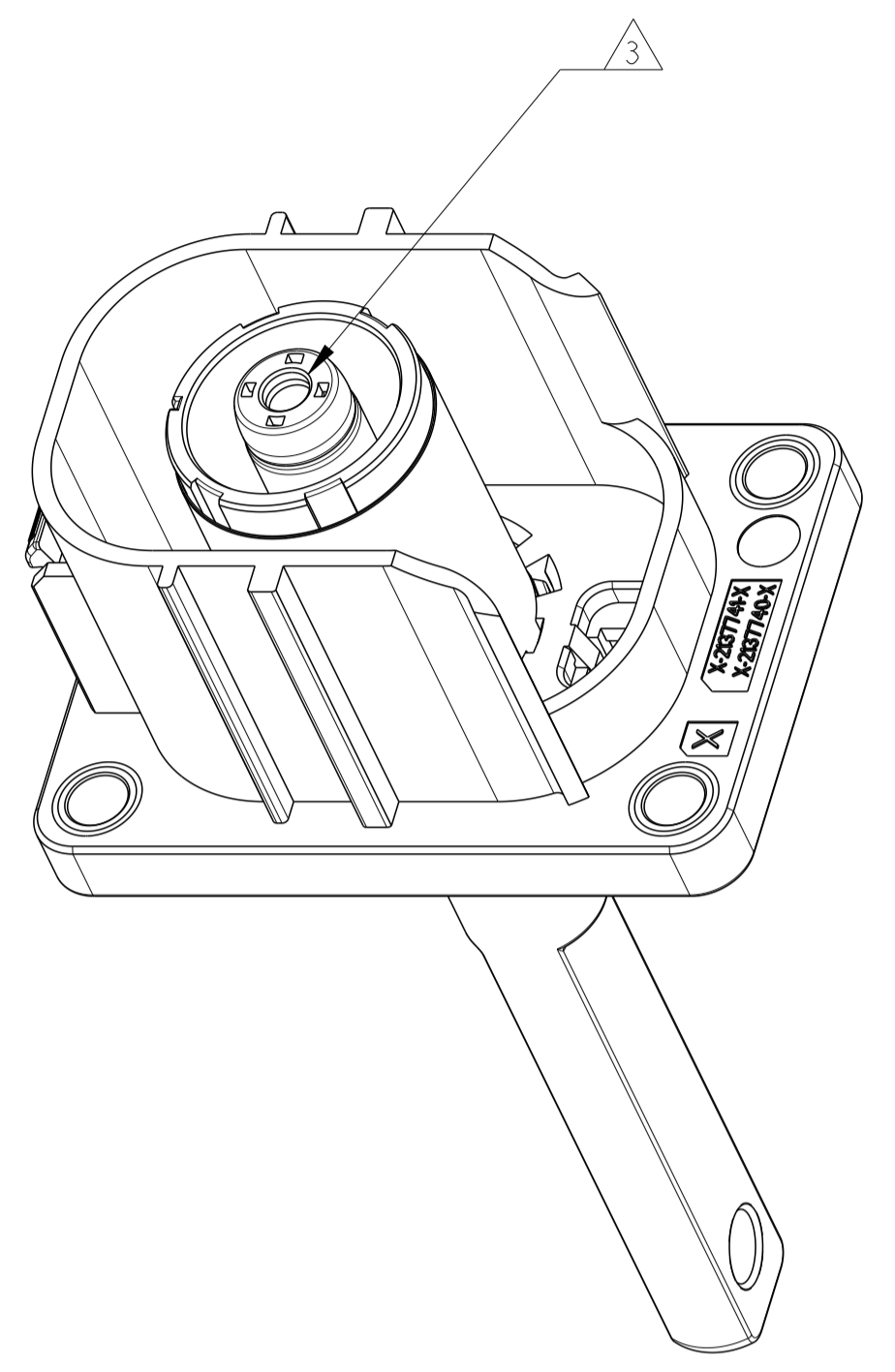
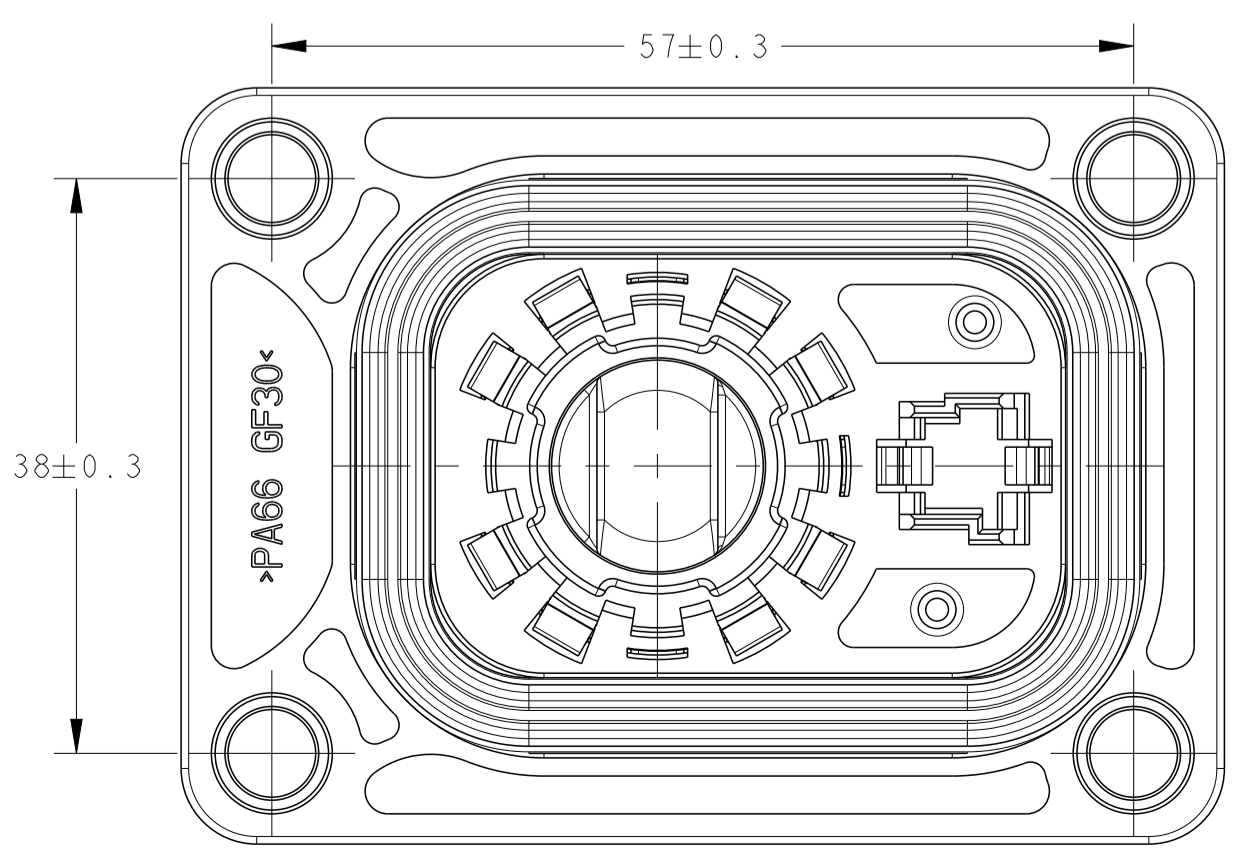
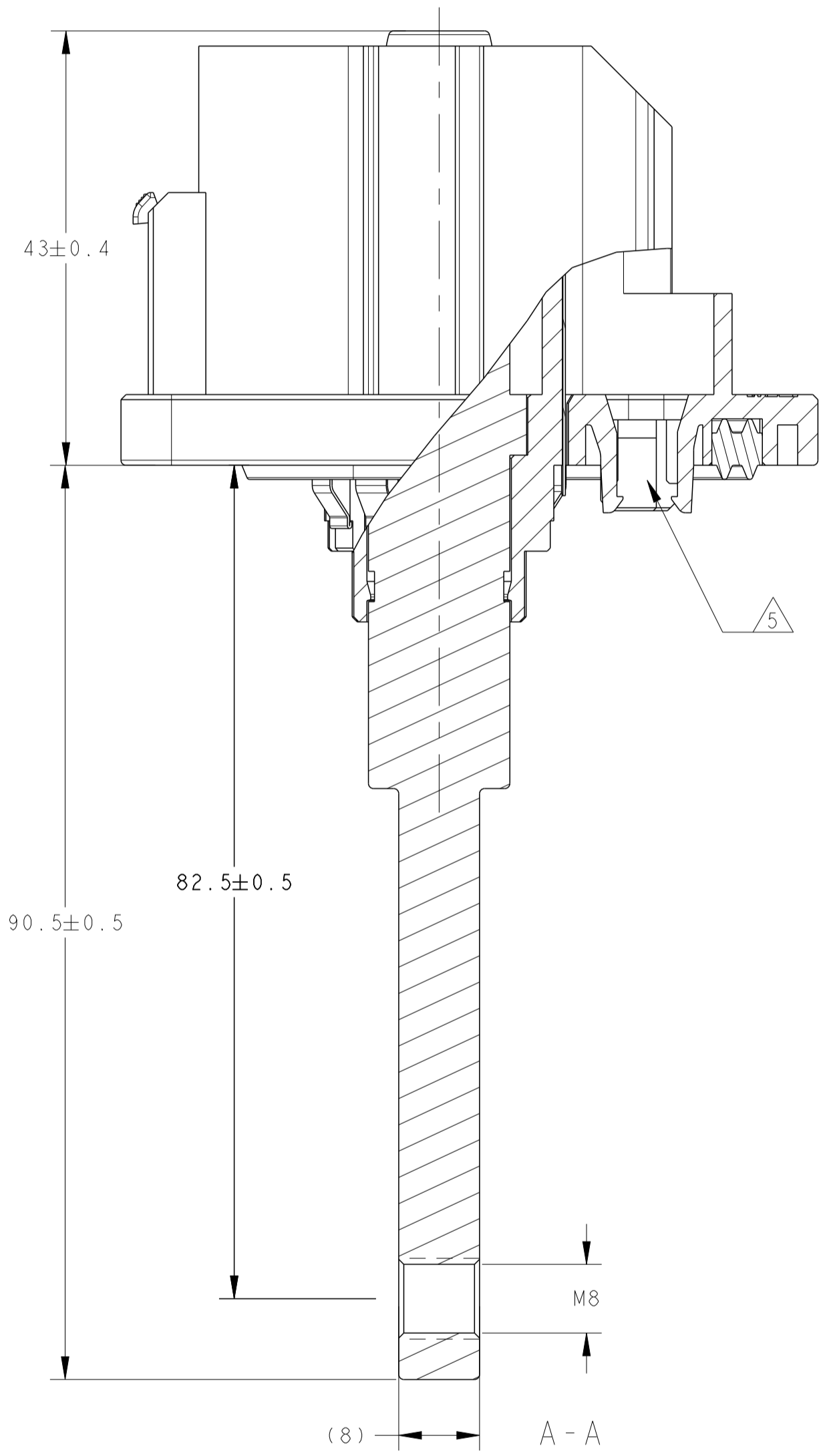
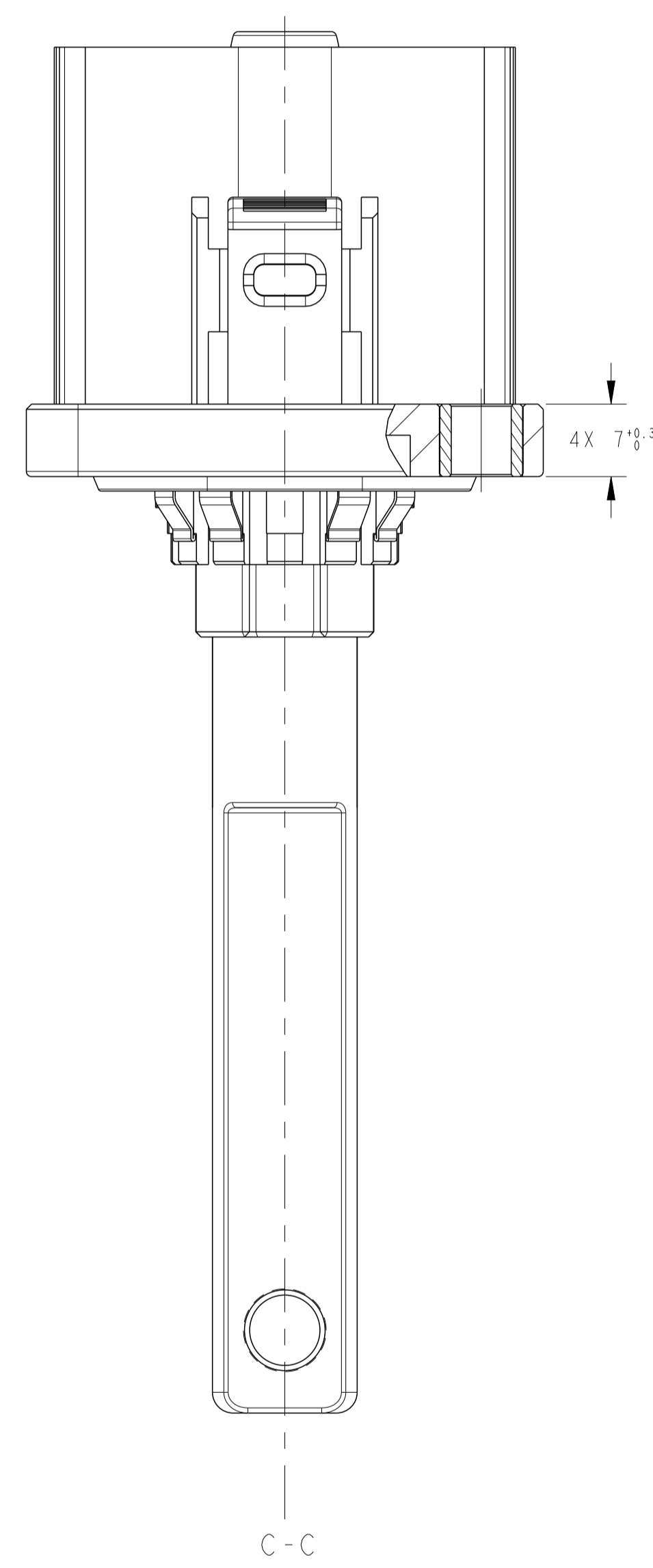
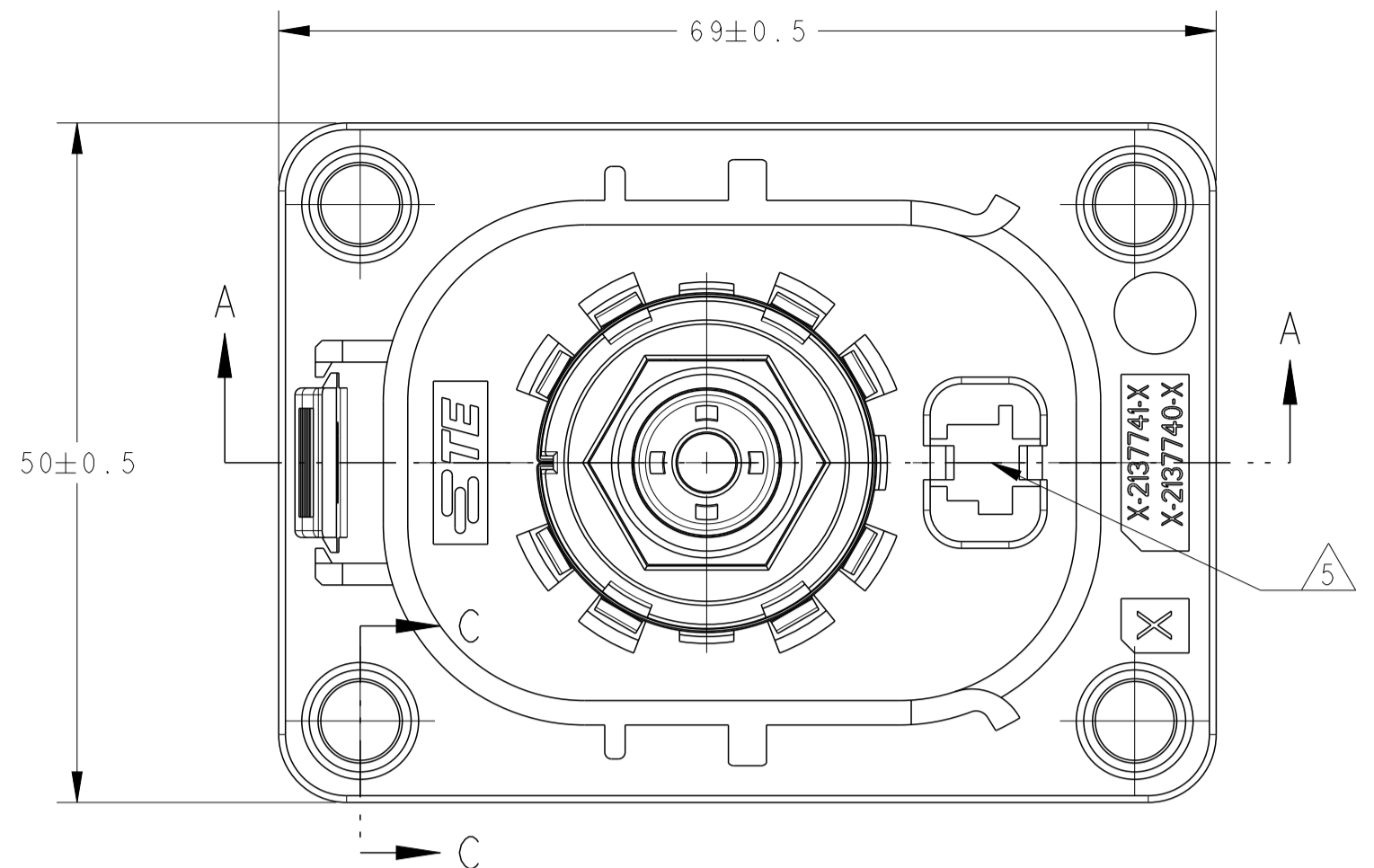
LOC	DIST	REVISIONS			
P	LTR	DESCRIPTION	DATE	DWN	APVD
-	-	SEE SHEET 1	-	-	-
-	-		-	-	-



1--1 AS SHOWN.

THIS DRAWING IS A CONTROLLED DOCUMENT.		DWN E. WANG	08NOV11	STE TE Connectivity
DIMENSIONS:		CHK N. ZHOU	08NOV11	
mm	TOLERANCES UNLESS OTHERWISE SPECIFIED:	APVD K. ODA	08NOV11	NAME HVP1100 IPOS HEADER ASSY
∅	0-PLC ±0.3	PRODUCT SPEC		SIZE
1-PLC	∅ ±0.5	APPLICATION SPEC		CAGE CODE
2-PLC	∅ ±0.25	114-101010		DRAWING NO
3-PLC	∅ ±0.15	CUSTOMER DRAWING		RESTRICTED TO
4-PLC	∅ ±0.001	SCALE 2:1		SHEET 2 OF 5
ANGLES	∅ ±0.001	REV C3		
MATERIAL	FINISH	A100779C=2137740		

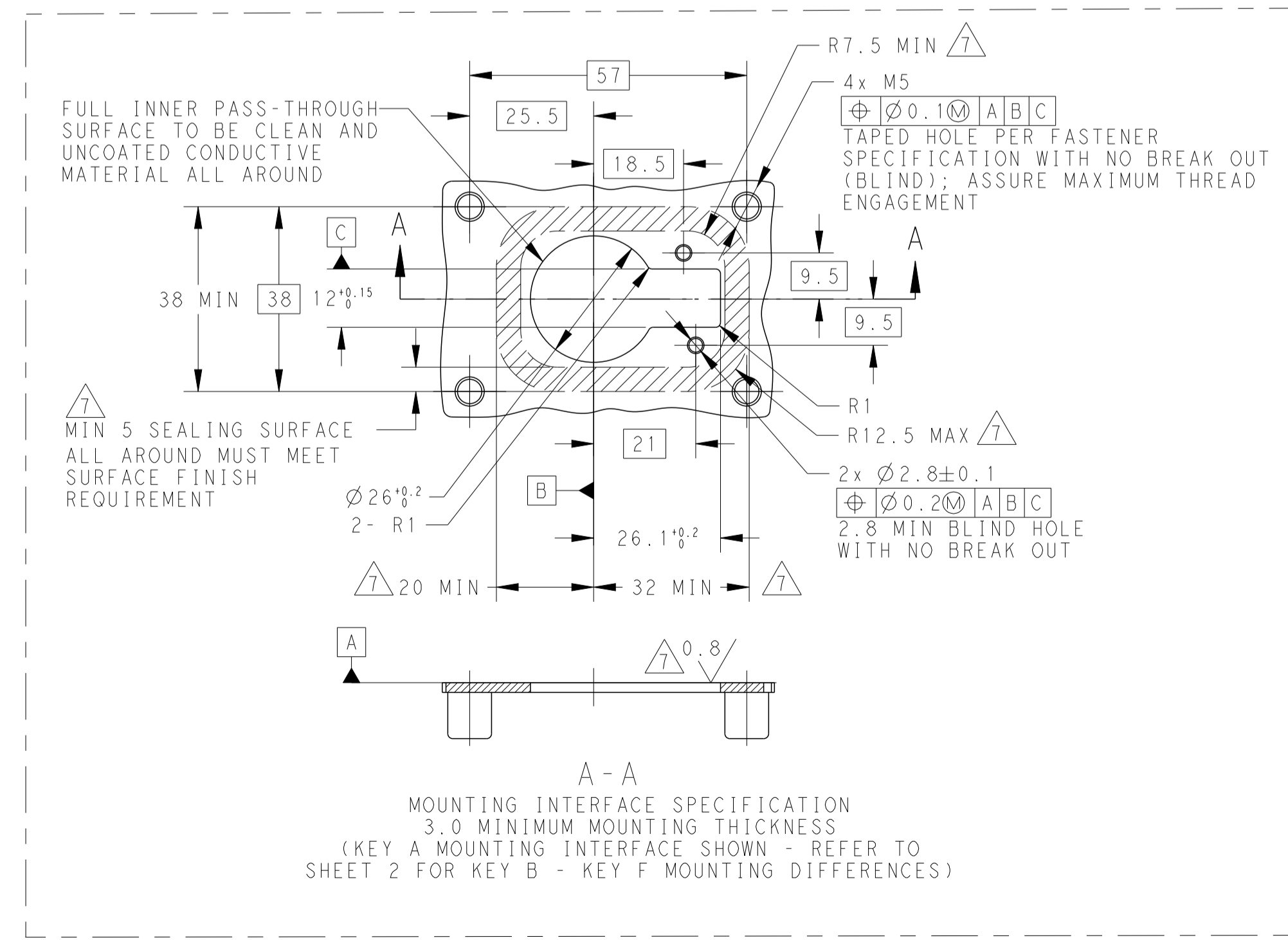
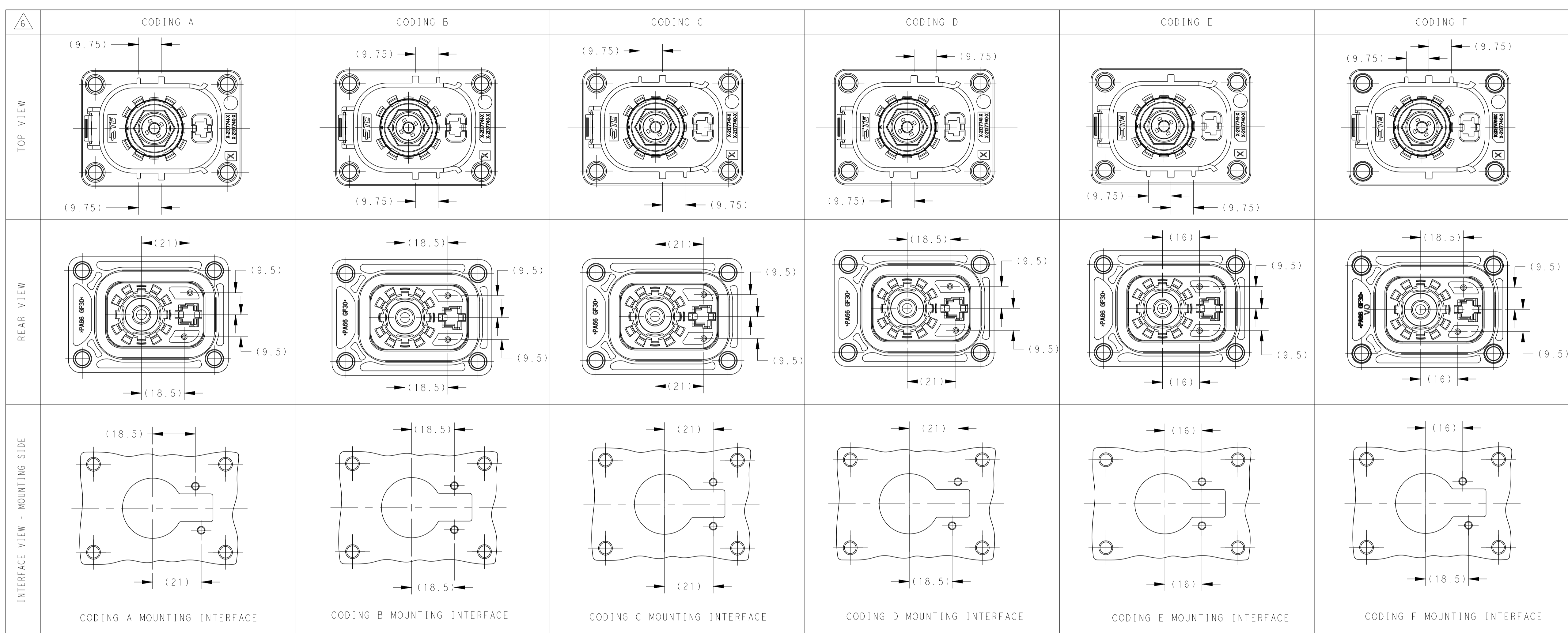
LOC		DIST		REVISIONS			
P	LTH	DESCRIPTION	DATE	DWN	APVD		
-		SEE SHEET 1	-	-	-		



2*-1 AS SHOWN.

THIS DRAWING IS A CONTROLLED DOCUMENT.		DWN E. WANG	08NOV11		TE Connectivity
DIMENSIONS:		CHK N. ZHOU	08NOV11		NAME
mm	TOLERANCES UNLESS OTHERWISE SPECIFIED:	APVD K. ODA	08NOV11	PRODUCT SPEC	
	0-PLC	±0.3		APPLICATION SPEC	
	1-PLC	±0.5		SIZE	CAGE CODE DRAWING NO
	2-PLC	±0.75		108-101010	RESTRICTED TO
	3-PLC	±0.75		114-101010	
	4-PLC	±0.0001		114-101010	
	ANGLES	±1°		SCALE	2:1
	FINISH			SHEET	3 OF 5
MATERIAL		REV		CUSTOMER DRAWING	REV C3

LOC		DIST		REVISIONS			
P	LTN	DESCRIPTION	DATE	OWN	APVD		
-		SEE SHEET 1					



THIS DRAWING IS A CONTROLLED DOCUMENT.		OWN: E. WANG	08NOV11		TE Connectivity
DIMENSIONS: mm		CHK: N. ZHOU	08NOV11		NAME: HVP1100 IPOS HEADER ASSY
TOLERANCES UNLESS OTHERWISE SPECIFIED: ±0.3		APVD: K. ODA	08NOV11	SIZE: -	CAGE CODE: -
0-PLC ±0.5		PRODUCT SPEC: 108-101010		RESTRICTED TO:	
1-PLC ±0.5		APPLICATION SPEC: 114-101010		SCALE: 2:1	SHEET 4 OF 5
2-PLC ±0.1		MATERIAL: -		REV: C3	
3-PLC ±0.1		FINISH: -			
4-PLC ±0.0001		WEIGHT: -			
ANGLES ±1°		CUSTOMER DRAWING: A100779C=2137740			

X-ON Electronics

Largest Supplier of Electrical and Electronic Components

Click to view similar products for [Automotive Connectors](#) category:

Click to view products by [TE Connectivity](#) manufacturer:

Other Similar products are found below :

[003-018-000](#) [60403001](#) [60993906-B](#) [M902-2131](#) [M902-2161](#) [M902-2344](#) [72.330.1035.1](#) [73.353.4028.0](#) [F119300-B](#) [F166900](#) [F258300-B](#)
[F358300-B](#) [F407400](#) [F444110](#) [F487000](#) [F509500B-B](#) [827153-1](#) [8N1515-32-24P](#) [9-1326729-8](#) [925474-1](#) [928905-1](#) [964562-4](#) [968782-1](#)
[GT17SA-8DS-HU](#) [98891-1012](#) [98947-1016](#) [12004147](#) [12004475-L](#) [12010290](#) [12010309-B](#) [12015454](#) [12020219-B](#) [12041318-B](#) [12052225-](#)
[L](#) [12052466](#) [12064869](#) [12004327-B](#) [12015308](#) [12015384](#) [12015909](#) [1-21030-1](#) [12041254](#) [12041318](#) [12047946-B](#) [12047957](#) [12047957-L](#)
[12059473](#) [12066261](#) [12110546](#) [12110546-B](#)