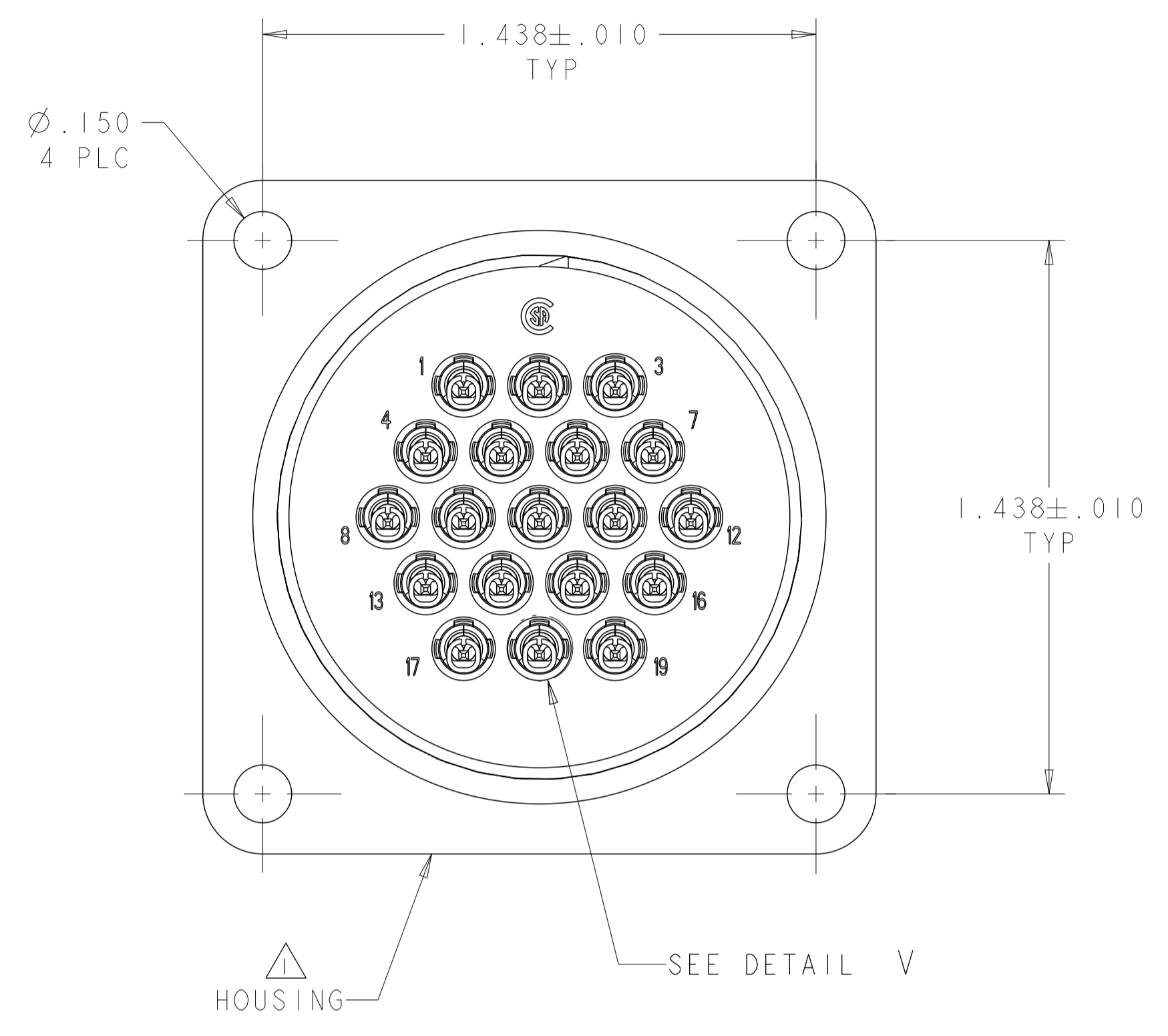
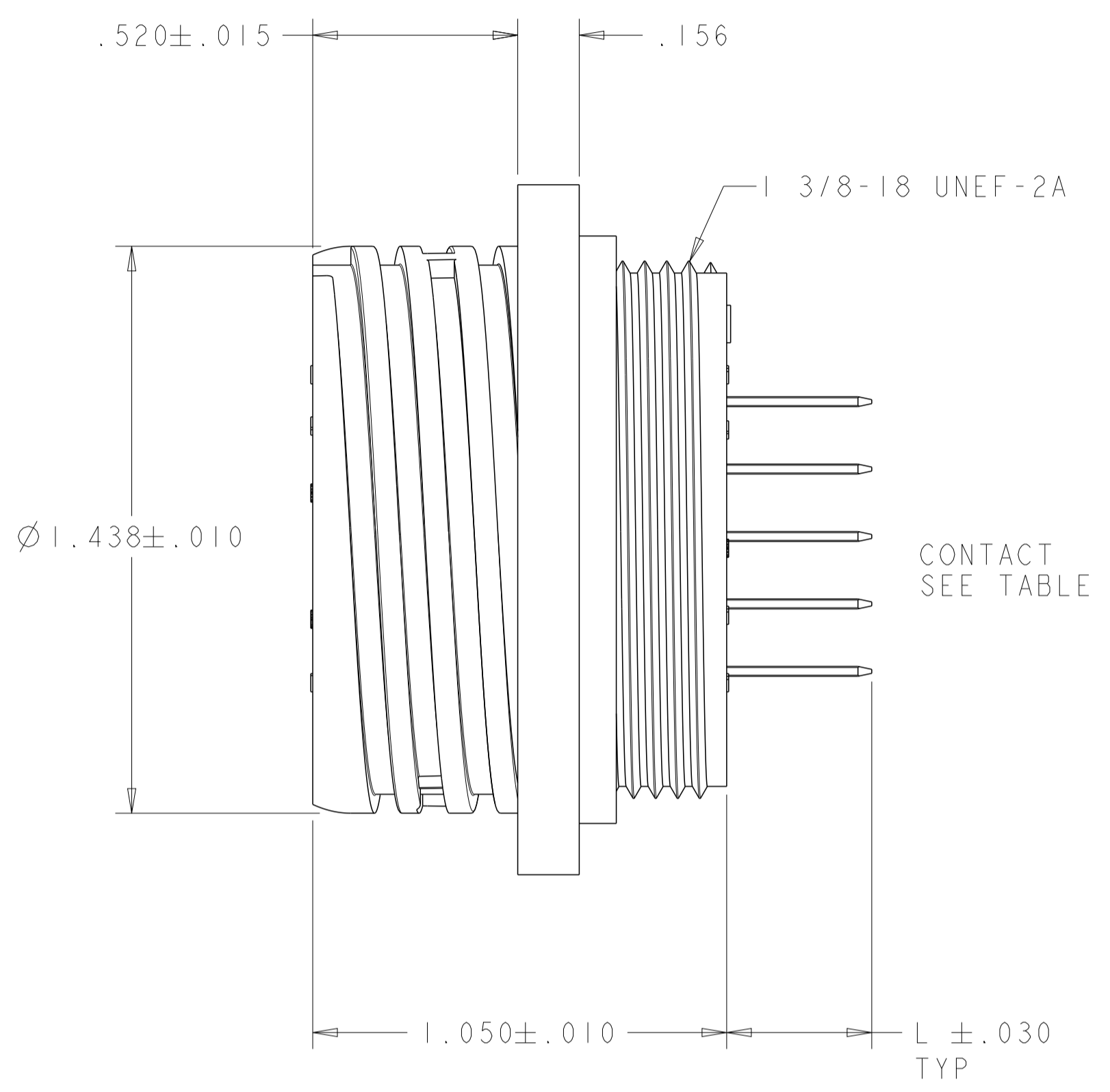
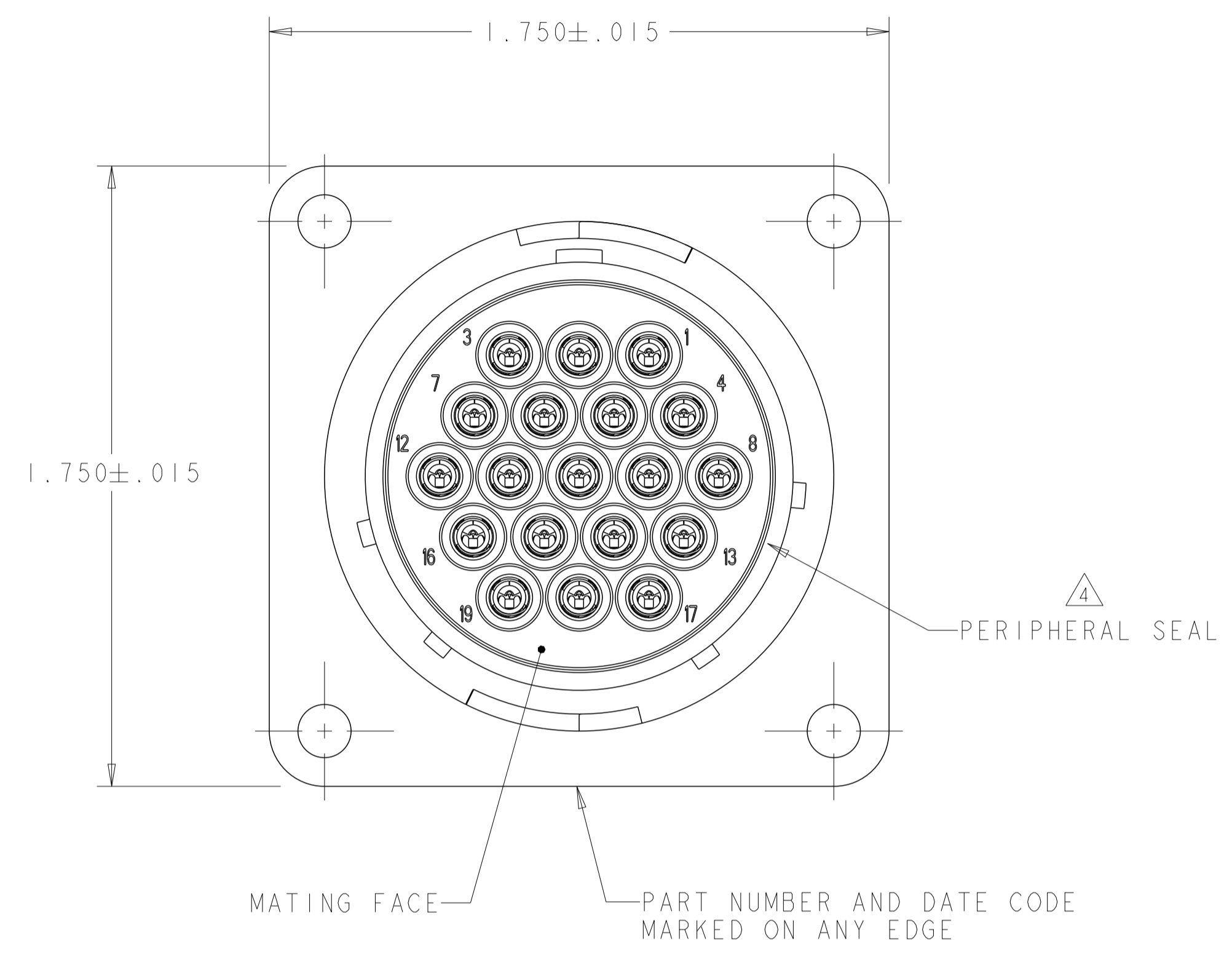


REVISIONS				
P	LTN	DESCRIPTION	DATE	APVD
M2		REVISED PER ECO-16-004800	10SEP2016	NK MZ
N		REVISED PER ECO-16-018356	23MAR2017	RS MZ
P		REVISED PER ECO-19-011232	08AUG2019	RS MZ



- ① HOUSING: NYLON, UL 94 V-0 RATED, COLOR: BLACK.
- ② CONTACT:
BODY - BRASS, .000030 MIN GOLD FOR A LENGTH OF .200 MIN FROM MATING END, GOLD FLASH ON REMAINDER, BOTH OVER .000050 MIN NICKEL.
POST - BRASS, .000100 MIN TIN-LEAD OVER .000050 MIN NICKEL.
- ③ CONTACT:
BODY - BRASS, .000100 MIN TIN-LEAD OVER .000050 MIN NICKEL.
POST - BRASS, .000100 MIN TIN-LEAD OVER .000050 MIN NICKEL.
- ④ PERIPHERAL SEAL: ELASTOMER, COLOR: BLACK.
- ⑤ .009 MAXIMUM CONTACT LEAD-IN SEAM GAP PERMISSIBLE ON MATING FACE END.
- ⑥ CONTACT:
BODY - BRASS, .000030 MIN GOLD OVER .000030 MIN NICKEL.
POST - BRASS, .000100 MIN TIN-LEAD OVER .000050 MIN NICKEL.
- ⑦ CONTACT:
BODY - BRASS, .000100 MIN TIN OVER .000050 MIN NICKEL.
POST - BRASS, .000100 MIN TIN OVER .000050 MIN NICKEL.
- ⑧ CONTACT:
BODY - BRASS, .000030 MIN GOLD FOR A LENGTH OF .200 MIN FROM MATING END, GOLD FLASH ON REMAINDER, BOTH OVER .000050 MIN NICKEL.
POST - BRASS, .000100 MIN TIN OVER .000050 MIN NICKEL.
- ⑨ OBSOLETE PARTS: OBSOLETE CIS STREAMLINING PER D.RENAUD/D.SINISI

STATUS	PLC	LENGTH	CONTACT	POSITIONS	PART NUMBER
OBSOLETE	YES	.368	⑧	1-4, 7, 8, 10-12, 14-19	1-213781-0
OBSOLETE	NO	.557	⑧	ALL	-213781-9
OBSOLETE	NO	.348	⑦	ALL	-213781-8
⑨ OBSOLETE	YES	.368	⑦	1-4, 7, 8, 10-12, 16-19	-213781-7
	YES	.368	⑥	1-4, 7, 8, 10-12, 16-19	-213781-6
OBSOLETE	YES	.368	③	1-4, 7, 8, 10-12, 16-19	-213781-5
OBSOLETE	YES	.368	③	1-4, 7, 8, 10-12, 16-19	-213781-4
	YES	.368	③	1-4, 7, 8, 10-12, 16-19	213781-2
OBSOLETE	NO	.557	②	ALL	-213781-1
	PERIPHERAL SEAL	L	CONTACT FINISH	SELECT LOADED IN POSITIONS	PART NUMBER

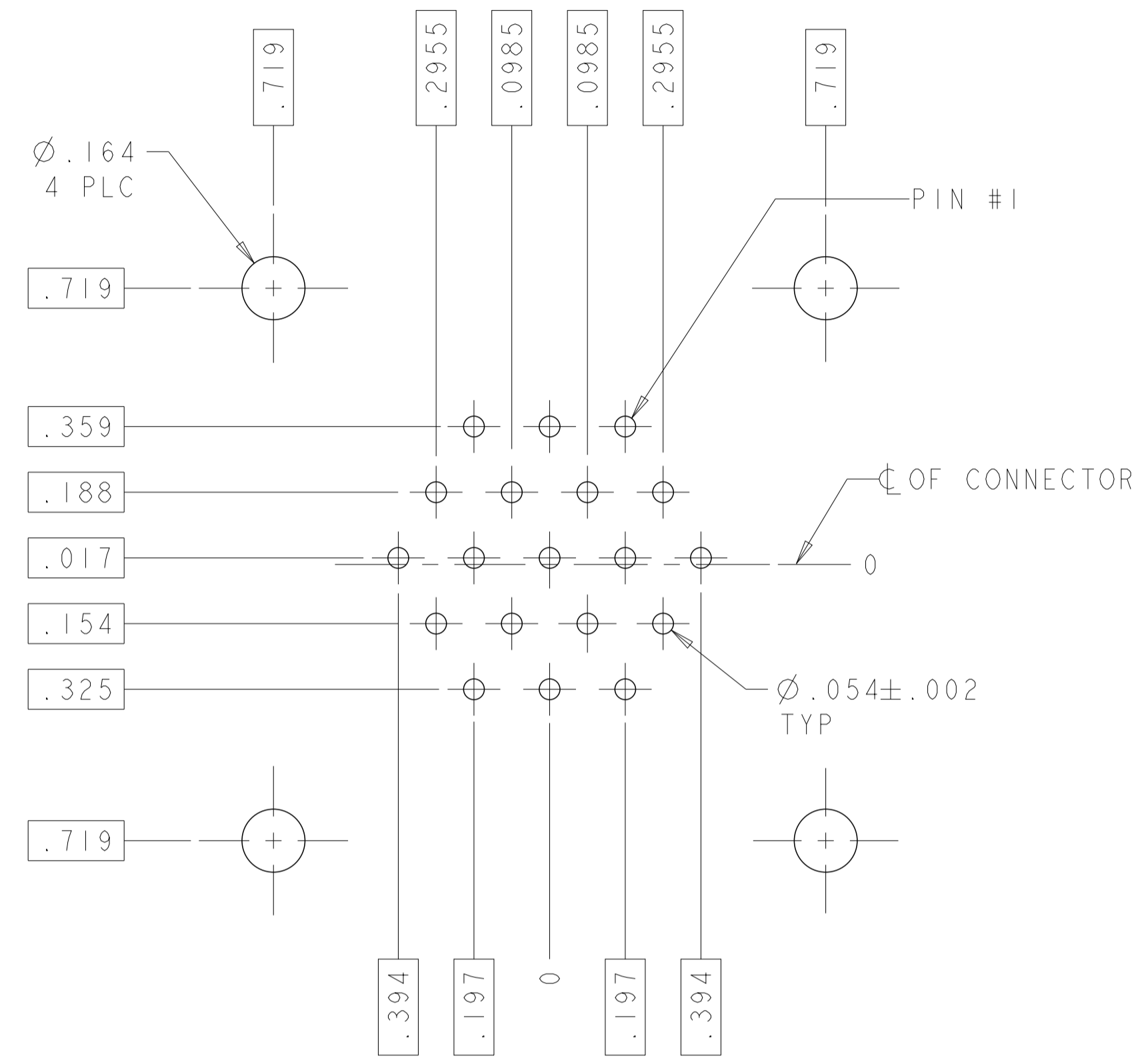
THIS DRAWING IS A CONTROLLED DOCUMENT.

TE Connectivity

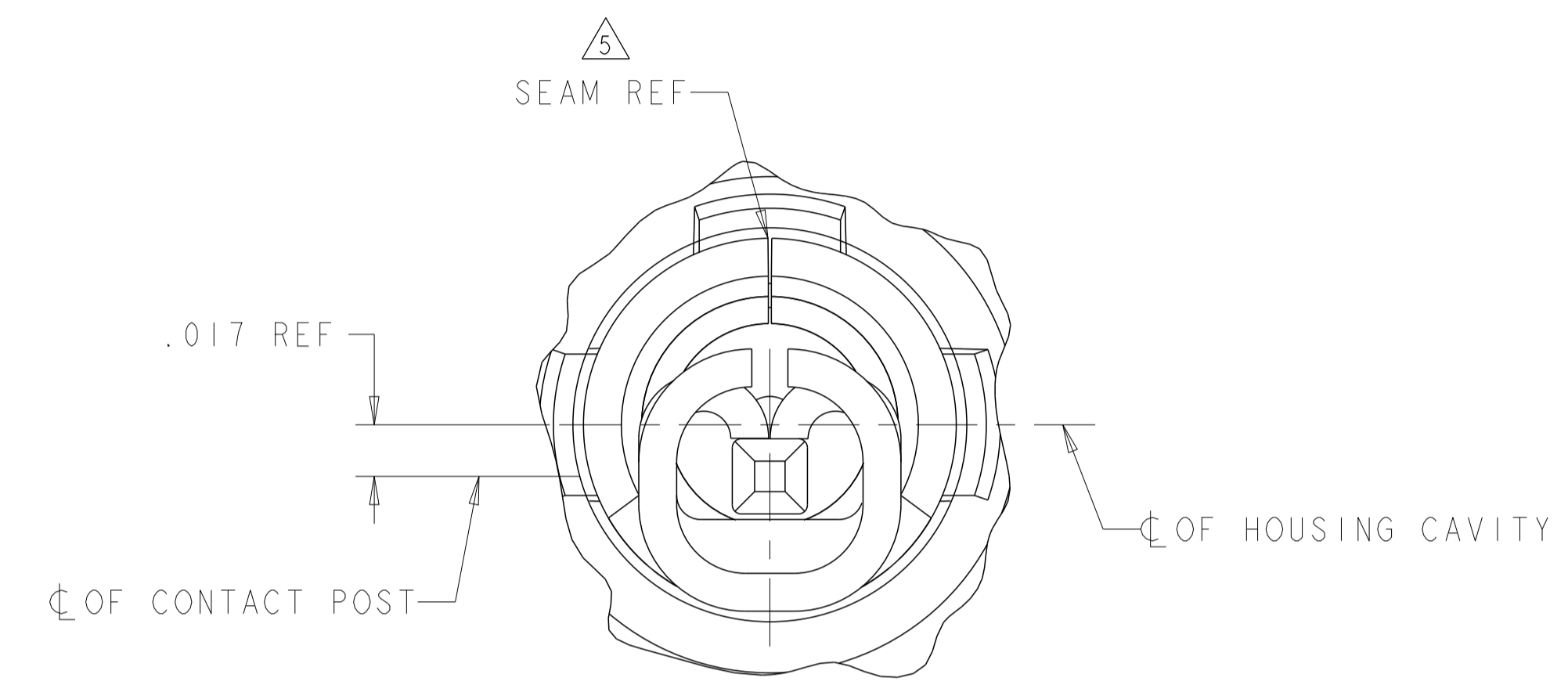
RECEPTACLE ASSEMBLY, POSTED, REVERSE SEX, SERIES 1, 23-19, CPC

SCALE 3:1 SHEET 1 OF 2 REV P

REVISIONS				
P	LTN	DESCRIPTION	DATE	APVD
-		SEE SHEET 1	-	-



RECOMMENDED PC BOARD LAYOUT



DETAIL V
SCALE 20:1

THIS DRAWING IS A CONTROLLED DOCUMENT.		DWN S. WELDON ZIMAY2003																	
DIMENSIONS: INCHES		CHK S. HEADER ZIMAY2003																	
<table border="1"> <tr> <th>TOLERANCES UNLESS OTHERWISE SPECIFIED:</th> <th></th> </tr> <tr> <td>0 PLC</td> <td>±.000</td> </tr> <tr> <td>1 PLC</td> <td>±0.0</td> </tr> <tr> <td>2 PLC</td> <td>±0.00</td> </tr> <tr> <td>3 PLC</td> <td>±0.000</td> </tr> <tr> <td>4 PLC</td> <td>±0.0000</td> </tr> <tr> <td>ANGLES</td> <td>±.0000</td> </tr> <tr> <td>FINISH</td> <td>±.0000</td> </tr> </table>		TOLERANCES UNLESS OTHERWISE SPECIFIED:		0 PLC	±.000	1 PLC	±0.0	2 PLC	±0.00	3 PLC	±0.000	4 PLC	±0.0000	ANGLES	±.0000	FINISH	±.0000	APVD S. HEADER ZIMAY2003	NAME RECEPTACLE ASSEMBLY, POSTED, REVERSE SEX, SERIES 1, 23-19, CPC
TOLERANCES UNLESS OTHERWISE SPECIFIED:																			
0 PLC	±.000																		
1 PLC	±0.0																		
2 PLC	±0.00																		
3 PLC	±0.000																		
4 PLC	±0.0000																		
ANGLES	±.0000																		
FINISH	±.0000																		
MATERIAL		PRODUCT SPEC 108-10024	RESTRICTED TO																
		APPLICATION SPEC 114-10038	SIZE CAGE CODE DRAWING NO																
		WEIGHT	A 100779 C=213781																
		CUSTOMER DRAWING	SCALE 3:1 SHEET 2 OF 2 REV P																

X-ON Electronics

Largest Supplier of Electrical and Electronic Components

Click to view similar products for [Standard Circular Connector](#) category:

Click to view products by [TE Connectivity](#) manufacturer:

Other Similar products are found below :

[5M2530B10P](#) [600259N006](#) [600273N007](#) [6134-336-13149](#) [6134-337-11149](#) [6134-337-2390](#) [6134-341-17149](#) [6280-4SG-516](#) [6280-7SG-3DC](#)
[6290](#) [6291A](#) [66200A-10](#) [680-SMG](#) [681-PMG](#) [CXS3102A14S2P](#) [CXS3102A181S](#) [7251-5SG-300](#) [7271-6SG-300](#) [7282-3PG-300-CH3](#) [75-](#)
[474618-01S](#) [75-474618-04P](#) [75-474618-04S](#) [799539-000](#) [MI8-SE](#) [805-005-07NF11-19PC](#) [805-005-07NF15-7PA](#) [8280-4PG-516](#) [8280-7PG-](#)
[519](#) [8282-5PG-519](#) [836783-1](#) [MP-4102-25P-C](#) [862256-1](#) [864019-2](#) [866857-1](#) [867865-1](#) [PT01SP-14-18P](#) [PT08P-14-5S](#) [PTSF06SE-14-12S](#)
[120-1833-000](#) [QCM019PC2DC012B](#) [1-2069279-1](#) [121583-0217](#) [121667-0020](#) [129591AU](#) [1000B BULK](#) [RD10A16-19-P6CS051/1](#)
[RD10A20-31-P8CS051/1](#) [RD16A14-12-S6CS051/2](#) [1301240290](#) [1301240347](#) [1301860202](#)