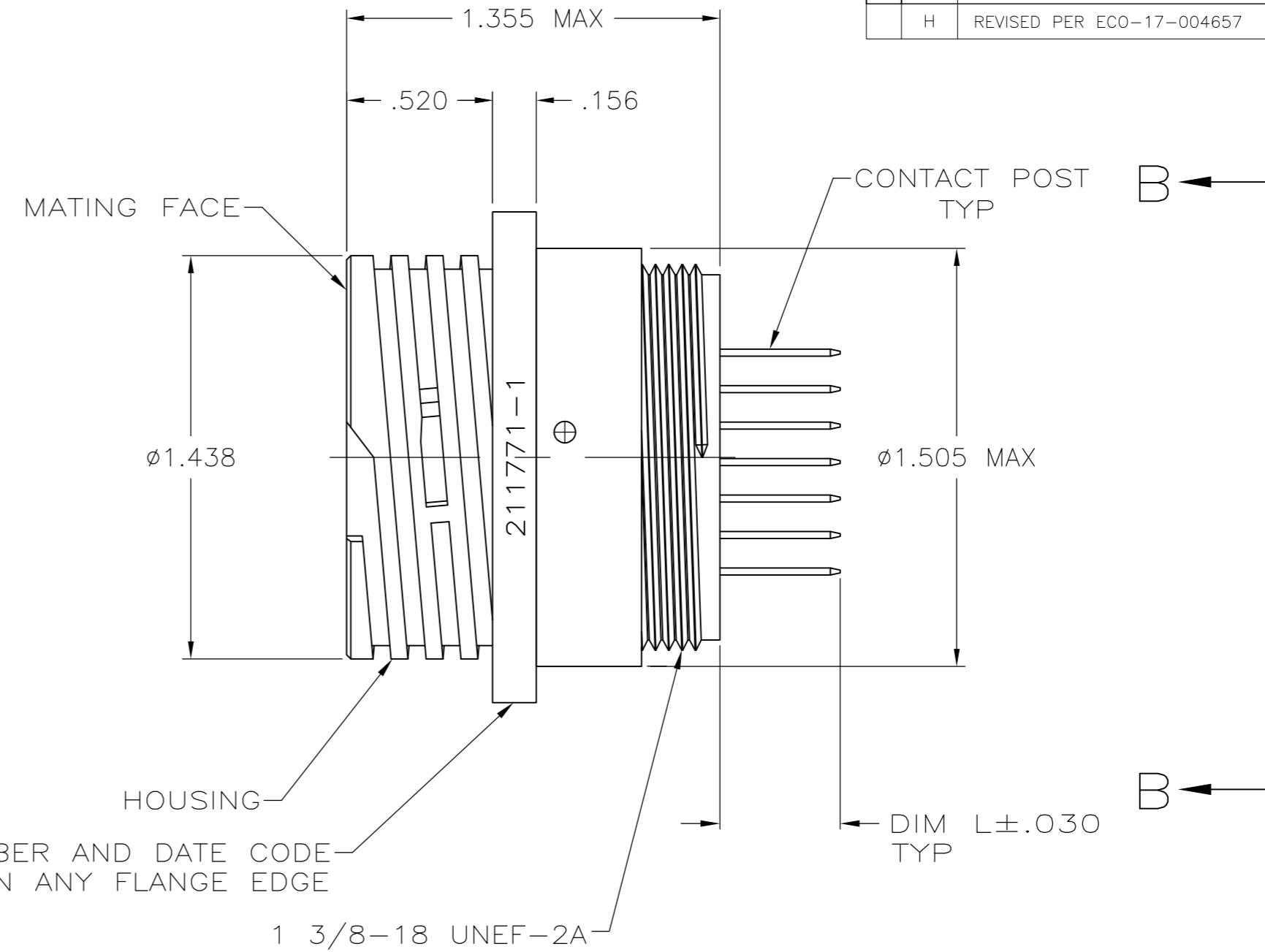
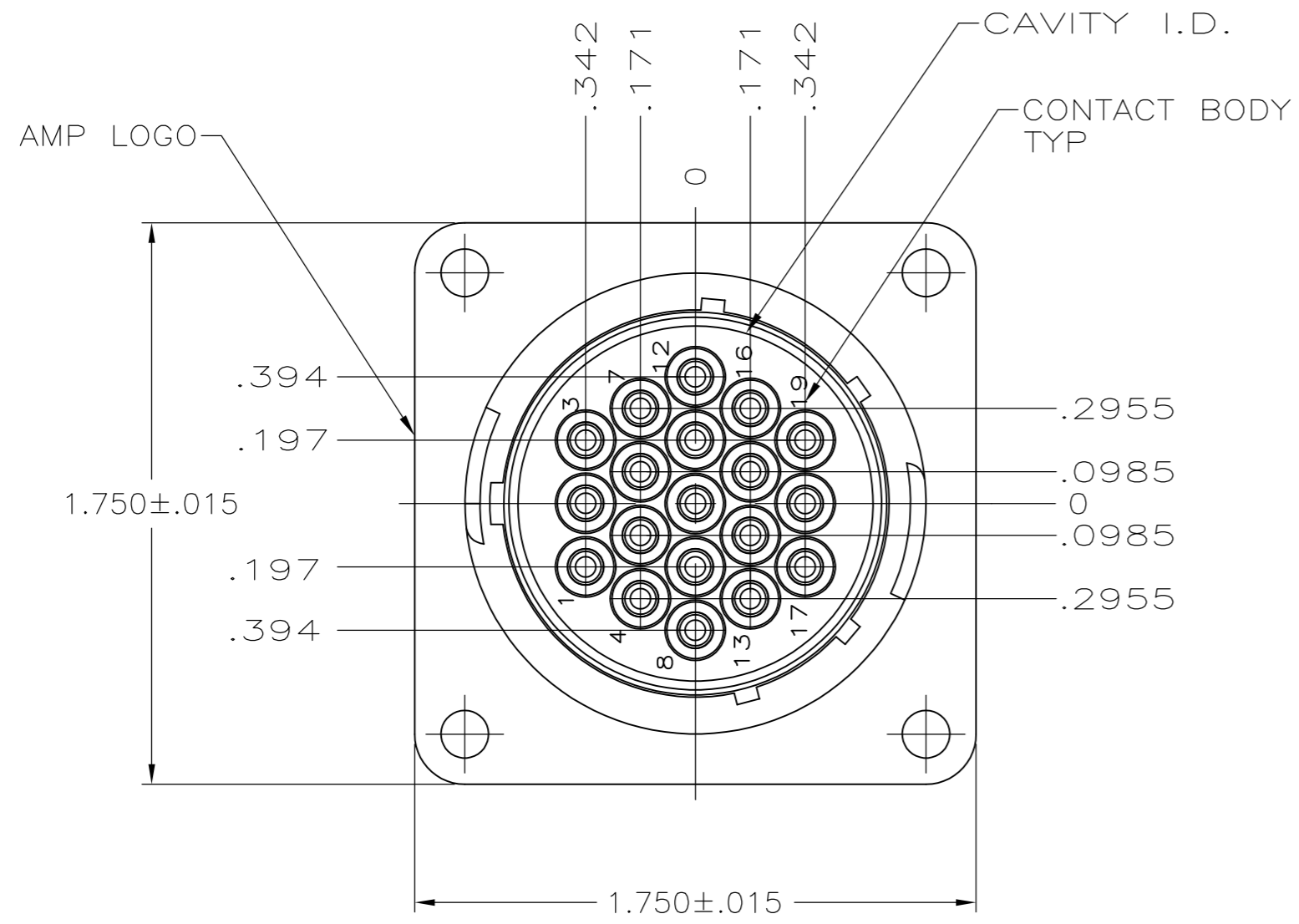
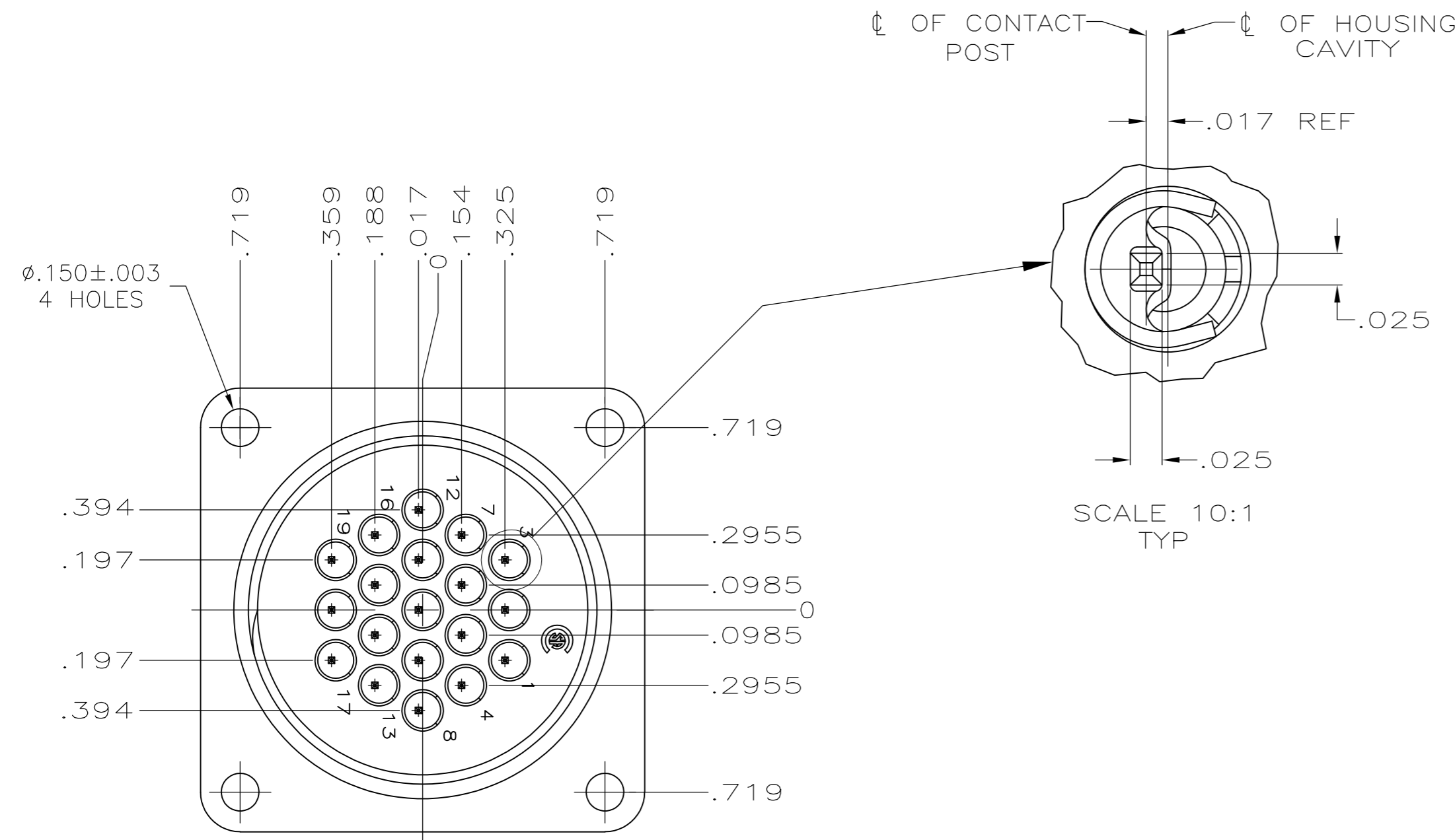


THIS DRAWING IS UNPUBLISHED. RELEASED FOR PUBLICATION
 © COPYRIGHT - By - ALL RIGHTS RESERVED.

REVISIONS					
P	LTR	DESCRIPTION	DATE	DWN	APVD
G		REVISED PER ECO-12-015665	26SEP12	KH	MZ
H		REVISED PER ECO-17-004657	05APR2017	RS	MZ



PART NUMBER AND DATE CODE MARKED ON ANY FLANGE EDGE



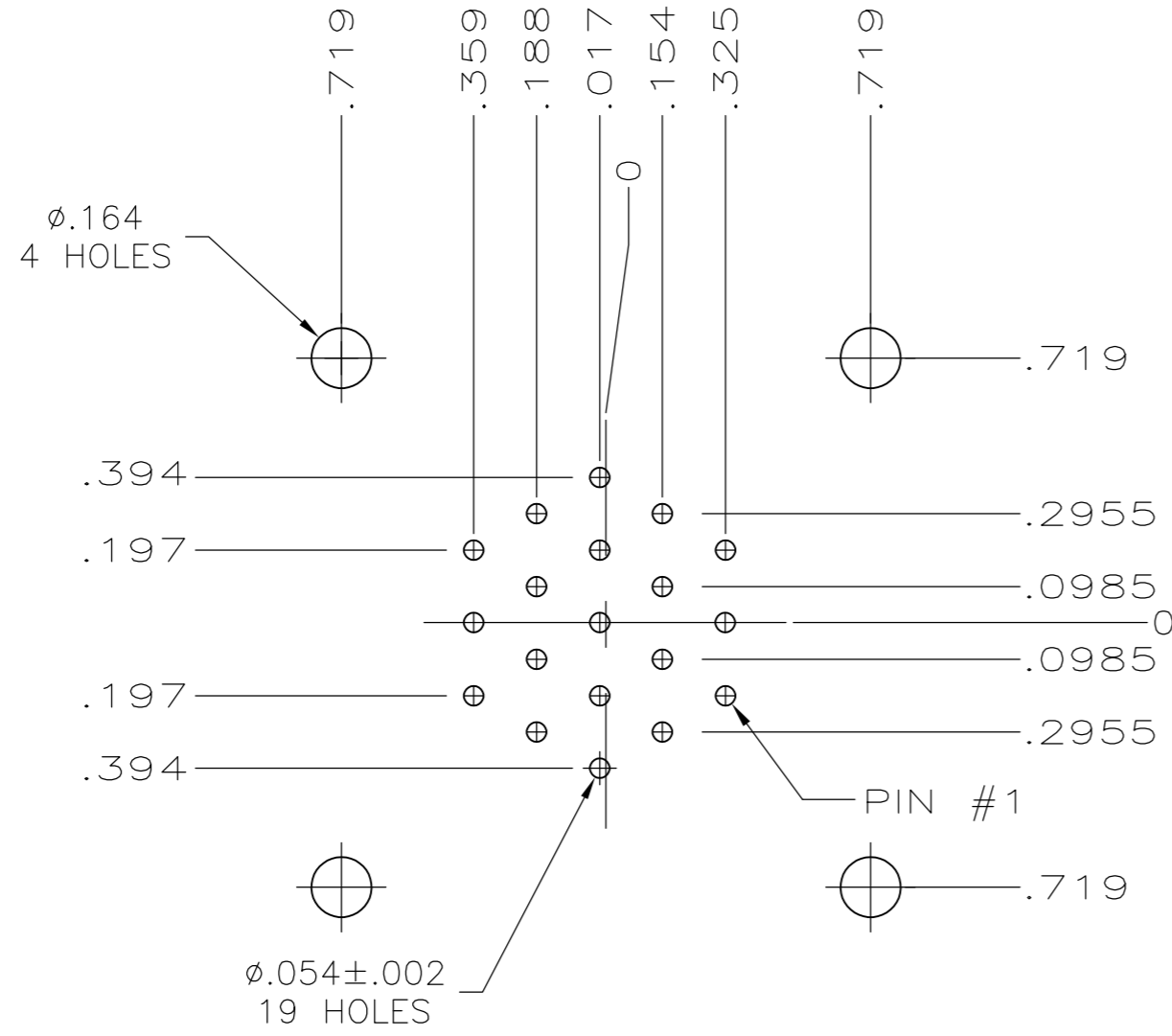
VIEW B-B

OBSOLETE	6	.240	1-213782-0
	5	.244	213782-7
	6	.429	213782-4
OBSOLETE	5	.119	213782-3
9	5	.244	213782-2
	5	.429	213782-1
		POST FINISH	PART NUMBER
		DIM L	

THIS DRAWING IS A CONTROLLED DOCUMENT.		DWN W.LENKER 08/20/93	STE TE Connectivity	
DIMENSIONS: INCHES		CHK R.STONE 08/24/93		
TOLERANCES UNLESS OTHERWISE SPECIFIED:		APVD -	NAME	
0 PLC ± -		PRODUCT SPEC -	RECEPTACLE ASSEMBLY, POSTED, STD SEX, SERIES 1, 23-19, CPC	
1 PLC ± -		APPLICATION SPEC -	SIZE A2	CAGE CODE 00779
2 PLC ± -		WEIGHT -	DRAWING NO C=213782	RESTRICTED TO -
3 PLC ± .005		CUSTOMER DRAWING	SCALE 2:1	SHEET 1 of 2
4 PLC ± .0050				REV H
ANGLES ± -				
FINISH -				

THIS DRAWING IS UNPUBLISHED. RELEASED FOR PUBLICATION
 © COPYRIGHT - By - ALL RIGHTS RESERVED.

REVISIONS				
P	LTR	DESCRIPTION	DATE	APVD
-	-	SEE SHEET 1	-	-



RECOMMENDED P.C. BOARD LAYOUT

- 1 NYLON, UL 94V-0 RATED, BLACK.
- 2 STAINLESS STEEL.
- 3 BRASS.
- 4 CONTACT BODY: .000030 MIN GOLD FOR A LENGTH .200 MIN FROM MATING END. GOLD FLASH ON REMAINDER, BOTH OVER .000050 MIN NICKEL.
- 5 CONTACT POST: .000100 MIN TIN-LEAD OVER .000050 MIN NICKEL.
- 6 CONTACT POST: .000100 MIN TIN OVER .000050 MIN NICKEL.
- 7 RECOMMENDED PC BOARD HOLE SIZE FOR CONTACT POST = $.035 \pm .003$ DIA.
- 8 SELECT LOAD: NO CONTACTS IN POSITIONS 5 AND 6.
- 9 OBSOLETE PARTS: OBSOLETE CIS STREAMLINING PER D.RENAUD/D.SINISI

THIS DRAWING IS A CONTROLLED DOCUMENT.		DWN W.LENKER 08/20/93																				
DIMENSIONS: INCHES		CHK R.STONE 08/24/93																				
TOLERANCES UNLESS OTHERWISE SPECIFIED:		APVD -	NAME																			
<table border="0"> <tr><td>0 PLC</td><td>±</td><td>-</td></tr> <tr><td>1 PLC</td><td>±</td><td>-</td></tr> <tr><td>2 PLC</td><td>±</td><td>-</td></tr> <tr><td>3 PLC</td><td>±</td><td>.005</td></tr> <tr><td>4 PLC</td><td>±</td><td>.0050</td></tr> <tr><td>ANGLES</td><td></td><td>± -</td></tr> </table>		0 PLC	±	-	1 PLC	±	-	2 PLC	±	-	3 PLC	±	.005	4 PLC	±	.0050	ANGLES		± -	PRODUCT SPEC -	RECEPTACLE ASSEMBLY, POSTED, STD SEX, SERIES 1, 23-19, CPC	
0 PLC	±	-																				
1 PLC	±	-																				
2 PLC	±	-																				
3 PLC	±	.005																				
4 PLC	±	.0050																				
ANGLES		± -																				
MATERIAL: HOUSING: 1 CONTACT SPRING: 2 CONTACT BODY & POST: 3		FINISH -	APPLICATION SPEC -	WEIGHT -																		
		SCALE 2:1	SIZE A2	CAGE CODE 00779																		
		CUSTOMER DRAWING	DRAWING NO C-213782	RESTRICTED TO -																		
		SHEET 2 of 2	REV H																			

X-ON Electronics

Largest Supplier of Electrical and Electronic Components

Click to view similar products for [Standard Circular Connector](#) category:

Click to view products by [TE Connectivity](#) manufacturer:

Other Similar products are found below :

[C015](#) [10F006](#) [001](#) [1](#) [5M2530B10P](#) [600247N007](#) [600259N006](#) [600273N007](#) [600432N009](#) [6280-2PG-519](#) [6280-3PG-311](#) [6280-3SG-311](#)
[6280-7SG-3DC](#) [6280-7SG-522](#) [6282-5PG-311](#) [6282-6PG-519](#) [6282-8SG-311](#) [6283-11](#) [6283-15](#) [6290](#) [6293](#) [6382-2PG-311](#) [6382-2PG-3DC](#)
[6382-2SG-321](#) [6382-2SG-3DC](#) [6382-4SG-516](#) [67-03E20-37P](#) [681-PMG](#) [CXS3102A14S2P](#) [CXS3102A181S](#) [CXS3106A14S6S](#) [MB12P-1](#)
[MB12R-6](#) [7251-2PG-300](#) [7251-2SG-300](#) [7251-4PG-300](#) [7251-4SG-300](#) [7251-5PG-300](#) [7251-5SG-300](#) [7251-6SG-300](#) [7251-7PG-300](#) [7251-](#)
[8PG-300](#) [7271-6SG-300](#) [7282-3PG-300-CH3](#) [73000005663](#) [75-190011-03P](#) [75-190216-08S](#) [75-190218-10P](#) [75-214636-52P](#) [75-474118-10P](#)
[75-474211-03P](#) [75-474218-19S](#) [75-474618-01S](#)