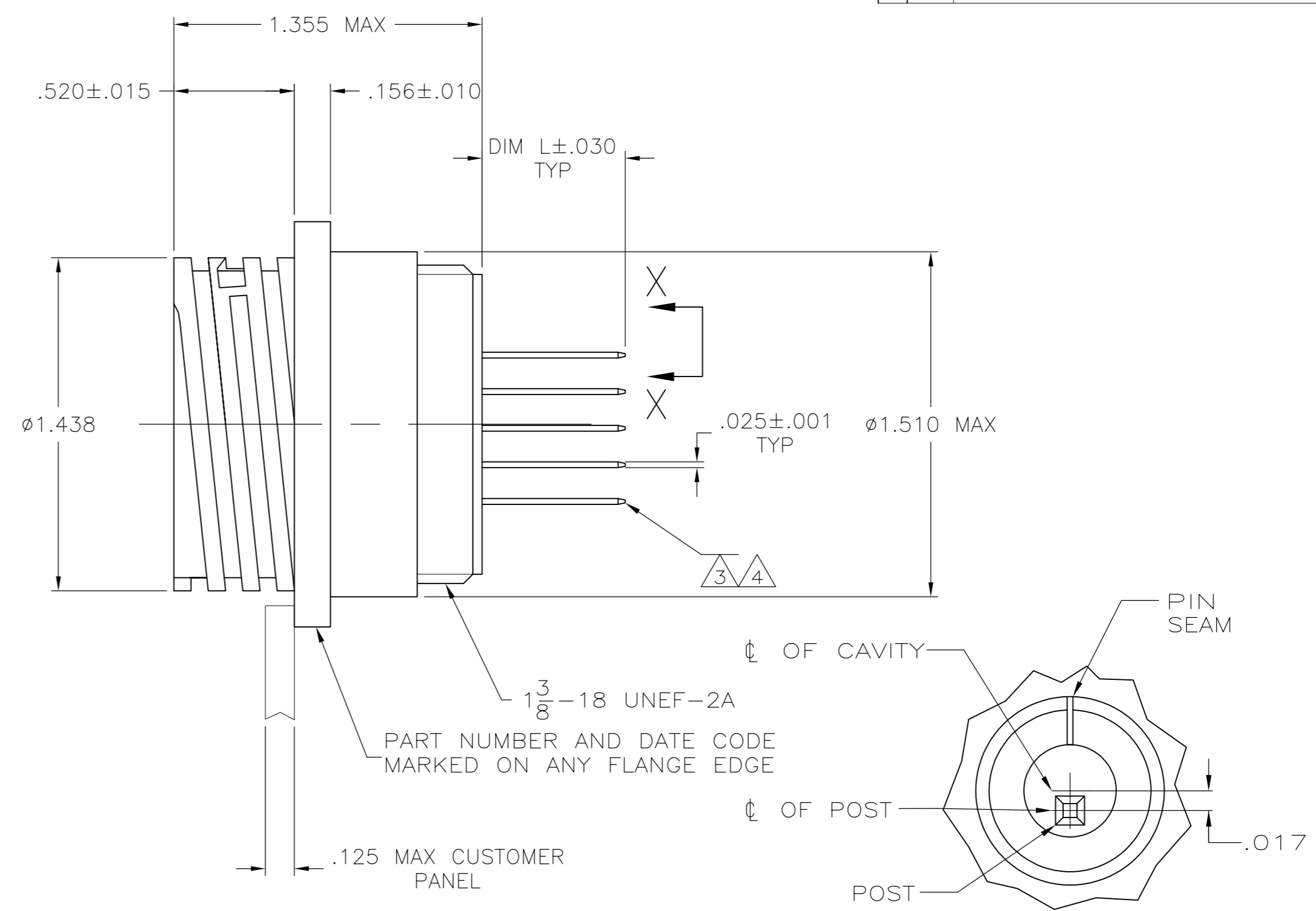
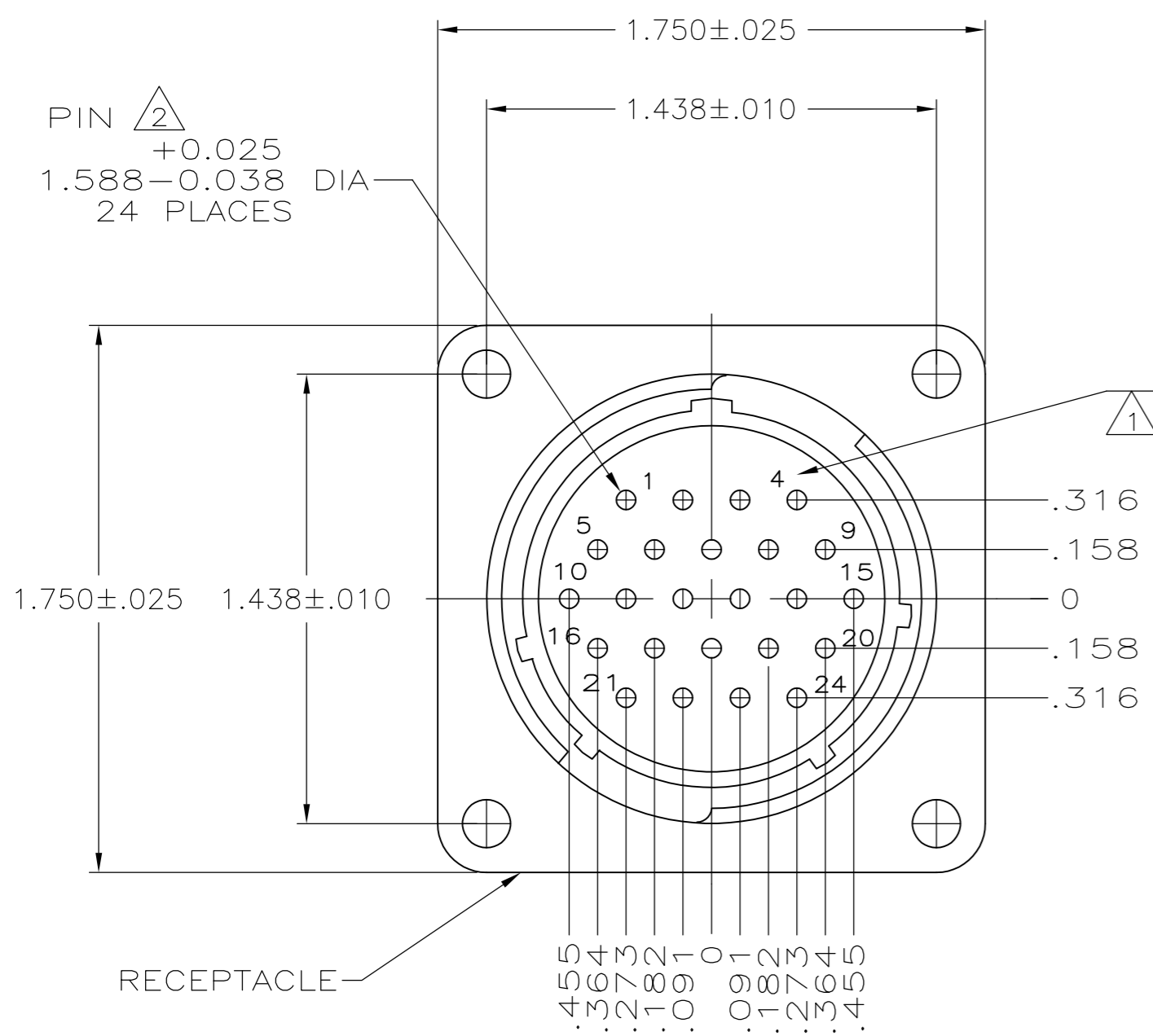


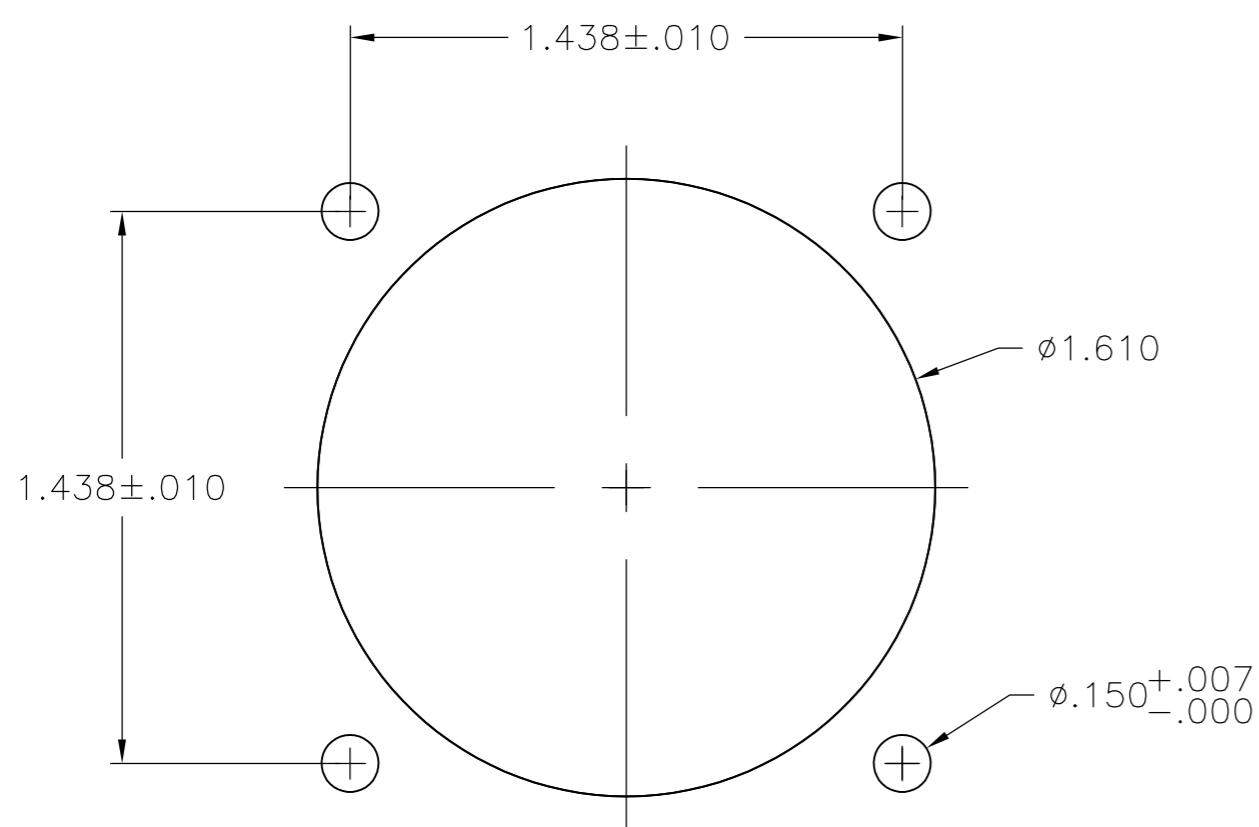
THIS DRAWING IS UNPUBLISHED. RELEASED FOR PUBLICATION
 © COPYRIGHT - By - ALL RIGHTS RESERVED.

REVISIONS		29NOV01	RH		
P	LTR	DESCRIPTION	DATE	DWN	APVD
D1		REVISED PER ECO-16-004800	08SEP2016	NK	MZ



VIEW X-X
 TYPICAL
 SCALE 10:1

- 1 CAVITY IDENTIFICATION CHARACTERS ON FRONT AND REAR FACE.
- 2 .000030 MIN GOLD FOR A LENGTH OF .250 MIN FROM MATING END OVER .000050 MIN NICKEL.
- 3 .000100 MIN TIN-LEAD OVER .000050 MIN NICKEL ON THIS END.
- 4 .000100 MIN TIN OVER .000050 MIN NICKEL ON THIS END.



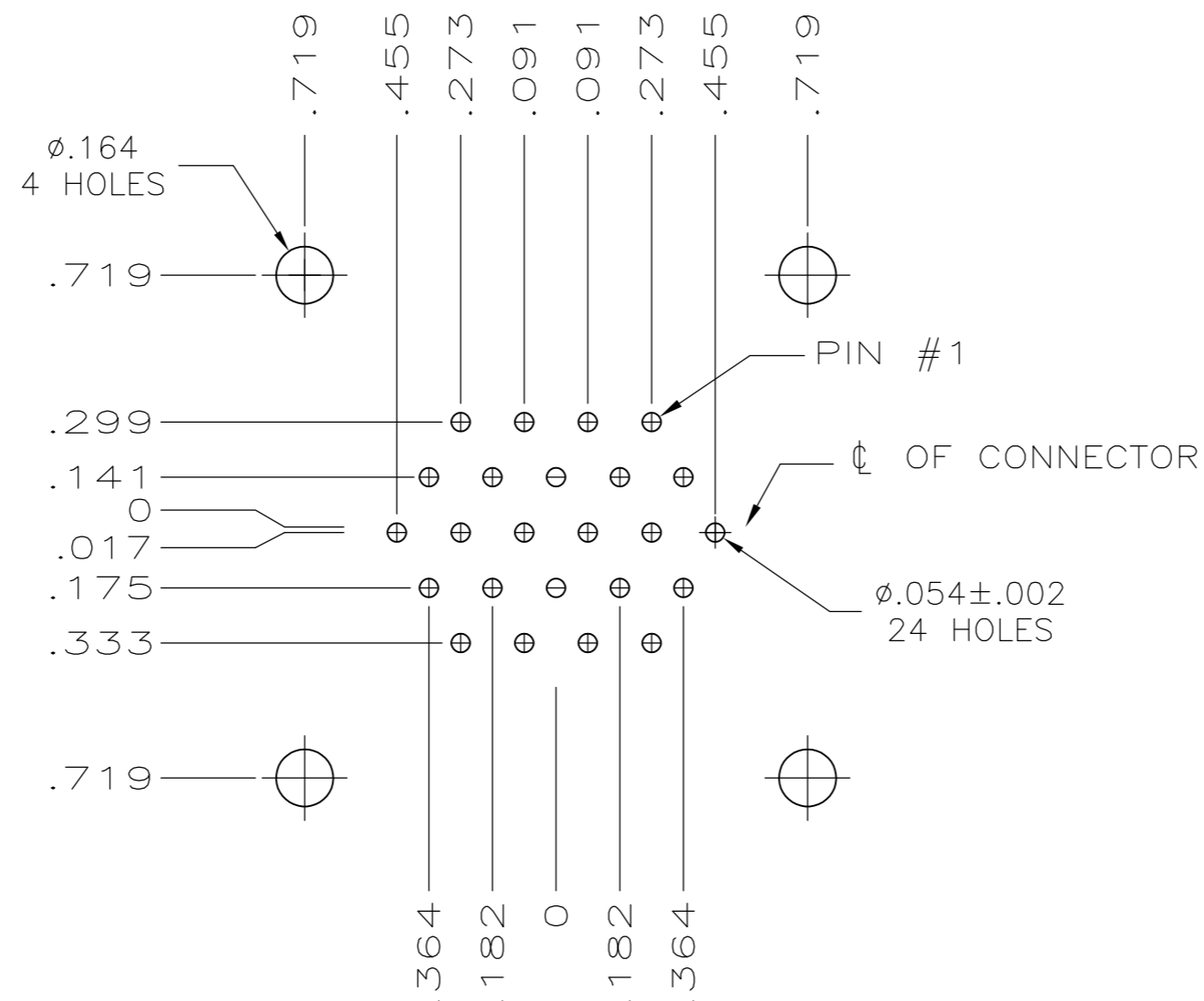
RECOMMENDED PANEL CUTOUT

POST FINISH	DIM L	PART NUMBER
4	.618	213798-3
3	.244	-213798-2-
3	.618	213798-1

THIS DRAWING IS A CONTROLLED DOCUMENT.		DWN D.BROCKWAY 06-30-94	TE Connectivity	
DIMENSIONS: INCHES		CHK R.STONE 07-06-94	RECEPTACLE ASSEMBLY, 23-24, STANDARD SEX, POSTED CONTACTS, CPC	
TOLERANCES UNLESS OTHERWISE SPECIFIED:		APVD -	NAME	
0 PLC ± -		PRODUCT SPEC 108-10024	SIZE A2	
1 PLC ± -		APPLICATION SPEC	CAGE CODE 00779	DRAWING NO C=213798
2 PLC ± .005		WEIGHT	RESTRICTED TO	
3 PLC ± -		CUSTOMER DRAWING	SCALE 2:1	SHEET 1 of 2
4 PLC ± -			REV D1	
ANGLES ± -				
FINISH				
MATERIAL PIN: BRASS RECEPTACLE: NYLON, BLACK				

THIS DRAWING IS UNPUBLISHED. RELEASED FOR PUBLICATION
 © COPYRIGHT - By - ALL RIGHTS RESERVED.

REVISIONS				
P	LTR	DESCRIPTION	DATE	APVD
-	-	SEE SHEET 1	-	-



RECOMMENDED P.C. BOARD LAYOUT

THIS DRAWING IS A CONTROLLED DOCUMENT.		DWN D.BROCKWAY 06-30-94	STE TE Connectivity	
DIMENSIONS: INCHES		CHK R.STONE 07-06-94		
TOLERANCES UNLESS OTHERWISE SPECIFIED:		APVD -	NAME	
0 PLC ± -		PRODUCT SPEC	RECEPTACLE ASSEMBLY, 23-24, STANDARD SEX, POSTED CONTACTS, CPC	
1 PLC ± -		APPLICATION SPEC	108-10024	
2 PLC ± .005		SIZE	CAGE CODE	DRAWING NO
3 PLC ± -		WEIGHT	A2	00779
4 PLC ± -		MATERIAL	C=213798	
ANGLES ± -		FINISH	SCALE 2:1 SHEET 2 OF 2 REV D1	
MATERIAL PIN: BRASS RECEPTACLE: NYLON, BLACK		RESTRICTED TO	-	
CUSTOMER DRAWING				

X-ON Electronics

Largest Supplier of Electrical and Electronic Components

Click to view similar products for [Standard Circular Connector](#) category:

Click to view products by [TE Connectivity](#) manufacturer:

Other Similar products are found below :

[5M2530B10P](#) [600259N006](#) [600273N007](#) [6134-336-13149](#) [6134-337-11149](#) [6134-337-2390](#) [6134-341-17149](#) [6280-4SG-516](#) [6280-7SG-3DC](#)
[6290](#) [6291A](#) [66200A-10](#) [680-SMG](#) [681-PMG](#) [CXS3102A14S2P](#) [CXS3102A181S](#) [7271-6SG-300](#) [7282-3PG-300-CH3](#) [75-474618-01S](#) [75-](#)
[474618-04P](#) [75-474618-04S](#) [799539-000](#) [MI8-SE](#) [805-005-07NF11-19PC](#) [805-005-07NF15-7PA](#) [8280-4PG-516](#) [8280-7PG-519](#) [8282-5PG-](#)
[519](#) [836783-1](#) [MP-4102-25P-C](#) [862256-1](#) [864019-2](#) [866857-1](#) [867865-1](#) [PT01SP-14-18P](#) [PT08P-14-5S](#) [120-1833-000](#)
[QCM019PC2DC012B](#) [1-2069279-1](#) [121583-0217](#) [121667-0020](#) [129591AU](#) [1000B BULK](#) [RD10A16-19-P6CS051/1](#) [RD10A20-31-](#)
[P8CS051/1](#) [RD16A14-12-S6CS051/2](#) [1301240290](#) [1301240347](#) [1301860202](#) [1301240268](#) [1301240275](#)