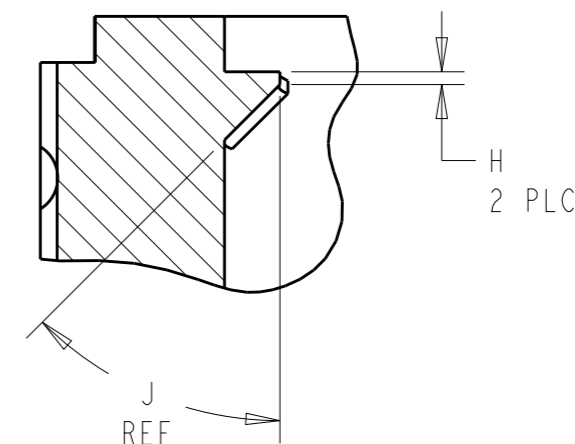
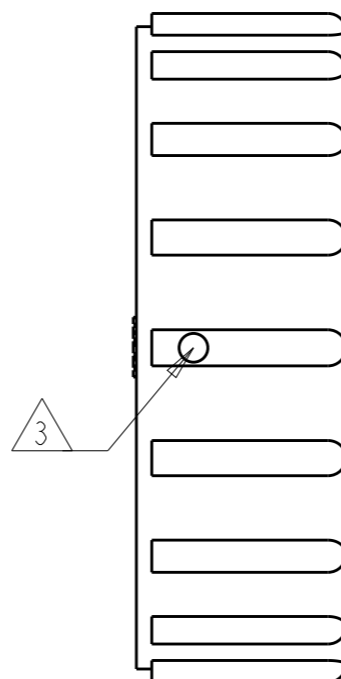
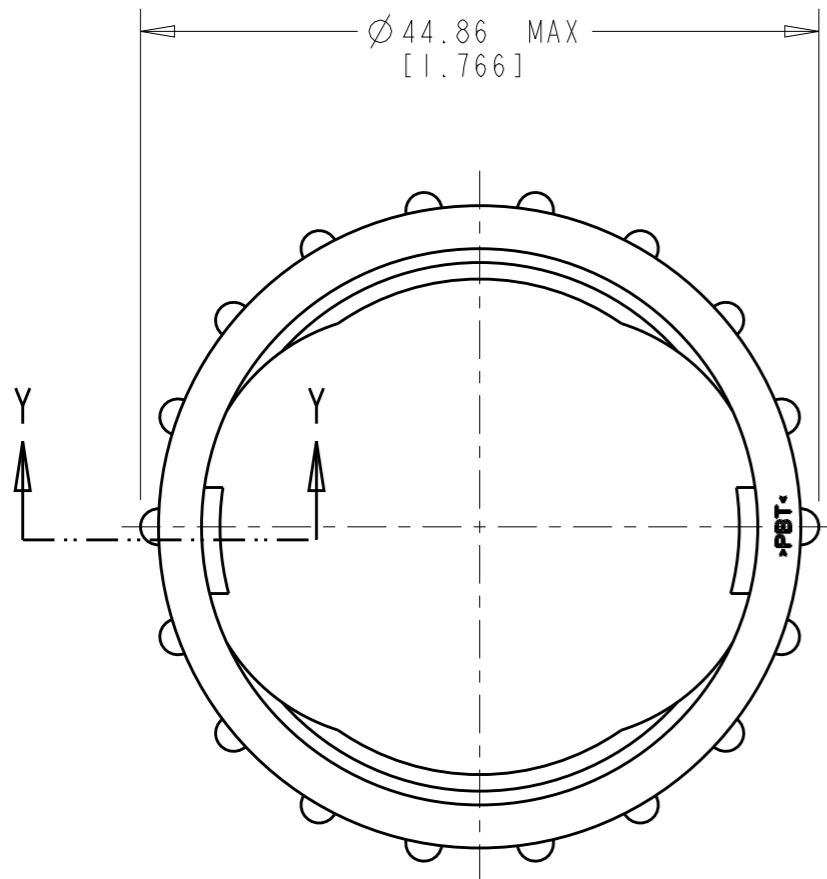


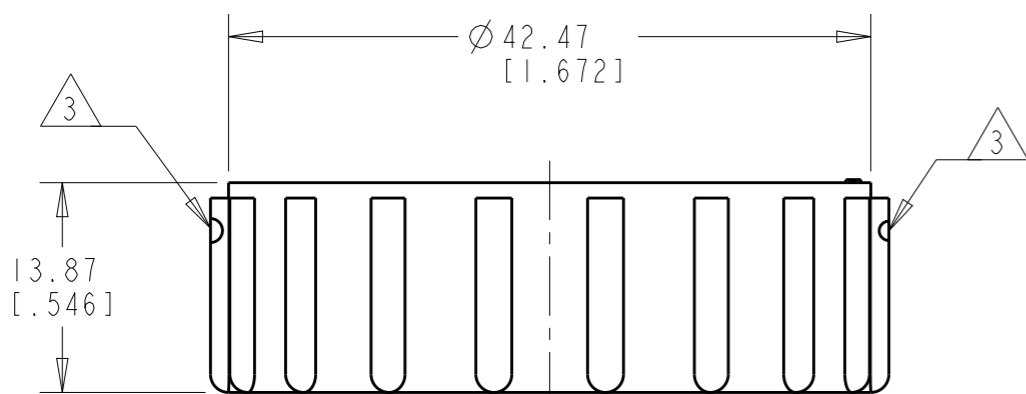
THIS DRAWING IS UNPUBLISHED. RELEASED FOR PUBLICATION  
 © COPYRIGHT 19 BY - ALL RIGHTS RESERVED.

REVISIONS

P	LTR	DESCRIPTION	DATE	DWN	APVD
C		REVISED EC 0G3B-0343-00	28JUL2000	SW	MC
D		REVISED EC 0G3B-0124-02	08AUG2003	SW	SH
E		REVISED EC 0G3B-0025-05	13JAN2005	SW	HW
F		REVISED PER ECO-17-000037	10MAR2017	RS	MZ



SECTION Y-Y  
SCALE 6:1



OBSOLETE	45°	0.28[.011]		213812-3
OBSOLETE	-	-		213812-2
	-	-		213812-1
	J	H	MATERIAL	PART NUMBER

- POLYESTER, BLACK.
- NYLON 6/6, NATURAL.
- ALIGNMENT DOT INK STAMPED ON BOTH SIDES IN APPROXIMATE AREA SHOWN.

THIS DRAWING IS A CONTROLLED DOCUMENT.		DWN C. DORWART 22OCT98	TE Connectivity	
DIMENSIONS: mm [INCHES]		CHK K. DOWHOWER 22OCT98		
TOLERANCES UNLESS OTHERWISE SPECIFIED:		APVD K. DOWHOWER 22OCT98	NAME COUPLING RING, SIZE 23, CPC	
		PRODUCT SPEC -	RESTRICTED TO -	
MATERIAL SEE TABLE		FINISH -	APPLICATION SPEC -	WEIGHT -
		SIZE A3	CAGE CODE 00779	DRAWING NO C-213812
		CUSTOMER DRAWING		SCALE 2:1
		SHEET 1 OF 1		REV F

## X-ON Electronics

Largest Supplier of Electrical and Electronic Components

*Click to view similar products for [Circular MIL Spec Strain Reliefs & Adapters](#) category:*

*Click to view products by [TE Connectivity](#) manufacturer:*

Other Similar products are found below :

[896227-000](#) [899170S004](#) [0113-023-000](#) [6000-063-0022](#) [CS6624-000](#) [620AB038Z136](#) [620AS001Z108](#) [620AS038Z112](#) [620AS038Z120](#)  
[620AS038Z132](#) [620FB038NF08](#) [620HA038NF09](#) [620HA038NF11](#) [620HA038NF13](#) [620HA038NF25](#) [620HB049NF17](#) [620HS038NF11](#)  
[620HS038Z121](#) [620HS042XM19](#) [620HS042XM25](#) [620HS048B17](#) [620MS064NF12](#) [620MS065Z107](#) [620MS065ZNU06](#) [627-123NF21-11](#)  
[627-125NF23-6](#) [630J041M06H](#) [630J041M20H](#) [637S010NF0212H](#) [637S010NF0416A](#) [640830-000](#) [659943-000](#) [66241-10A](#) [CW0597-000](#)  
[CW0598-000](#) [CW0948-000](#) [CY0122-000](#) [M85049/41-6A W/B](#) [M85049/42-12DS](#) [M85049/47N8](#) [M85049/51-1-14S](#) [M85049/51S16S](#)  
[M85049/60-1N16](#) [M85049/60-2G12W](#) [M85049/69-11N](#) [CZ3661-000](#) [D02922-000](#) [70.360.1628.0](#) [703797-000](#) [705825-000](#)