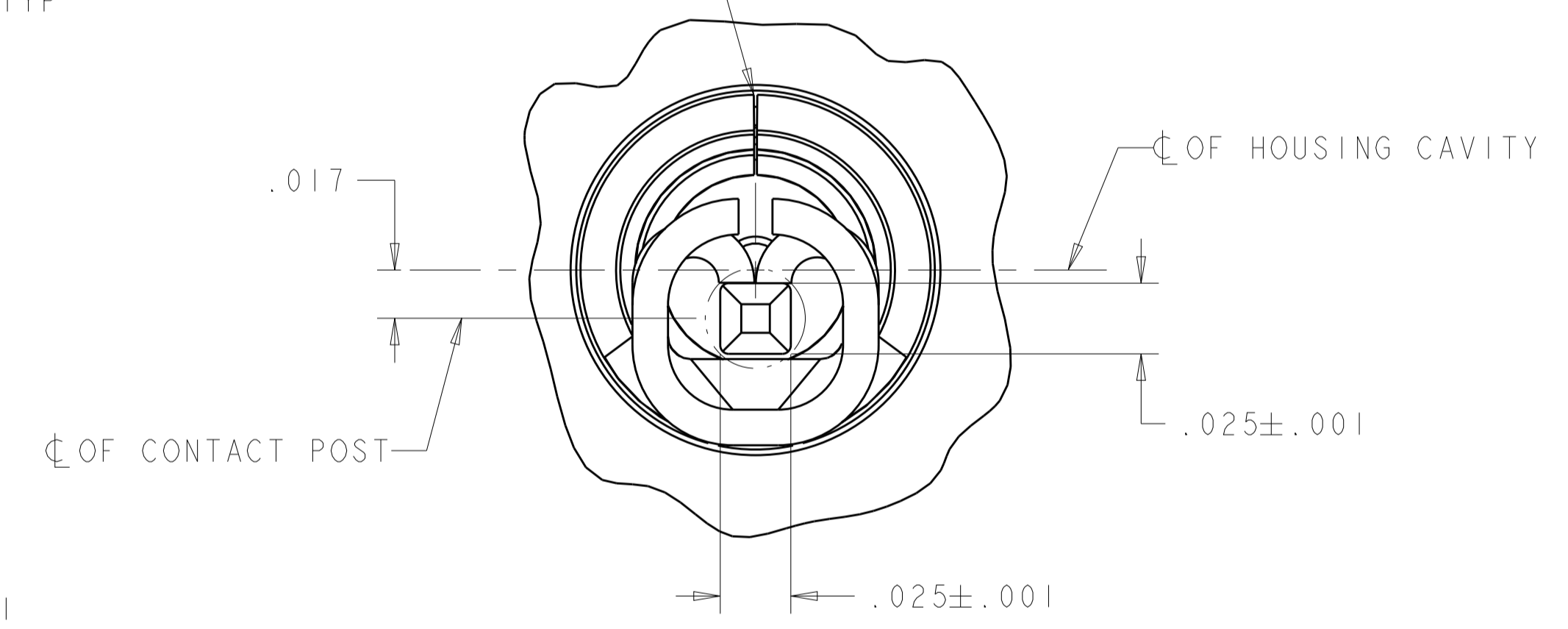
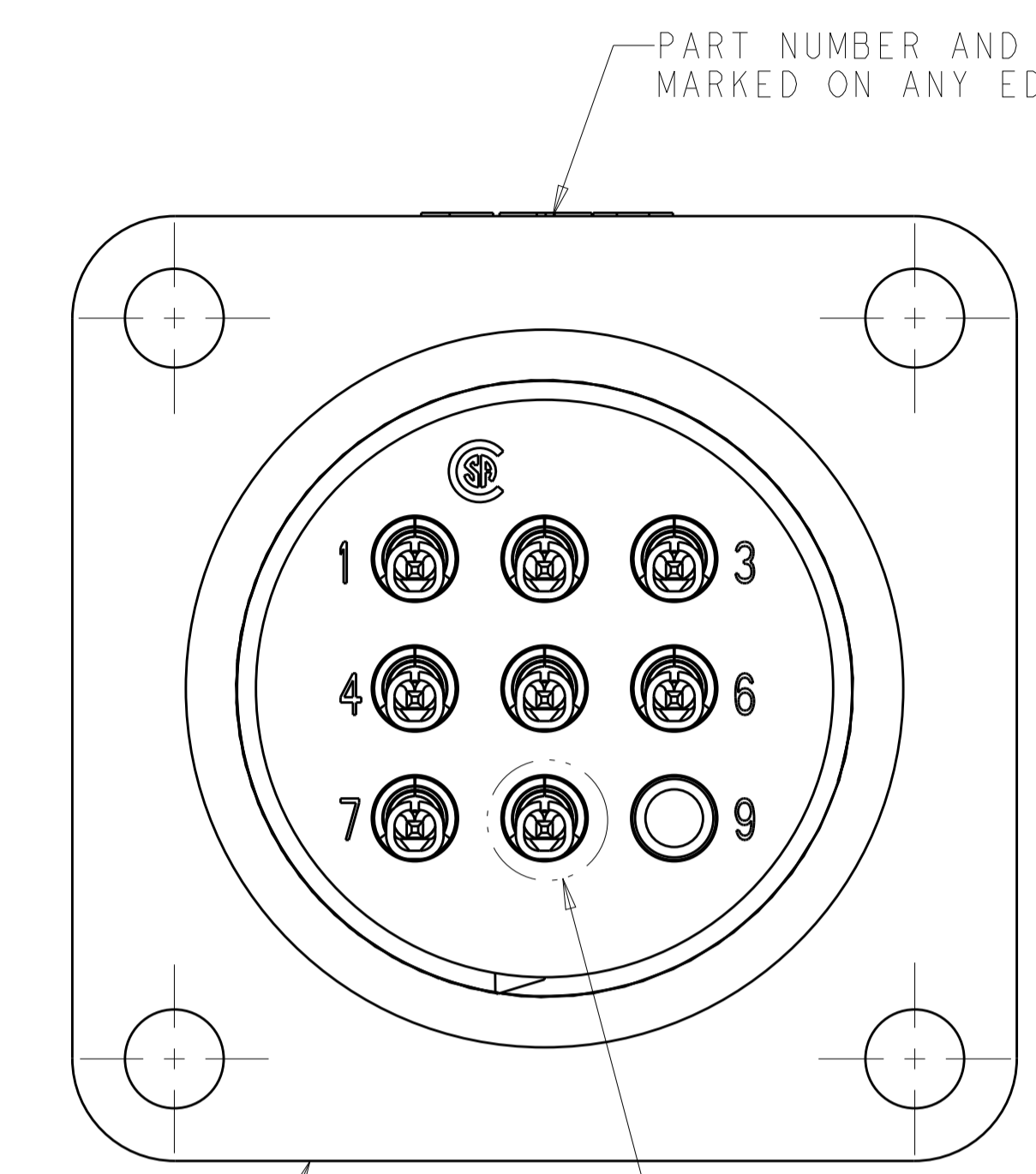
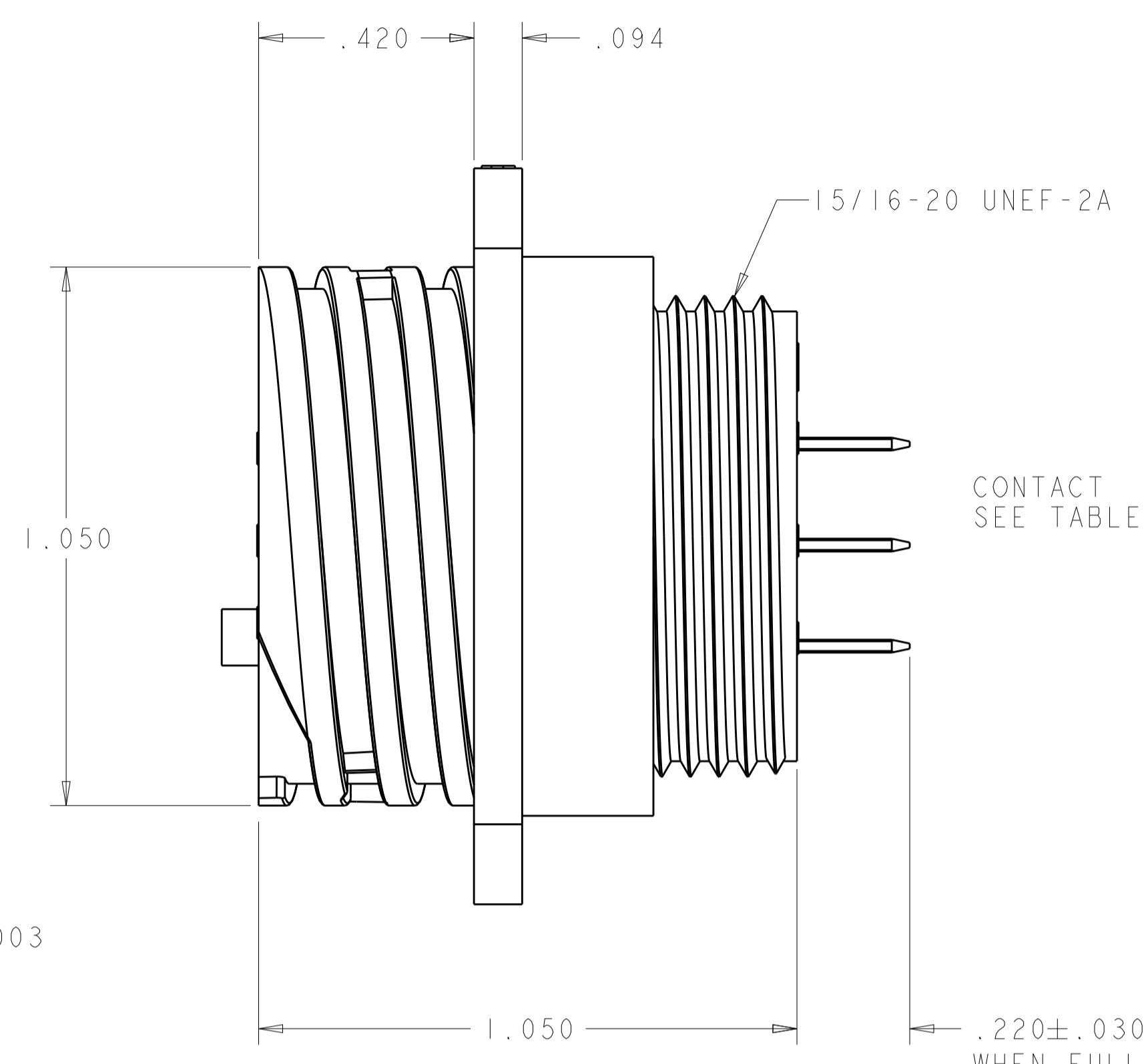
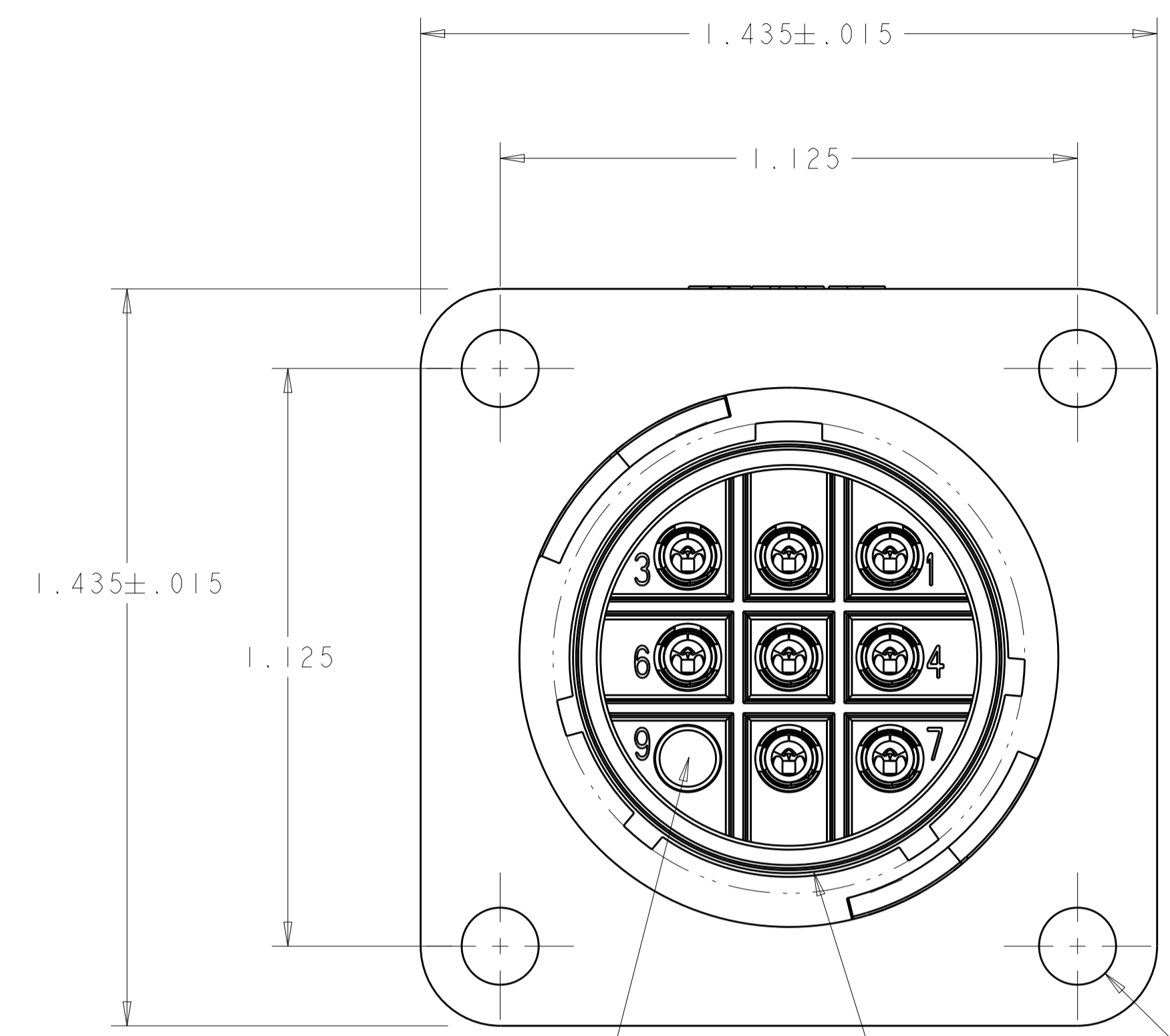
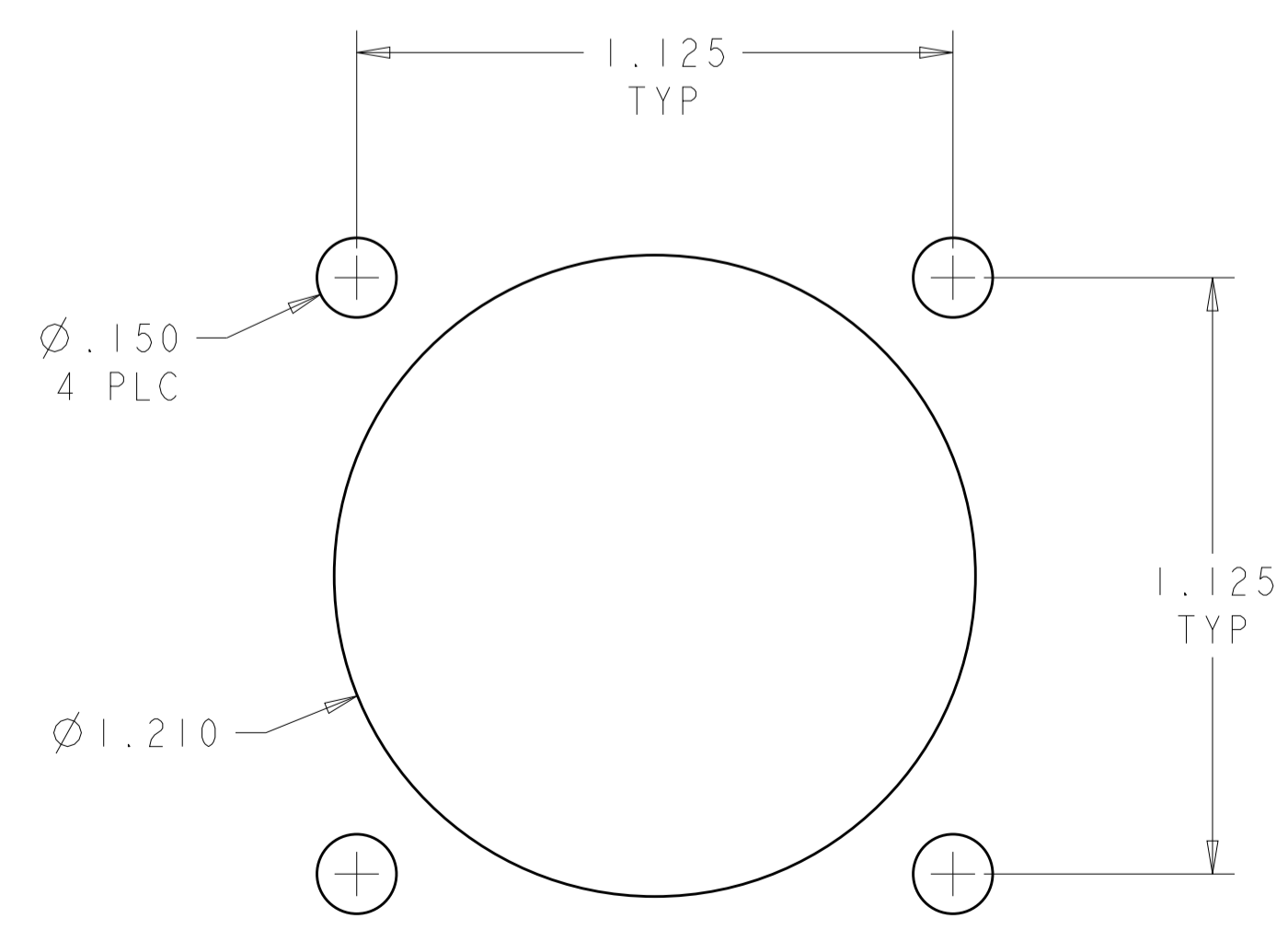
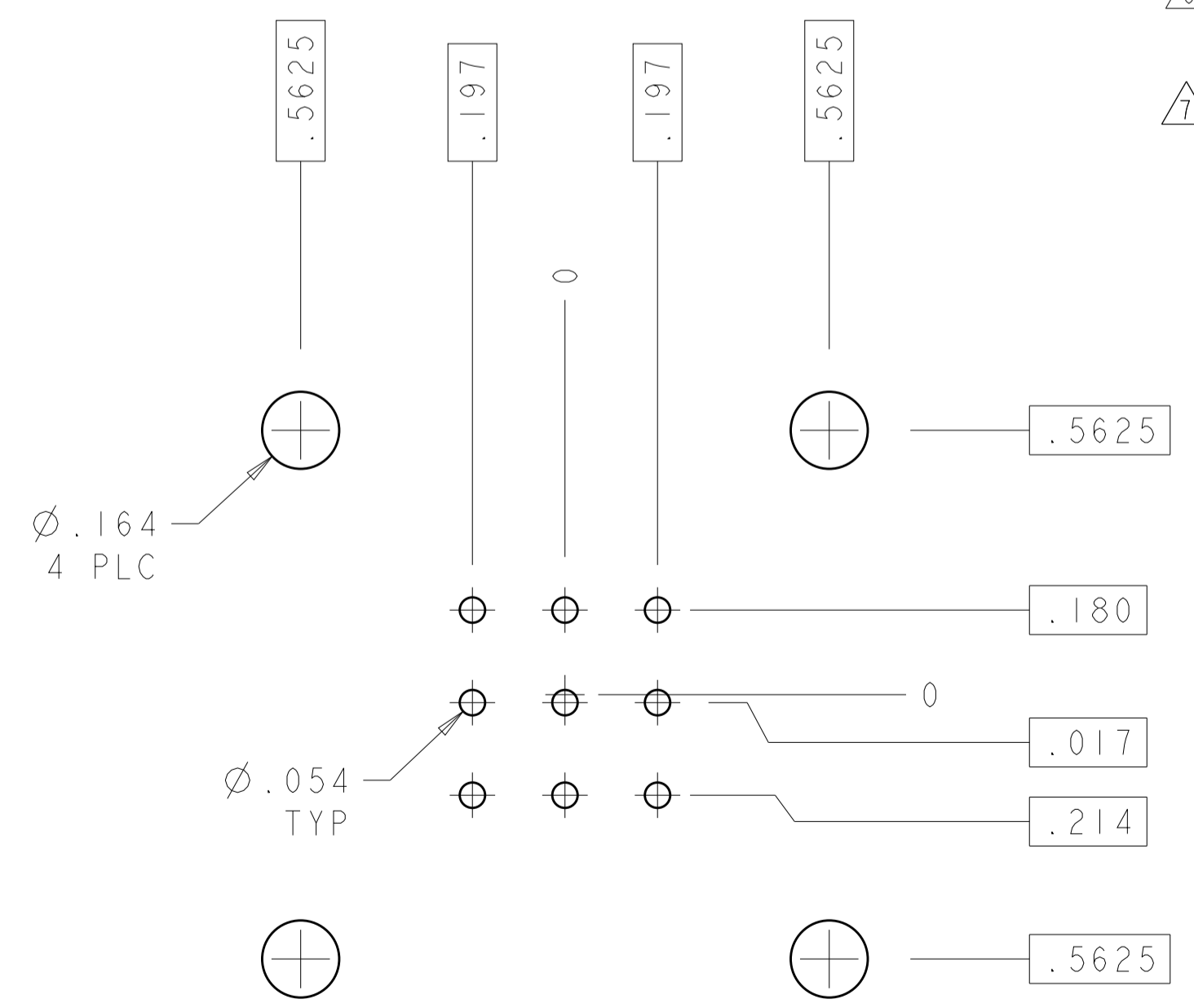


REVISIONS					
P	LTM	DESCRIPTION	DATE	DWN	APVD
P		ADDED 1-2, 1-3 ECO-06-002610	15FEB2006	SW	SH
P1		REVISED PER ECO-09-025699	12DEC2009	KK	AEG
R		REVISED PER ECO-19-011232	07AUG2019	RS	MZ



- ⚠ HOUSING: NYLON, UL 94 V-0 RATED, BLACK.
- ⚠ CONTACT:
BODY - BRASS, .000100 MIN TIN-LEAD OVER .000050 MIN NICKEL.
POST - BRASS, .000100 MIN TIN-LEAD OVER .000050 MIN NICKEL.
- ⚠ CONTACT:
BODY - BRASS, .000100 MIN TIN OVER .000050 MIN NICKEL.
POST - BRASS, .000100 MIN TIN OVER .000050 MIN NICKEL.
- ⚠ PERIPHERAL SEAL: ELASTOMER, BLACK.
- ⚠ KEYING PLUG: NYLON, NATURAL.
- ⚠ .009 MAXIMUM CONTACT LEAD-IN SEAM GAP PERMISSIBLE ON MATING FACE END.
- ⚠ OBSOLETE PARTS: OBSOLETE CIS STREAMLINING PER D.RENAUD/D.SINISI



KEYING PLUG	PERIPHERAL SEAL	FINISH	QTY	SELECT LOAD IN POSITIONS	PART NUMBER
⚠ POSN 9	YES	⚠ 8	8	1-8	1-213826-3
⚠ -	YES	⚠ 8	8	1-5, 7-9	1-213826-2
⚠ -	YES	⚠ 9	9	ALL	1-213826-1
⚠ POSN 9	YES	⚠ 8	8	1-8	1-213826-0
⚠ -	YES	⚠ 8	8	1-5, 7-9	213826-9
⚠ POSN 9	YES	⚠ 8	8	1-8	213826-8
⚠ -	YES	⚠ 8	8	1-5, 7-9	213826-7
⚠ POSN 9	YES	⚠ 8	8	1-8	213826-3
⚠ -	YES	⚠ 8	8	1-5, 7-9	213826-2
⚠ -	YES	⚠ 9	9	ALL	213826-1

RECOMMENDED PC BOARD LAYOUT
SCALE 3:1

RECOMMENDED PANEL LAYOUT
.125 MAX PANEL THICKNESS
SCALE 3:1

THIS DRAWING IS A CONTROLLED DOCUMENT.

DIMENSIONS: INCHES

TOLERANCES UNLESS OTHERWISE SPECIFIED:

0 PLC	±	
1 PLC	±0.0	
2 PLC	±0.010	
3 PLC	±0.010	
4 PLC	±0.010	
ANGLES	±0.0000	

MATERIAL: - FINISH: -

THIS DRAWING IS A CONTROLLED DOCUMENT.

DWN: S.WELDON 23MAY2003
CHK: S.HEADER 23MAY2003
APVD: S.HEADER 23MAY2003

NAME: RECEPTACLE ASSEMBLY, POSTED, REVERSE SEX, SERIES 1, 17-9, CPC

PRODUCT SPEC: 108-10024
APPLICATION SPEC: 114-10004

SIZE: 114-10004
WEIGHT: -

CUSTOMER DRAWING

SCALE: 4:1 SHEET: 1 OF 1 REV: R

X-ON Electronics

Largest Supplier of Electrical and Electronic Components

Click to view similar products for [Standard Circular Connector](#) category:

Click to view products by [TE Connectivity](#) manufacturer:

Other Similar products are found below :

[5M2530B10P](#) [600259N006](#) [600273N007](#) [6134-336-13149](#) [6134-337-11149](#) [6134-337-2390](#) [6134-341-17149](#) [6280-4SG-516](#) [6280-7SG-3DC](#)
[6290](#) [6291A](#) [66200A-10](#) [680-SMG](#) [681-PMG](#) [CXS3102A14S2P](#) [CXS3102A181S](#) [7251-5SG-300](#) [7271-6SG-300](#) [7282-3PG-300-CH3](#) [75-](#)
[474618-01S](#) [75-474618-04P](#) [75-474618-04S](#) [799539-000](#) [MI8-SE](#) [805-005-07NF11-19PC](#) [805-005-07NF15-7PA](#) [8280-4PG-516](#) [8280-7PG-](#)
[519](#) [8282-5PG-519](#) [836783-1](#) [MP-4102-25P-C](#) [862256-1](#) [864019-2](#) [866857-1](#) [867865-1](#) [PT01SP-14-18P](#) [PT08P-14-5S](#) [PTSF06SE-14-12S](#)
[120-1833-000](#) [QCM019PC2DC012B](#) [1-2069279-1](#) [121583-0217](#) [121667-0020](#) [129591AU](#) [1000B BULK](#) [RD10A16-19-P6CS051/1](#)
[RD10A20-31-P8CS051/1](#) [RD16A14-12-S6CS051/2](#) [1301240290](#) [1301240347](#) [1301860202](#)