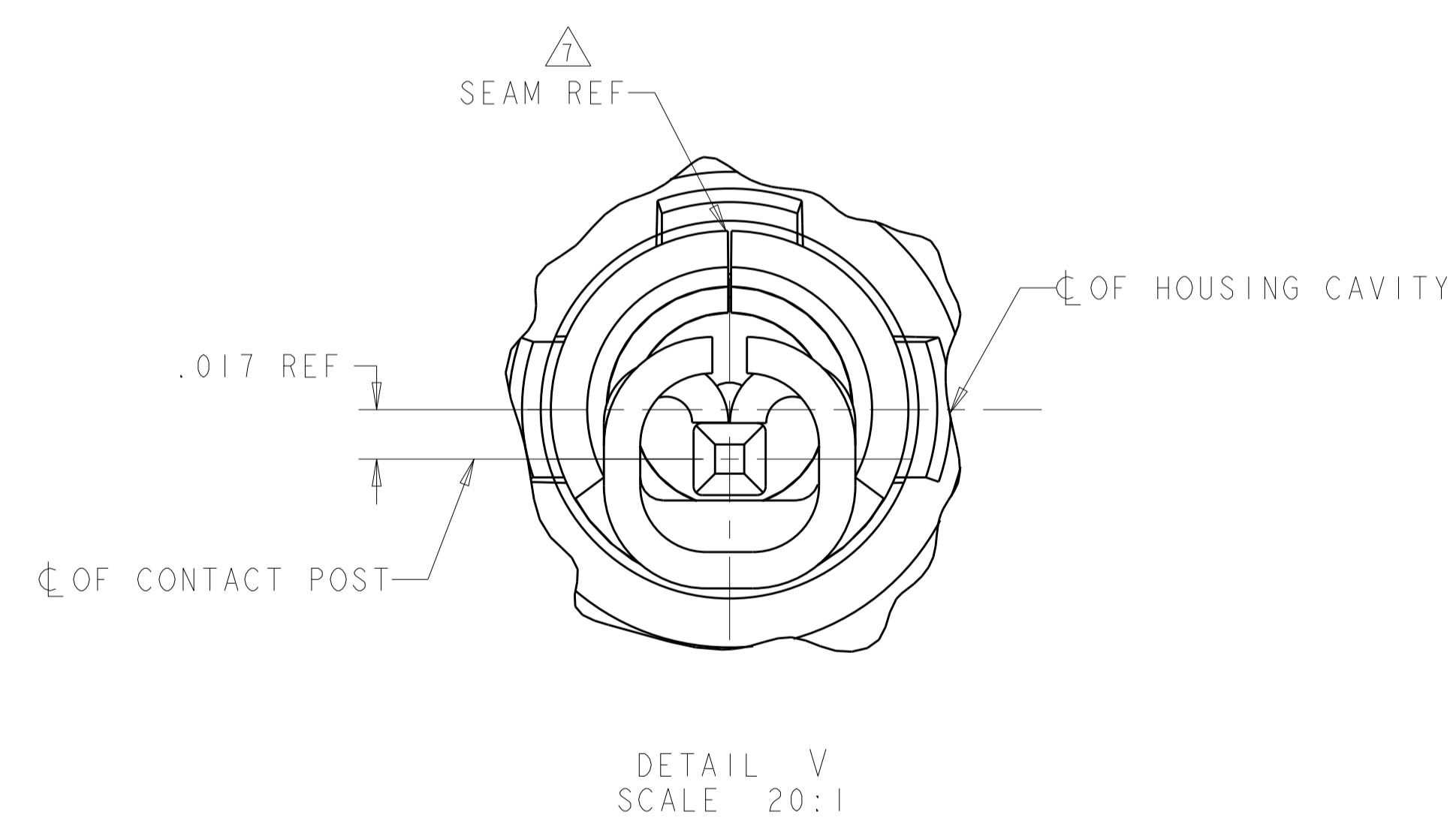
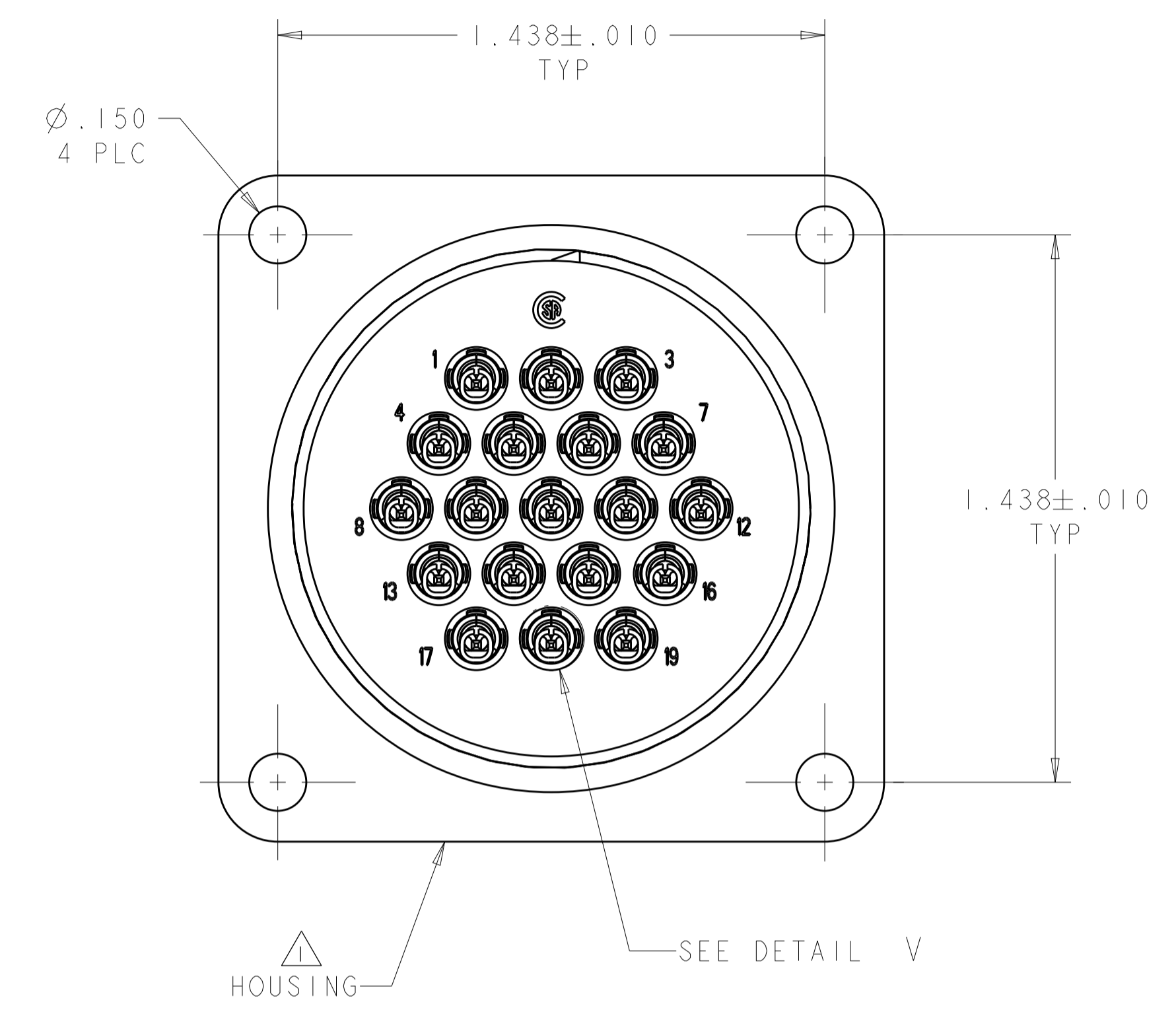
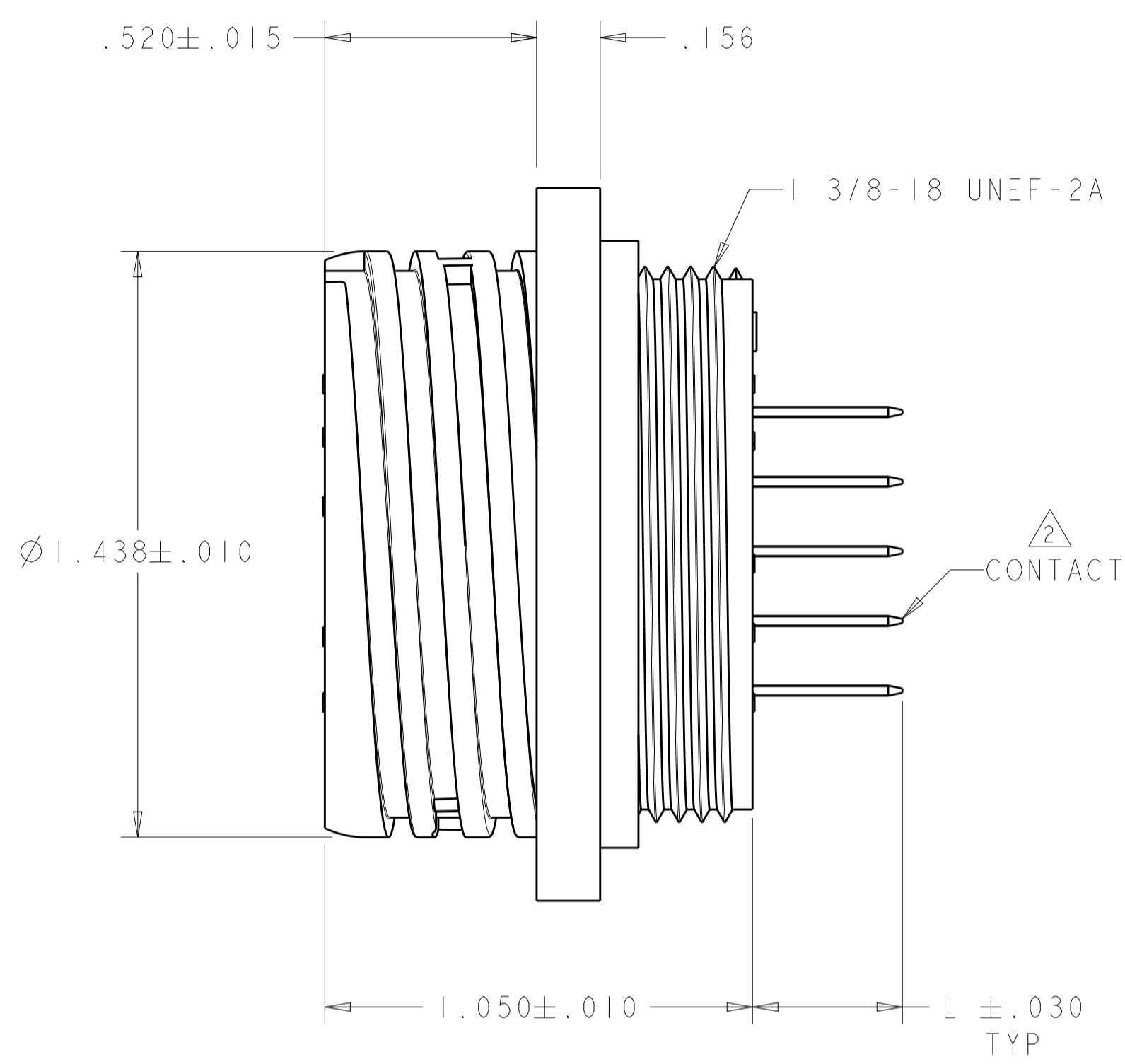
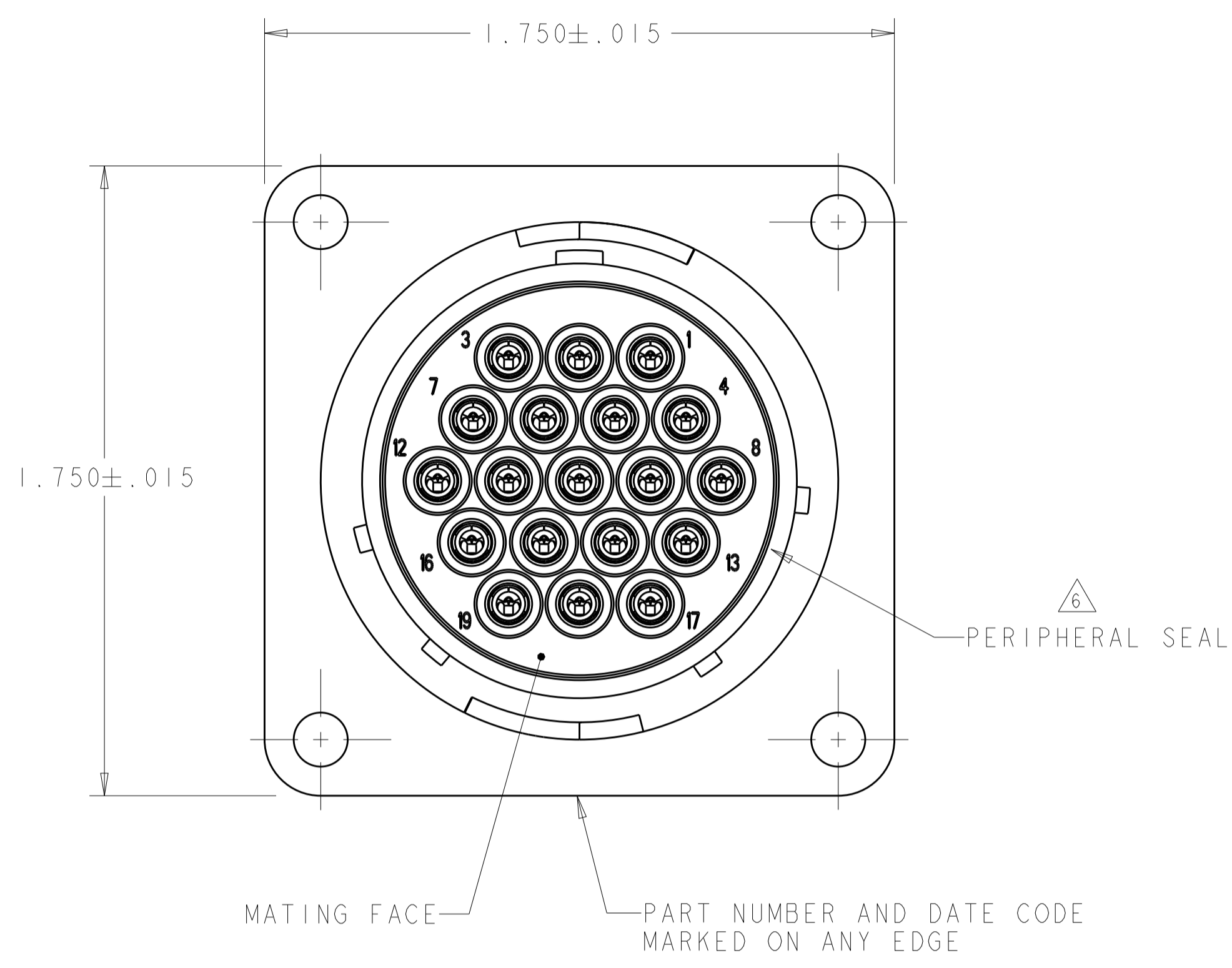


REVISIONS				
P.	LTN	DESCRIPTION	DATE	APVD
L2		REVISED PER ECO-16-004800	10SEP2016	NK MZ
M		REVISED PER ECO-16-018356	22MAR2017	RS MZ
N		REVISED PER ECO-19-004839	03APR2019	RS MZ
P		REVISED PER ECO-19-011232	08AUG2019	RS MZ



- ① HOUSING: NYLON, UL 94 V-0 RATED, COLOR: BLACK.
- ② CONTACT:
 BODY - BRASS, .000100 MIN TIN-LEAD OVER .000050 MIN NICKEL.
 POST - BRASS, .000100 MIN TIN-LEAD OVER .000050 MIN NICKEL.
- ③ CONTACT:
 BODY - BRASS, .000100 MIN TIN-LEAD OVER .000050 MIN NICKEL.
 POST - BRASS, .000030 MIN GOLD OVER .000050 MIN NICKEL.
- ④ CONTACT:
 BODY - BRASS, .000030 MIN GOLD OVER .000030 MIN NICKEL.
 POST - BRASS, .000100 MIN TIN-LEAD OVER .000050 MIN NICKEL.
- ⑤ CONTACT:
 BODY - BRASS, .000100 MIN TIN OVER .000050 MIN NICKEL.
 POST - BRASS, .000100 MIN TIN OVER .000050 MIN NICKEL.
- ⑥ PERIPHERAL SEAL - ELASTOMER, COLOR: BLACK.
- ⑦ .009 MAXIMUM CONTACT LEAD-IN SEAM GAP PERMISSIBLE ON MATING FACE END.
- ⑧ OBSOLETE PARTS: OBSOLETE CIS STREAMLINING PER D.RENAUD/D.SINISI

	.368	⑤	YES	ALL	213827-8
OBSOLETE	.368	⑤	YES	1-8, 10-19	213827-7
OBSOLETE	.368	②	NO	ALL	213827-6
OBSOLETE	.119	④	NO	ALL	213827-5
OBSOLETE	.368	③	YES	ALL	213827-4
	.368	②	YES	1-8, 10-19	213827-2
OBSOLETE	.368	②	YES	ALL	213827-1
	L		CONTACT FINISH	PERIPHERAL SEAL	SELECT LOADED IN POSITIONS
					PART NUMBER

THIS DRAWING IS A CONTROLLED DOCUMENT. DWN S. WELDON ZIMAY2003
 CHK S. HEADER ZIMAY2003
 APVD S. HEADER ZIMAY2003

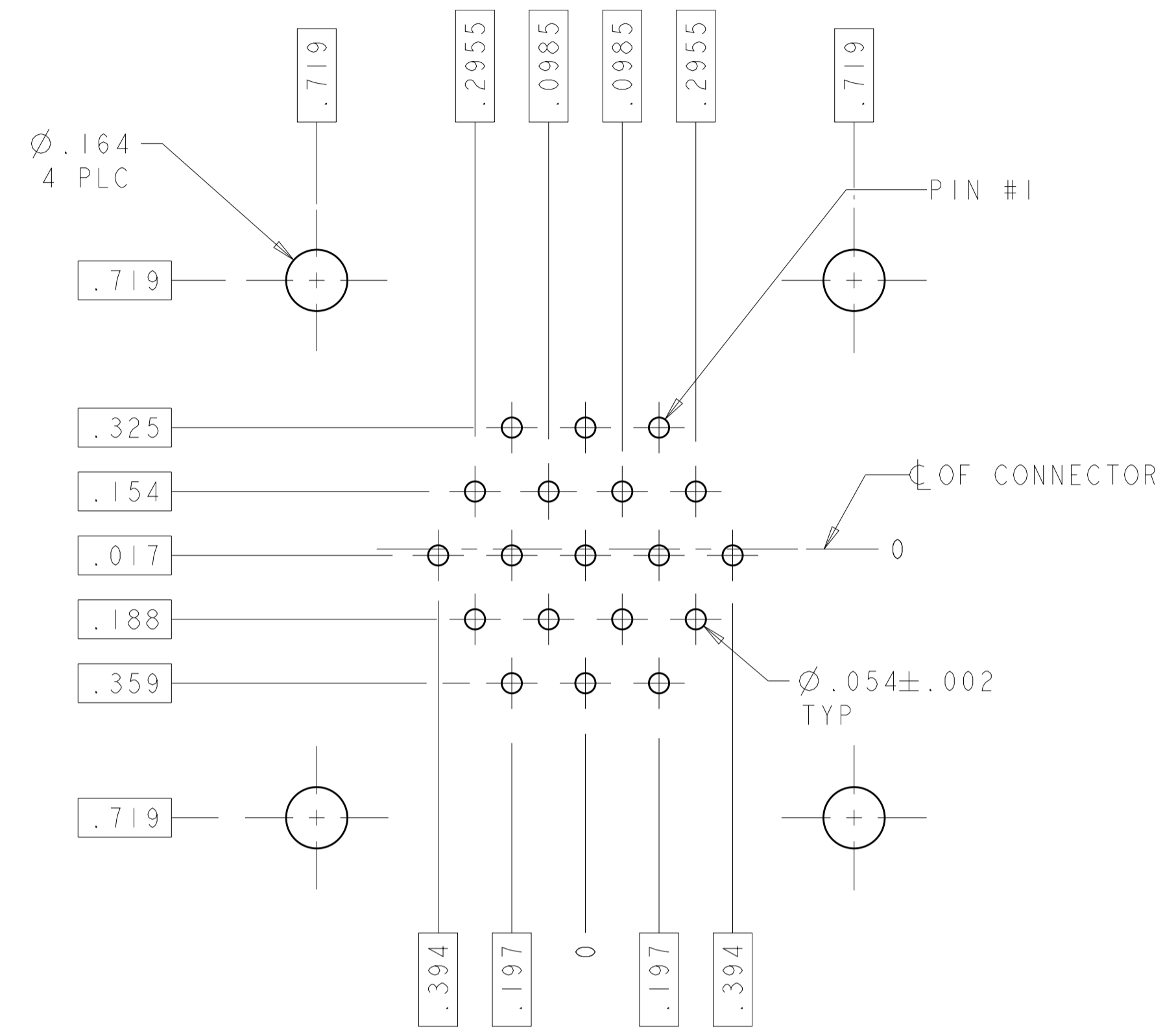
TE TE Connectivity

NAME RECEPTACLE ASSEMBLY, POSTED, REVERSE SEX, SERIES 1, 23-19, CPC

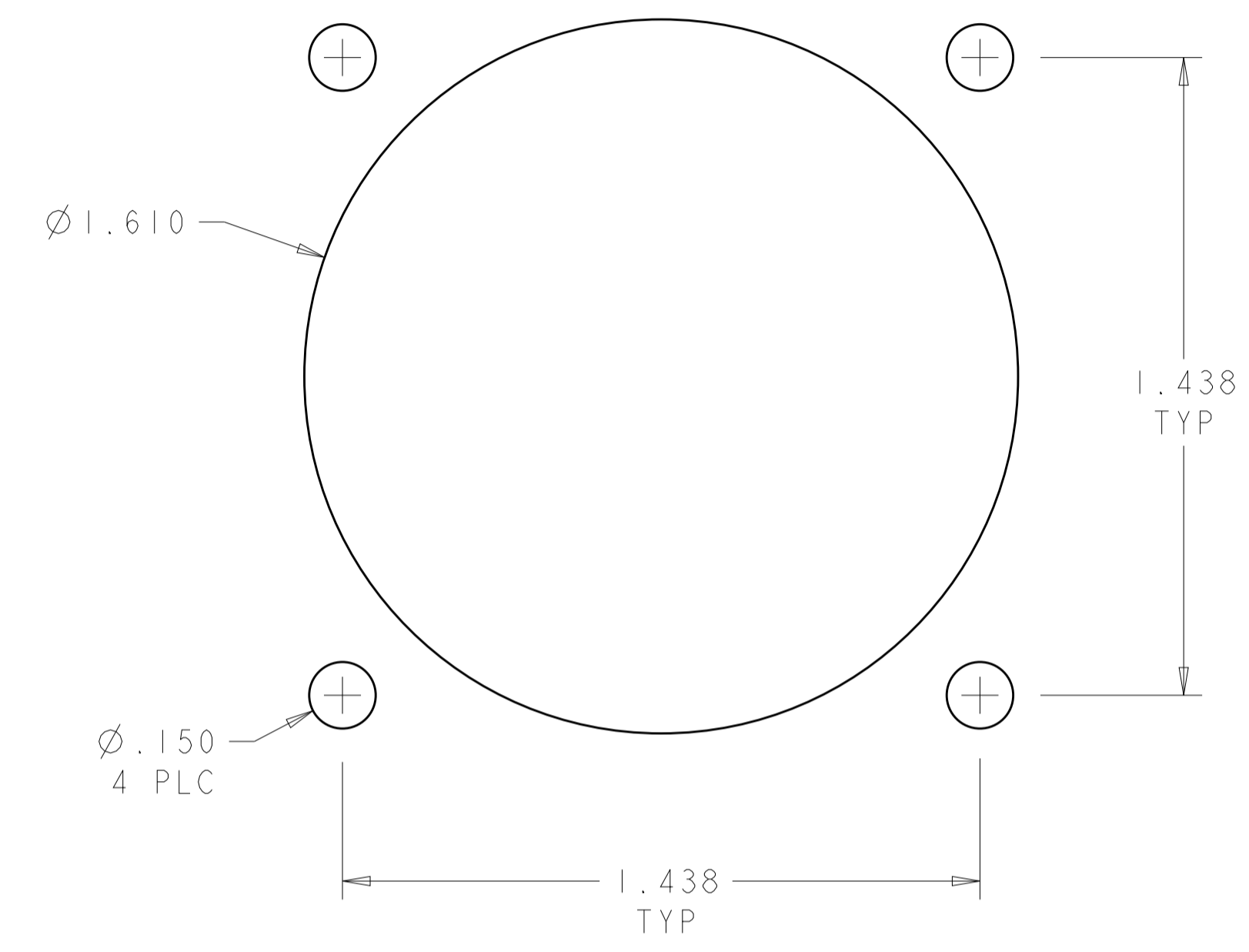
SIZE A1 CAGE CODE 100779 DRAWING NO. 213827

CUSTOMER DRAWING SCALE 3:1 SHEET 1 OF 2 REV P

REVISIONS				
P.	LTN	DESCRIPTION	DATE	APVD
-	-	SEE SHEET 1	-	-



RECOMMENDED PC BOARD LAYOUT



RECOMMENDED PC BOARD LAYOUT
 .125 MAX PANEL THICKNESS

THIS DRAWING IS A CONTROLLED DOCUMENT.		DWN S. WELDON	ZIMAY2003	TE Connectivity
DIMENSIONS: INCHES		CHK S. HEADER	ZIMAY2003	
TOLERANCES UNLESS OTHERWISE SPECIFIED: 0 PLC ±.0 2 PLC ±0.00 3 PLC ±0.010 4 PLC ±0.0000 ANGLES ±.		APVD S. HEADER	ZIMAY2003	NAME RECEPTACLE ASSEMBLY, POSTED, REVERSE SEX, SERIES 1, 23-19, CPC
MATERIAL		WEIGHT		SIZE A100779C=213827
FINISH		CUSTOMER DRAWING		RESTRICTED TO SCALE 3:1 SHEET 2 OF 2 REV P

X-ON Electronics

Largest Supplier of Electrical and Electronic Components

Click to view similar products for [Standard Circular Connector](#) category:

Click to view products by [TE Connectivity](#) manufacturer:

Other Similar products are found below :

[C015](#) [10F006](#) [001](#) [1](#) [5M2530B10P](#) [600259N006](#) [600273N007](#) [600432N009](#) [6280-2PG-519](#) [6280-3PG-311](#) [6280-3SG-311](#) [6280-7SG-3DC](#)
[6280-7SG-522](#) [6282-2SG-321](#) [6282-5PG-311](#) [6282-6PG-519](#) [6282-8SG-311](#) [6283-11](#) [6283-15](#) [6290](#) [6382-2PG-311](#) [6382-2PG-3DC](#) [6382-](#)
[2SG-321](#) [6382-2SG-3DC](#) [6382-4SG-516](#) [680-SMG](#) [681-PMG](#) [CXS3102A14S2P](#) [CXS3102A181S](#) [CXS3106A14S6S](#) [D38999/20FC8SA L/C](#)
[MB12P-1](#) [7251-2PG-300](#) [7251-2SG-300](#) [7251-4PG-300](#) [7251-4SG-300](#) [7251-5PG-300](#) [7251-5SG-300](#) [7251-6SG-300](#) [7251-7PG-300](#) [7251-](#)
[8PG-300](#) [7271-6SG-300](#) [7282-3PG-300-CH3](#) [7282-8PG-3ES](#) [73000005663](#) [75-190216-08S](#) [75-190218-10P](#) [75-474618-01S](#) [75-474620-07P](#)
[799539-000](#) [MI8-SE](#) [80-190222-18P](#) [805-005-07NF11-19PC](#)