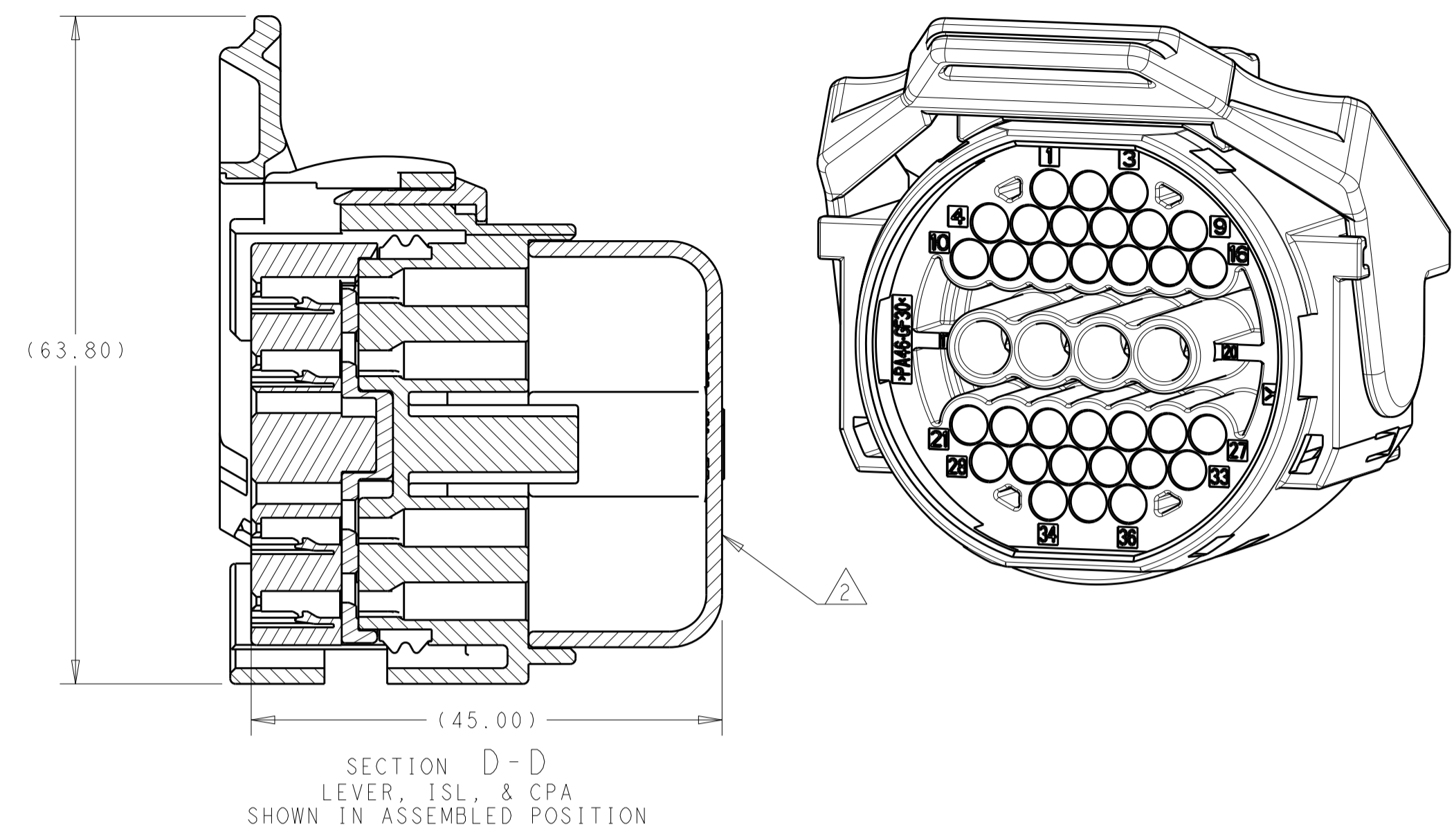
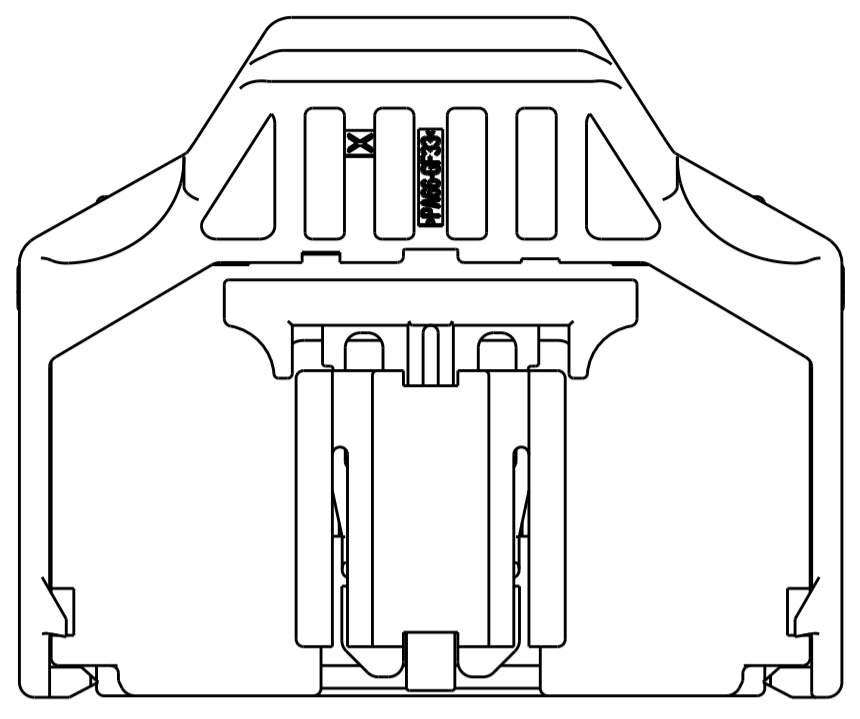
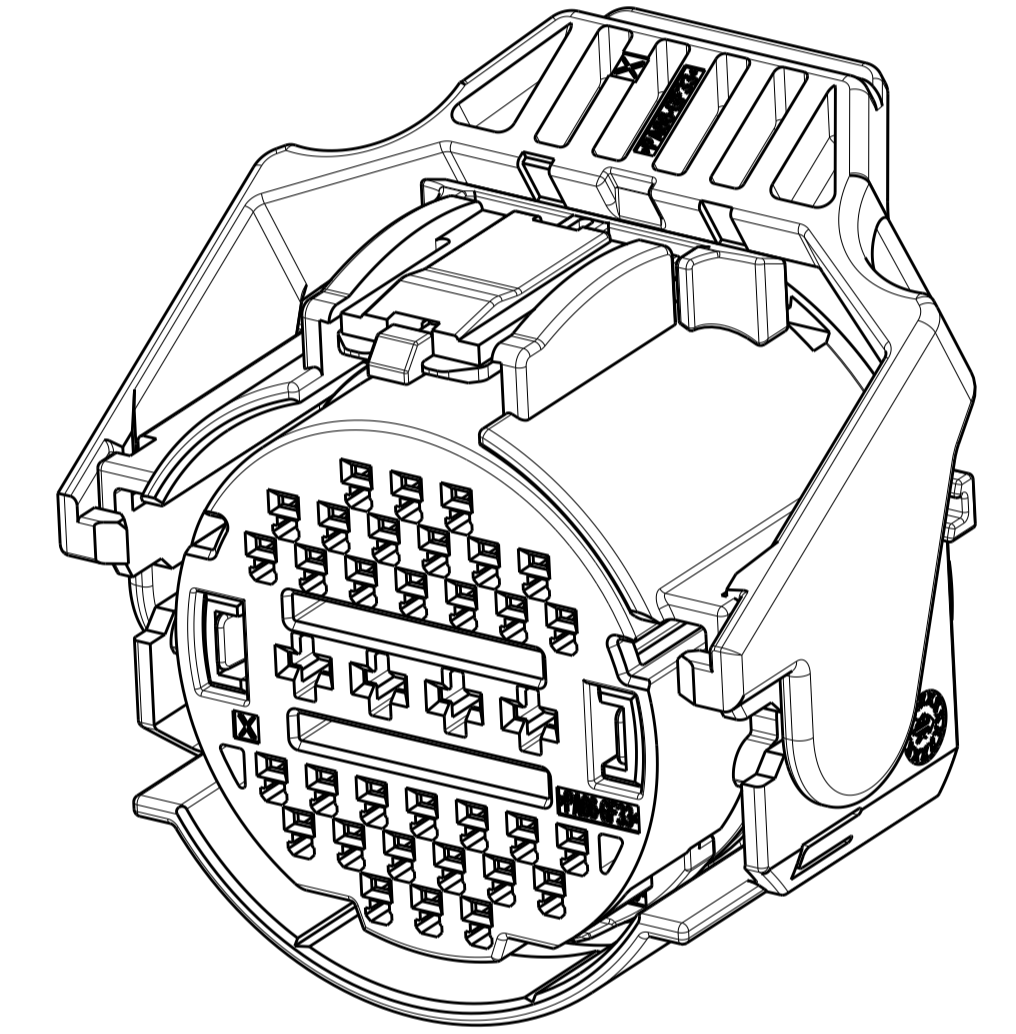
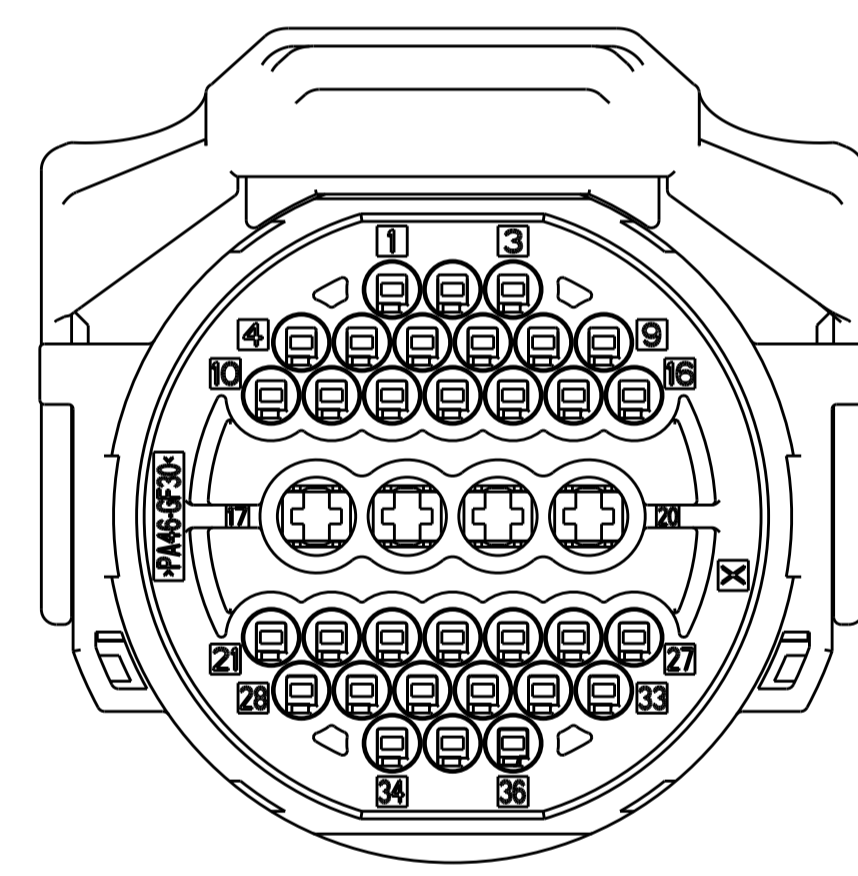
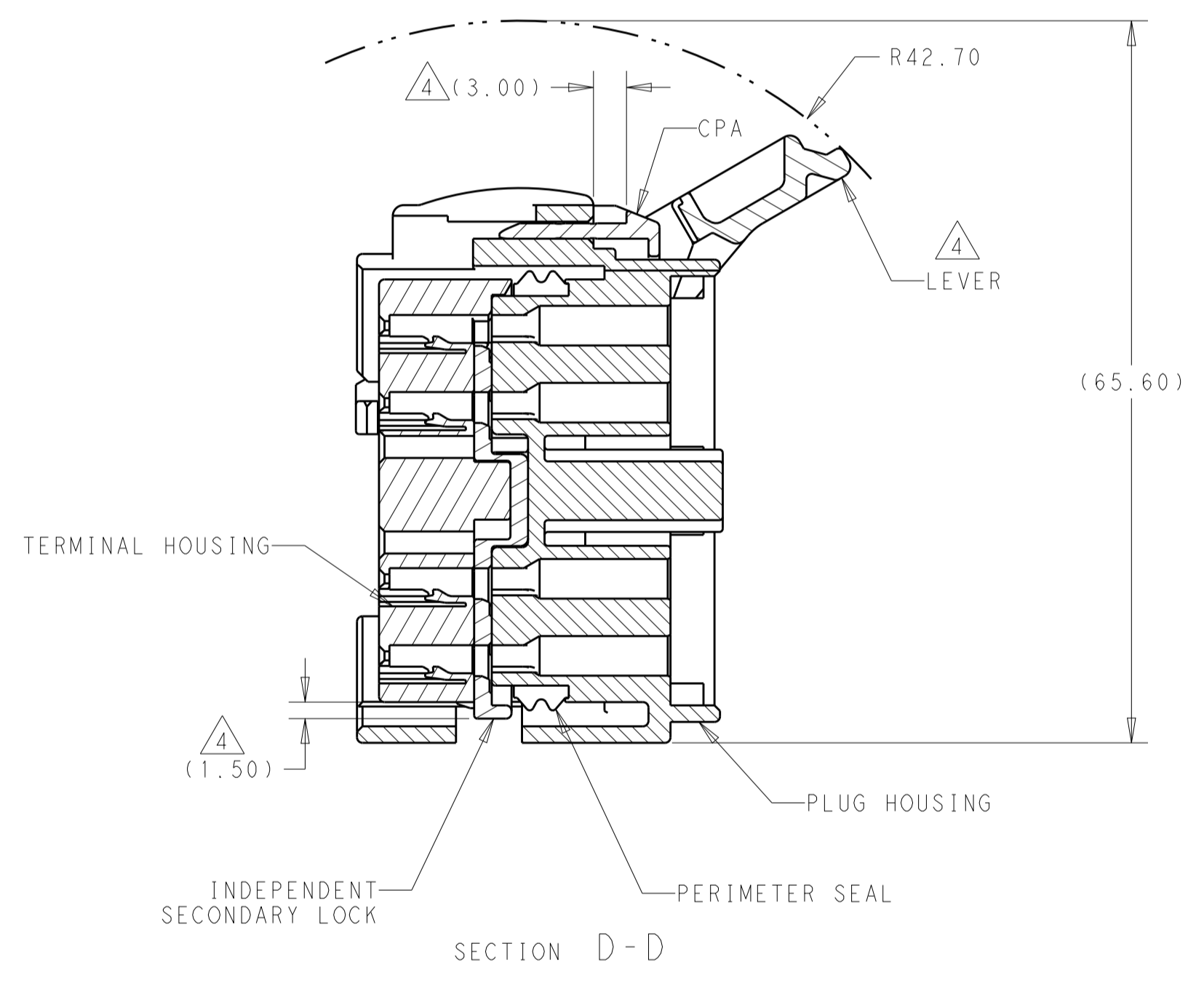
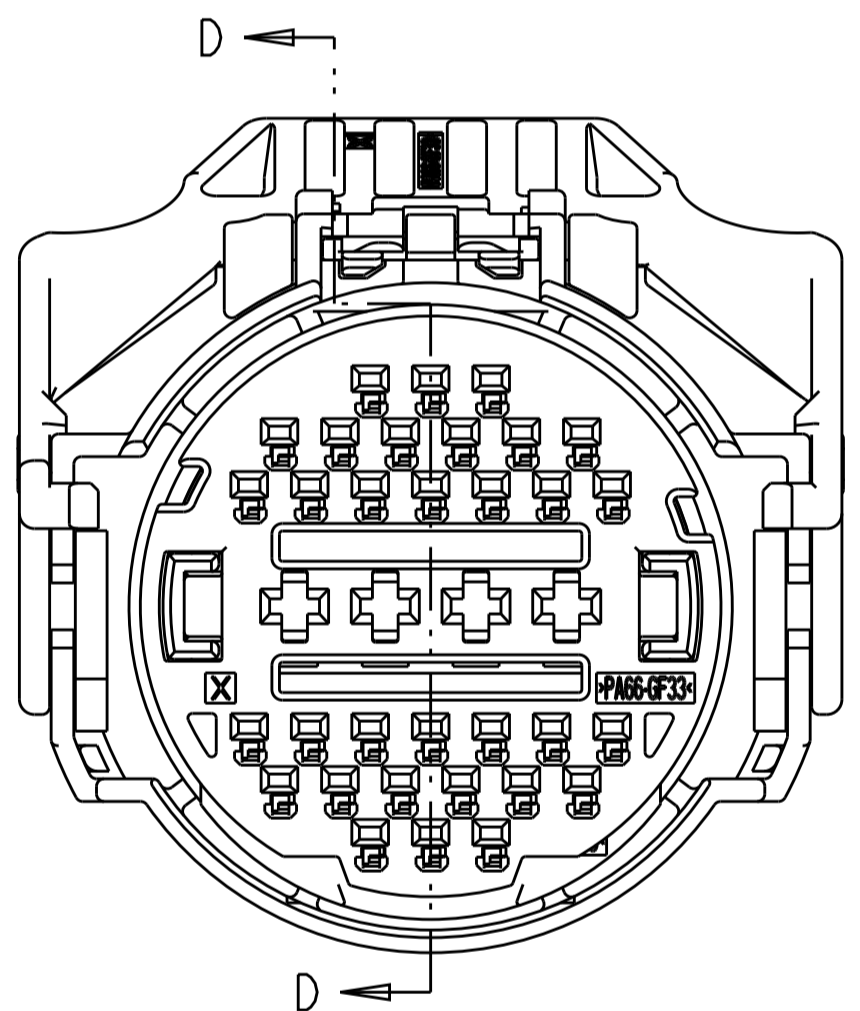


| REVISONS | | DATE | OWN | APVD |
|----------|---------------------------|-----------|-----|------|
| 2 | REV PER ECO-12-003474 | 23FEB2012 | MBH | RH |
| 3 | REV PER ECO-12-004619 | 08MAR2012 | MBH | RH |
| A | REV PER ECO-13-005117 | 28MAR2013 | VP | RH |
| A1 | REVISED PER ECO-20-012096 | 27AUG2020 | CN | HC |

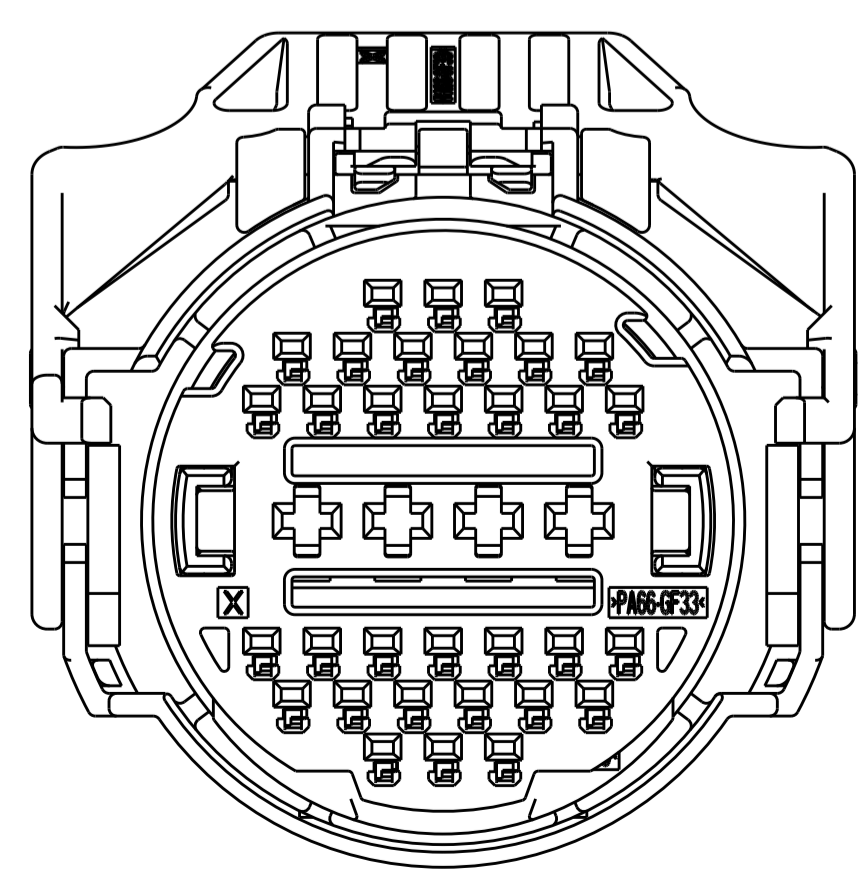
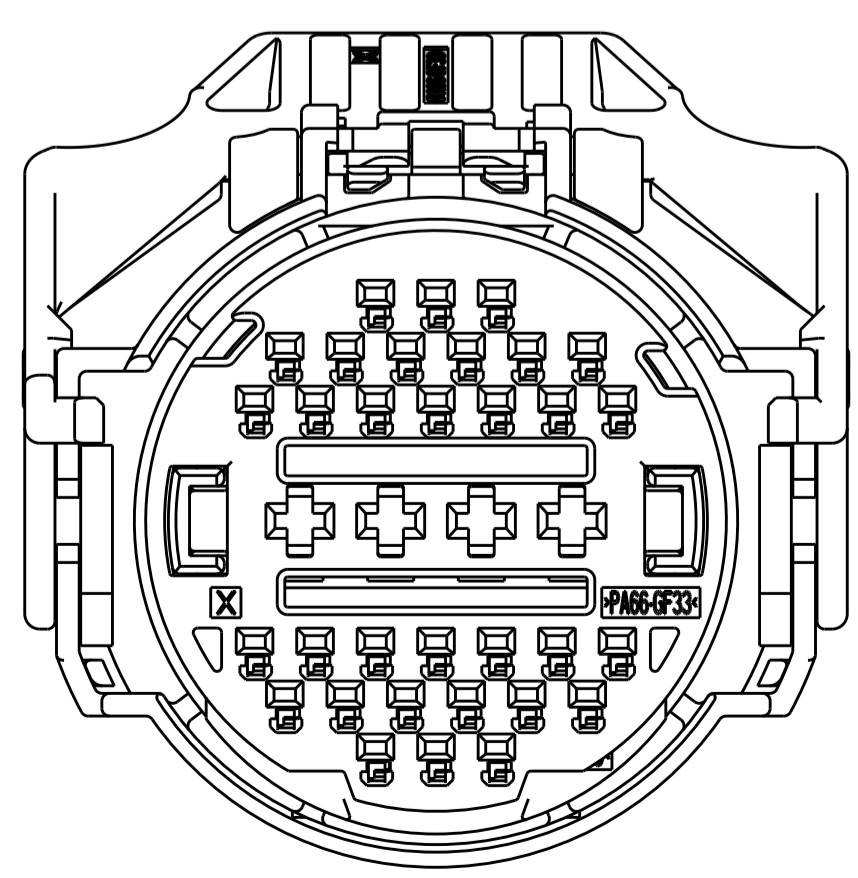
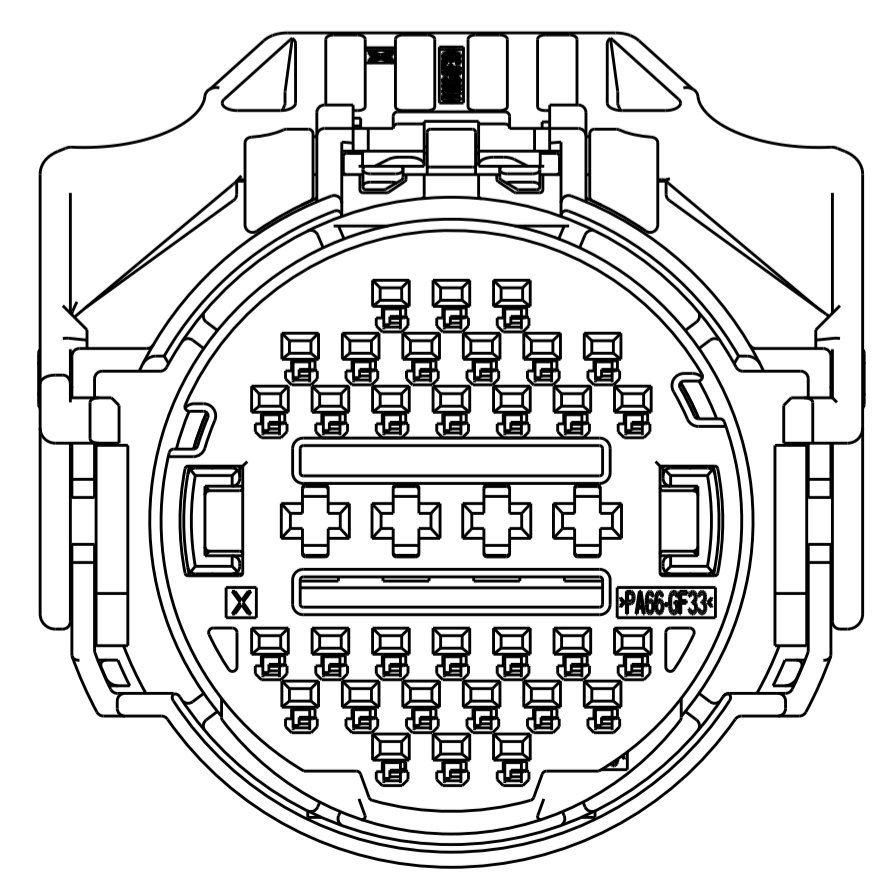
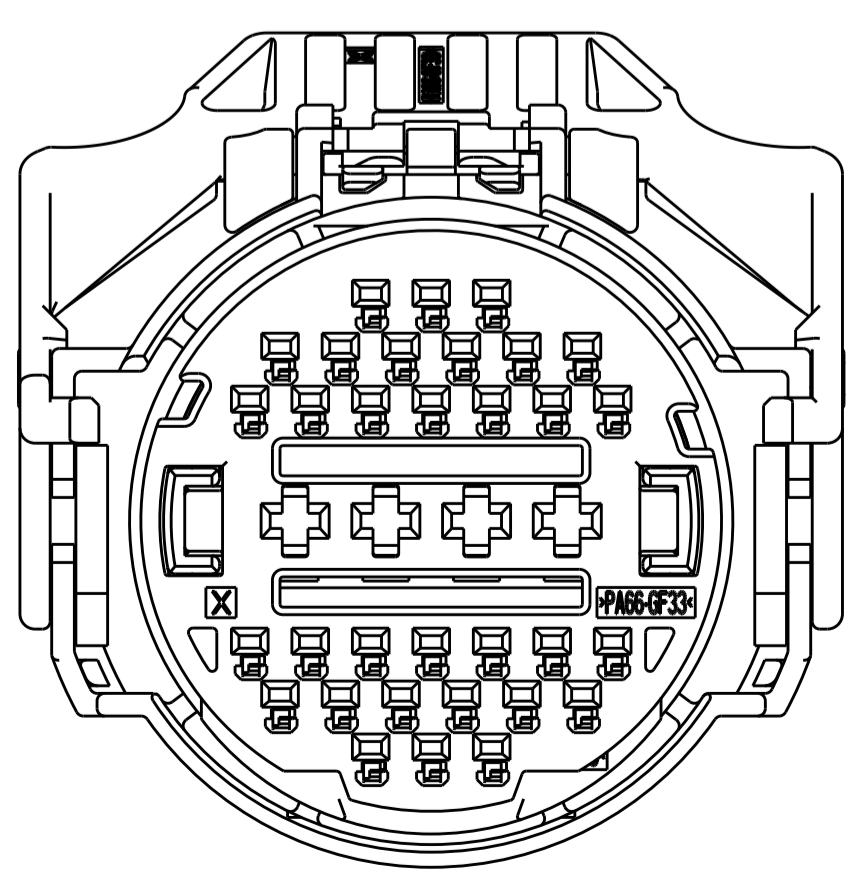


| TE PART # | FINISH | WIRE SIZE | DESCRIPTION |
|-----------|--------|--------------------------|---------------------|
| 1418844-1 | Sn | 0.25-0.35mm ² | MCON 1.2 RECEPTACLE |
| | Sn | 22AWG | MCON 1.2 RECEPTACLE |
| 1670146-1 | Sn | 0.50-0.75mm ² | MCON 1.2 RECEPTACLE |
| 1418850-1 | Sn | 1.0-1.5mm ² | MCON 1.2 RECEPTACLE |
| 1241392-1 | Sn | 0.20-0.35mm ² | MCP 2.8K RECEPTACLE |
| 1241394-1 | Sn | 0.50-1.00mm ² | MCP 2.8K RECEPTACLE |
| 1241396-1 | Sn | 1.00-2.50mm ² | MCP 2.8K RECEPTACLE |

| WIRE SEAL # | INSULATION RANGE | TERMINAL SYSTEM |
|-------------|------------------|-----------------|
| 967067-2 | 0.9-1.4 | MCON 1.2 |
| 967067-1 | 1.4-2.1 | |
| 963294-1 | 1.2-2.0 | MCP 2.8K |
| 963293-1 | 2.0-2.7 | |
| 963292-1 | 2.7-3.0 | |



- MATERIAL:
 PLUG HOUSING: NYLON 46 30% GLASS FILLED, BLACK.
 TERMINAL HOUSING: NYLON 6/6, 33% GLASS FILLED, BLACK
 ISL: PBT 15% GLASS FILLED, RED
 LEVER: NYLON 6/6, 33% GLASS FILLED, NATURAL
 CPA: PBT 15% GLASS FILLED, RED
 PERIMETER SEAL: SILICONE
- WIRE DRESS, TE PART # 2138319-1, TO BE PURCHASED SEPERATELY.
- APPLICABLE TERMINALS: SEE TABLE
- LEVER, CPA, & ISL SHOWN IN SHIPPING POSITION, UNLESS OTHERWISE NOTED.
- 2138314-1 KEYING OPTION "A" SHOWN IN GENERAL VIEWS.
- THE CONNECTOR SHOWN MATES WITH THE FOLLOWING TE CAP CONNECTOR. CONSULT FACTORY FOR ADDITIONAL MATING CONNECTOR OPTIONS. 2138338-* (SEE SEPERATE DRAWING FOR APPROPRIATE DASH NUMBER)



| KEY | NUMBER OF OPEN CIRCUITS | 36 | 35 | 34 | 33 | 32 | 31 | 30 | 29 | 28 | 27 | 26 | 25 | 24 | 23 | 22 | 21 | 20 | 19 | 18 | 17 | 16 | 15 | 14 | 13 | 12 | 11 | 10 | 9 | 8 | 7 | 6 | 5 | 4 | 3 | 2 | 1 | ASSEMBLY PART # |
|-----|-------------------------|----|----|----|----|----|----|----|----|----|----|----|----|----|----|----|----|----|----|----|----|----|----|----|----|----|----|----|---|---|---|---|---|---|---|---|-------------|-----------------|
| A | 25 | | | | | | | | | | | | | | | | | | | | | | | | | | | | | | | | | | | | 1-2138314-1 | |
| A | 22 | 36 | 35 | 34 | 33 | | | | | | | | | | | | | | | | | | | | | | | | | | | | | | | | | 1-2138314-0 |
| A | 28 | | | | | | | | | | | | | | | | | | | | | | | | | | | | | | | | | | | | 2138314-9 | |
| A | 24 | 36 | 35 | 34 | 33 | | | | | | | | | | | | | | | | | | | | | | | | | | | | | | | | 2138314-8 | |
| A | 29 | 36 | | | 33 | | | | | | | | | | | | | | | | | | | | | | | | | | | | | | | | 2138314-7 | |
| A | 32 | 36 | | | 33 | | | | | | | | | | | | | | | | | | | | | | | | | | | | | | | | 2138314-6 | |
| A | 27 | 36 | | | 33 | | | | | | | | | | | | | | | | | | | | | | | | | | | | | | | | 2138314-5 | |
| D | 36 | | | | | | | | | | | | | | | | | | | | | | | | | | | | | | | | | | | | 2138314-4 | |
| C | 36 | | | | | | | | | | | | | | | | | | | | | | | | | | | | | | | | | | | | 2138314-3 | |
| B | 36 | | | | | | | | | | | | | | | | | | | | | | | | | | | | | | | | | | | | 2138314-2 | |
| A | 36 | | | | | | | | | | | | | | | | | | | | | | | | | | | | | | | | | | | | 2138314-1 | |

THIS DRAWING IS A CONTROLLED DOCUMENT.

DIMENSIONS: mm

TOLERANCES UNLESS OTHERWISE SPECIFIED:

0 PLC ±0.0
 1 PLC ±0.3
 2 PLC ±0.1
 3 PLC ±0.05
 4 PLC ±0.0

ANGLES: ±0.0

MATERIAL: - FINISH: -

APPROVED: R. HETRICK

DATE: 10MAY2011

NAME: R. HETRICK

PRODUCT SPEC: - APPLICATION SPEC: -

WEIGHT: -

Customer Drawing

SCALE: 2:1

SHEET 1 OF 1

REV A1

STE TE Connectivity

36P SEALED HYBRID (32X 1.2, 4X 2.8) PLUG ASSEMBLY

SIZE: A1 00779 C=2138314

X-ON Electronics

Largest Supplier of Electrical and Electronic Components

Click to view similar products for [Automotive Connectors](#) category:

Click to view products by [TE Connectivity](#) manufacturer:

Other Similar products are found below :

[003-018-000](#) [60403001](#) [60993906-B](#) [M902-2131](#) [M902-2161](#) [72.330.1035.1](#) [73.353.4028.0](#) [F119300-B](#) [F166900](#) [F258300-B](#) [F358300-B](#)
[F407400](#) [F444110](#) [F487000](#) [F509500B-B](#) [827153-1](#) [8N1515-32-24P](#) [9-1326729-8](#) [925474-1](#) [928905-1](#) [964562-4](#) [968782-1](#) [GT17SA-8DS-](#)
[HU](#) [98891-1012](#) [98947-1016](#) [12004147](#) [12004475-L](#) [12010290](#) [12010309-B](#) [12015454](#) [12020219-B](#) [12020308](#) [12041318-B](#) [12052225-L](#)
[12052466](#) [12059125](#) [12064869](#) [12004327-B](#) [12010503-B](#) [12015308](#) [12015384](#) [12015909](#) [1-21030-1](#) [12041254](#) [12041318](#) [12047946-B](#)
[12047957](#) [12047957-L](#) [12059473](#) [12066261](#)